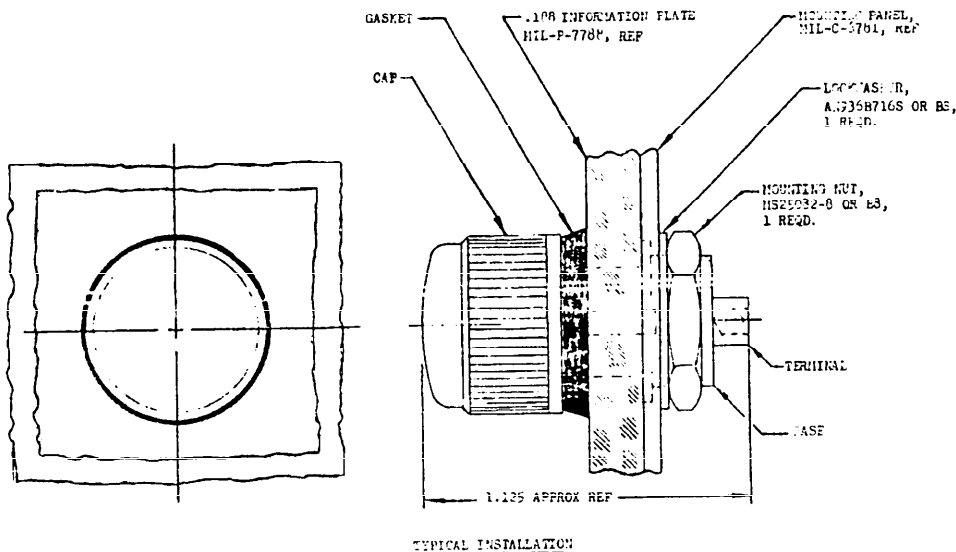
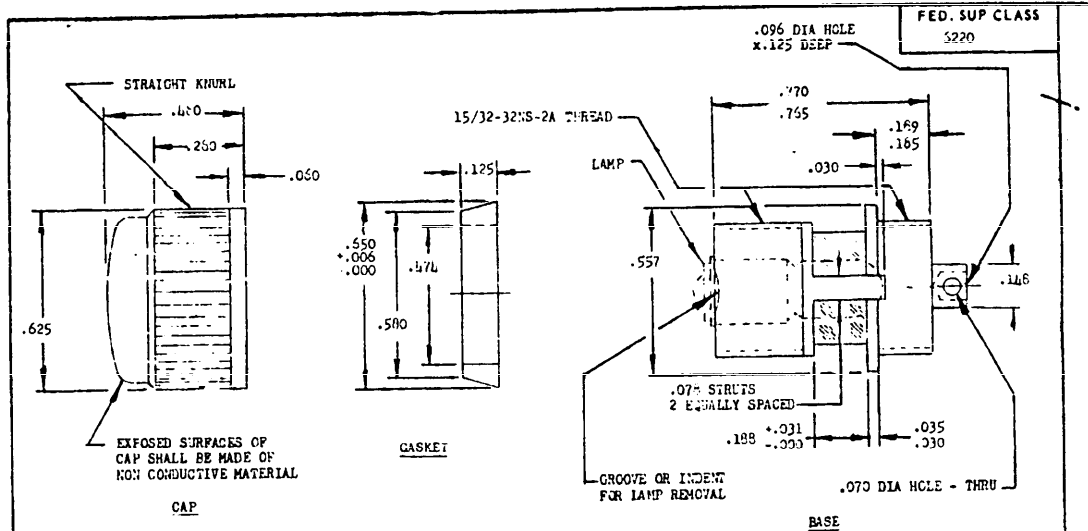


USER SYMBOLS:  
ARMY - ME  
NAVY - EL

REVIEWER SYMBOLS:  
ARMY - AV  
NAVY - AS  
USAF -

"Review/revise information is current as of the date of this document. For future coordination of changes to this document, draft circulation should be based on the information in the current DODISS."

This military standard is approved by the Department of Defense and is mandatory for use by all Departments & Agencies of the Department of Defense. Selection for all new engineering and design applications and for repetitive use shall be made from this document.



**(A) INACTIVE FOR NEW DESIGN AFTER:  
1 JUNE 1968  
NO SUPERSEDING STANDARD  
USE ONLY FOR REPLACEMENT OF IDENTICAL  
ITEMS IN EXISTING MILITARY EQUIPMENT**

P.A. NAVY-AS Other Cust ARMY-AV USAF-02	TITLE	MILITARY STANDARD
	LIGHTS, PANEL-INFORMATION PLANE. PLATE SUPPORTING TYPE.	MS25453
PROCUREMENT SPECIFICATION MIL-L-6723	SUPERSEDES: AH3502	SHEET 1 OF 2

DD FORM 1 SEP 61 672-1 (Coordinated)

PREVIOUS EDITIONS OF THIS FORM ARE OBSOLETE

APPROVED 25 Jun 63 REVISED (A) 1 JUNE 1968

USER SYMBOLS:  
ARMY - ME  
NAVY - EL

REVISOR SYMBOLS:  
ARMY - AV  
NAVY - AS  
USAF -

"Review/user information is current as of the date of this document. For future coordination of changes to this document, draft circulation should be based on the information in the current DODISS."

This military standard is approved by the Department of Defense and is mandatory for use by all operating agencies of the Department of Defense. Selection for all new engineering and design applications and for repetitive use shall be made from this document.

FED. SUP CLASS  
6220

DASH NO. OF LIGHT	CONSISTS OF								
	BASE			GASKET			CAP		
	DASH NO.	COLOR OF LIGHT EMITTED	WT LF MAX	DASH NO.	COLOR OF FINISH	WT LF MAX	DASH NO.	COLOR OF FINISH	WT LF MAX
-1	-4	RED	.01	-6	BLACK	.0005	-8	BLACK	.01
-2	-5	WHITE	.01	-7	GRAY	.0005	-9	GRAY	.01
-3	-5	WHITE	.01	-6	BLACK	.0005	-8	BLACK	.01

DIMENSIONS IN INCHES. UNLESS OTHERWISE SPECIFIED, TOLERANCES: DECIMALS ±.010. ANGLES ±1°.

EACH LIGHT SHALL BE USEABLE FOR SUPPORTING AND ILLUMINATING AN INFORMATION PLATE, MIL-P-778c, ON A CONTROL PANEL, MIL-C-6781, WHEN INSTALLED AS SHOWN.

EACH CAP SHALL BE USEABLE WITH AIC BASE CONFORMING TO THIS STANDARD.

ALL PARTS OF BLACK CAPS AND GASKETS WHICH ARE VISIBLE WHEN THE LIGHT IS INSTALLED SHALL HAVE A FINISH CONFORMING TO FED STD 595 FOR COLOR NO. 36231. ALL PARTS OF GRAY CAPS AND GASKETS WHICH ARE VISIBLE WHEN THE LIGHT IS INSTALLED SHALL HAVE A FINISH CONFORMING TO FED STD 595 FOR COLOR NO. 36231.

LIGHT PASSED BY RED FILTERS SHALL CONFORM TO MIL-C-25050 FOR AVERAGE RED AND ALSO SHALL NOT BE PALER OR YELLOWER THAN RES NO. 3215 FILTER. OPTICAL PATHS OF WHITE FILTERS SHALL BE COLOR NON-SELECTIVE. THE STRUCTURE SHALL BE THE ONLY OBSTRUCTION TO PASSAGE OF LIGHT THROUGH THE FILTER.

EACH LIGHT SHALL MEET ALL OTHER REQUIREMENTS HEREON WITH A LAMP, MS25237-327, INSTALLED AS SHOWN.

FOR GOVERNMENT PROCUREMENT ONLY: LIGHTS SHALL NOT BE FURNISHED WITH LAMPS.

PART NOS. OF LIGHTS WITHOUT OR WITH LAMPS SHALL BE MARKED ON THEIR SHIPPING CONTAINERS ONLY.

PART NOS. OF LIGHTS WITHOUT LAMPS SHALL CONSIST OF THE BASIC MS NO. FOLLOWED BY THE DASH NO. OF THE LIGHT. EXAMPLE OF PART NO.: MS25453-1 = LIGHT, CONSISTS OF BASE -4, RED, GASKET -6 BLACK, AND CAP -8 BLACK.

PART NOS. OF LIGHTS WITH LAMPS SHALL CONSIST OF THE BASIC MS NO. FOLLOWED BY THE DASH NO. OF THE LIGHT AND THE DASH NO. OF THE LAMP. EXAMPLE OF PART NO.: MS25453-1-327 = LIGHT, CONSISTS OF BASE -4, RED, GASKET -6 BLACK, CAP -8 BLACK, AND LAMP MS25237-327.

THE BASE, GASKET AND CAP MAY BE PROCURED SEPARATELY. EXAMPLE OF PART NO.: MS25453-7 = GRAY GASKET ONLY.

EACH COMPLETE LIGHT SHALL BE PROVIDED WITH MOUNTING NUT AND LOCKWASHER. BASES PROCURED SEPARATELY SHALL NOT INCLUDE MOUNTING NUT AND LOCKWASHER.

THE LAMP SHALL BE LOADED BY A SPRING IN THE CAP, AND SHALL PROVIDE POSITIVE ELECTRICAL CONTACT.

INTERCHANGEABILITY RELATIONSHIP: MS25453-1 SUPERSEDES AND IS COMPLETELY INTERCHANGEABLE WITH AN3502B.

FOR DESIGN FEATURE PURPOSES, THIS STANDARD TAKES PRECEDENCE OVER PROCUREMENT DOCUMENTS REFERENCED HEREIN. REFERENCED DOCUMENTS SHALL BE OF THE ISSUE IN EFFECT ON DATE OF INVITATIONS FOR BID.

P.A. NAVY - AS Other Cust ARMY - AV USAF - 62	TITLE	MILITARY STANDARD
	LIGHTS, PANEL-INFORMATION PLATE, PLATE SUPPORTING TYPE	MS25453
PROCUREMENT SPECIFICATION MIL-I-6723	SUPERSEDES: AN3502	SHEET 2 OF 2

DD FORM 672-1 (Coordinated)

PREVIOUS EDITIONS OF THIS FORM ARE OBSOLETE.

APPROVED 25 Jun 69 REVISED (A) SEE SHEET 1