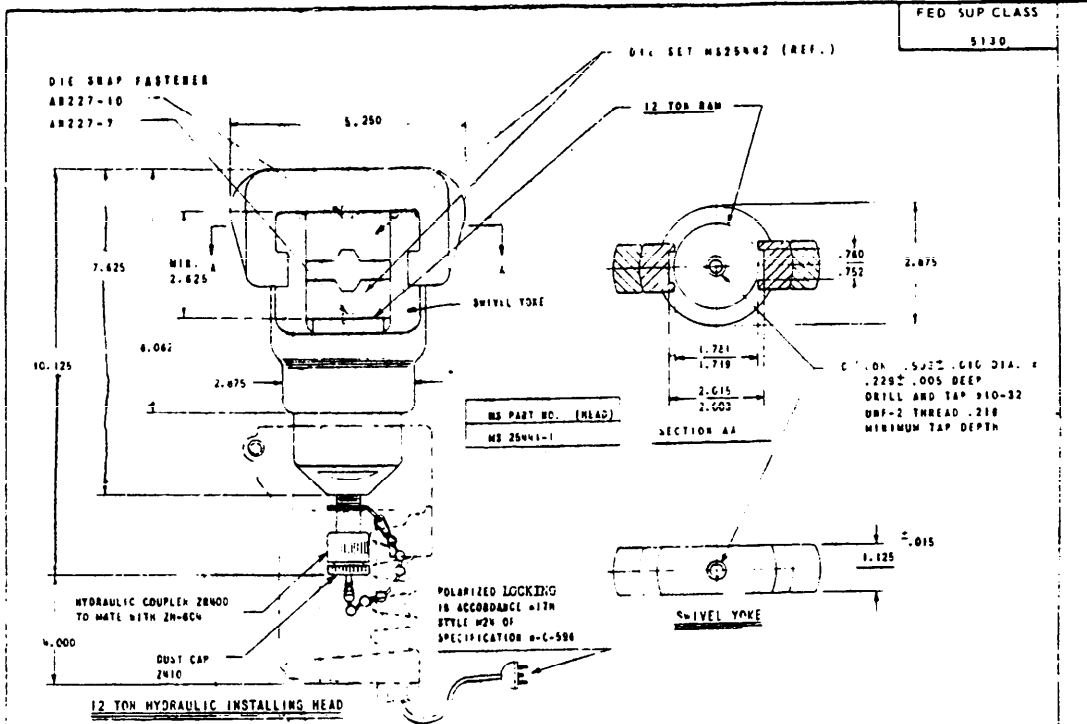


FED SUP CLASS
5130



- THE 12 TON HYDRAULIC INSTALLING HEAD CONSISTS OF:
- SWIVEL YOKE
 - 12 TON HYDRAULIC RAM
 - HYDRAULIC COUPLER, 2R-400 BLACKHAWK MFG. CO. (OR EQUIVALENT)
 - DUST CAP 2-410 BLACKHAWK MFG. CO. (OR EQUIVALENT)
- MAXIMUM WEIGHT OF HEAD WITH HANDLE (LESS DIES) 9 LBS.
WORKING PRESSURE, 9,700 ± 200 PSI -
FINISH, BLACK OXIDE.

CONTROL HANDLE SWITCHES SHALL OPERATE ON 12 VOLTS, 60 CYCLES, SINGLE PHASE.
ALL DIMENSIONS IN INCHES (MAXIMUM) UNLESS OTHERWISE SPECIFIED.
HYDRAULIC INSTALLING HEAD & CONTROL HANDLE DESIGN IS OPTIONAL -
DIMENSIONS SHOWN NOT TO BE EXCEEDED.

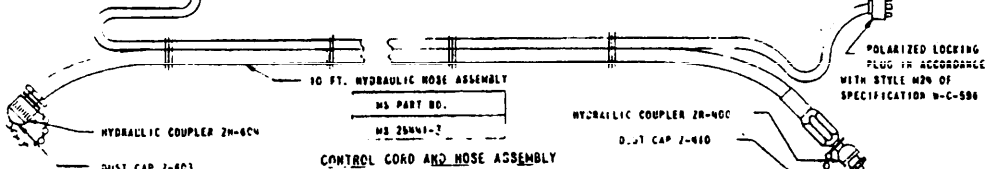
USE ONLY MIL-H-5608 HYDRAULIC AIRCRAFT PETROLEUM BASE OIL.

MS25441 SUPERSEDES MS25441 (MEP) AS A FULLY COORDINATED DOCUMENT

SHEET 1 OF 4.

POLARIZED FEMALE PLUG IN ACCORDANCE WITH STYLE W-2 OF SPECIFICATION W-C-598

11 FT. RUBBER CONTROL CORD (18 AWG WIRE) IN ACCORDANCE WITH TYPE 11 OF SPECIFICATION J-C-80



FOR DESIGN FEATURE PURPOSES, THIS STANDARD TAKES PRECEDENCE OVER PROCUREMENT DOCUMENTS REFERENCED HEREIN. REFERENCED DOCUMENTS SHALL BE OF THE ISSUE IN EFFECT ON DATE OF INVITATIONS FOR BID.

ENTIRE DRAWING REVISED

P.A. Heavy - Mepps	TITLE	MILITARY STANDARD
Other Cust Army - EL USAF - 11	CRIMPING TOOL, TERMINAL, HYDRAULIC OPERATED, WIRE SIZES 8 THRU 4/0	MS25441
PROCUREMENT SPECIFICATION MIL-I-22909	SUPERSEDES: MS25441 IN PART	SHEET 1 OF 4

Reviewers and Offices:
Army - EL
Navy - Mepps
USAF - 11

This military standard is approved by the Department of Defense and is mandatory on all activities. Selection for all new engineering and design application and for repetitive use shall be made from this document.

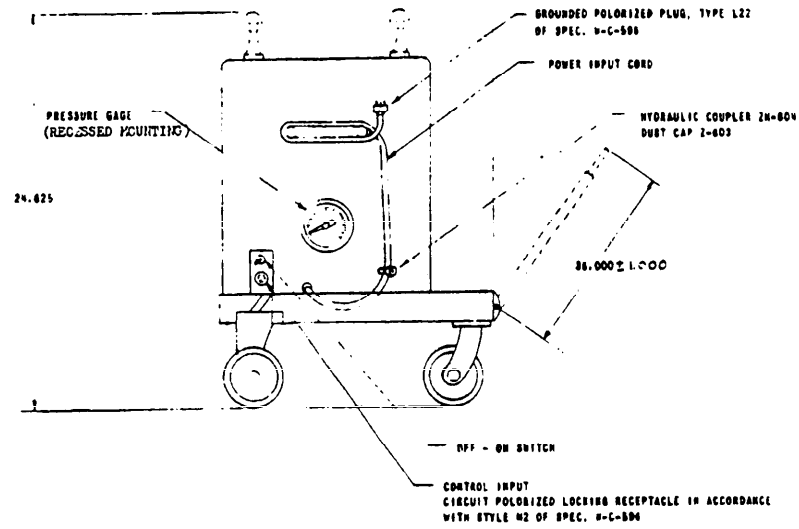
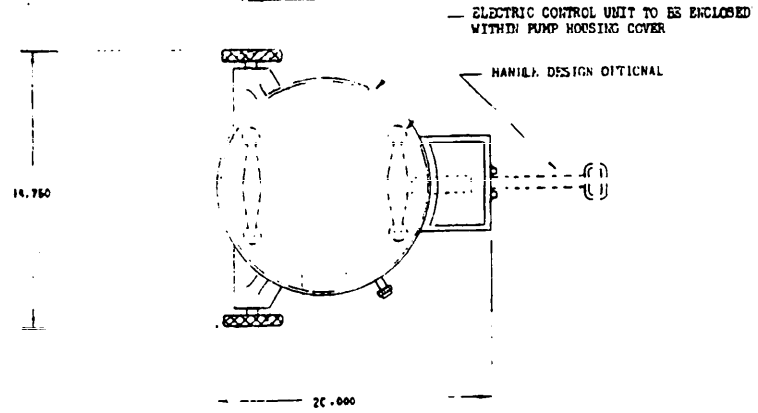
DD FORM 1 SEP 57 672-1 (Coordinated)

PREVIOUS EDITIONS OF THIS FORM ARE OBSOLETE

APPROVED 25 JAN. 60
REVISED (E) 3/30/60
15 APR 64

FED SUP CLASS
513G

U.S. PART NO.
MS-2541-4



ELECTRIC HYDRAULIC PUMP CONFIGURATION IS OPTIONAL. DIMENSIONS SHOWN SHALL NOT BE EXCEEDED.
 WORKING PRESSURE 9700 ± 300 PSI.
 USE ONLY MIL-H-5604 HYDRAULIC AIRCRAFT PETROLEUM BASE OIL.
 HYDRAULIC GAGE COMMERCIAL, SAFETY TYPE, 1.500 MINIMUM FACE DIAMETER, SHALL HAVE A FULL SCALE READING OF ZERO TO 20,000 PSI. THE WORKING PRESSURE AREA OF 8000 TO 8800 PSI OF THE GAGE SCALE SHALL BE GREEN.
 POWER INPUT CORD SHALL BE 25 FEET MINIMUM LENGTH, RESISTANT TO MIL-H-5606 FLUID AND BE THE 3 WIRE GROUNDING TYPE.
 POWER INPUT SHALL BE 110 VOLTS, 60 CYCLE, SINGLE PHASE.
 INCORPORATE AN AUTOMATIC PRESSURE SAFETY RELEASE VALVE CALIBRATED TO RELEASE AT 8900 PSI.
 A. AUTOMATIC CONTROL TO AUTOMATICALLY RELEASE PRESSURE AND RETRACT DIES WHEN DIES ARE IN FULLY CLOSED POSITION.
 B. AUTOMATIC CONTROL CIRCUIT SHALL HAVE PROVISION FOR RESETTING BY OPERATOR.
 C. PUMP SWITCH SHALL OPERATE MAGNETIC RELAY INCORPORATED IN AUTOMATIC CONTROL HOUSING.
 PROVIDE MASTER CONTROL SWITCH TO AFFORD COMPLETE POWER REMOVAL WHEN TOOL IS NOT IN USE. (POSITION OPTIONAL)
 USE HYDRAULIC COUPLER 2H-604 TO ATTACH HOSE TO PUMP, BLACKHAWK MANUFACTURING CO. (OR EQUIVALENT)
 DIMENSIONS IN INCHES AND ARE MAXIMUM UNLESS OTHERWISE SPECIFIED.

Revisers and Users:
 Army - EL
 Navy - Weps
 USAF - 11

This military standard is approved by the Department of Defense and is mandatory on all activities. Selection for all new engineering and design applications and for repetitive use shall be made from this document.

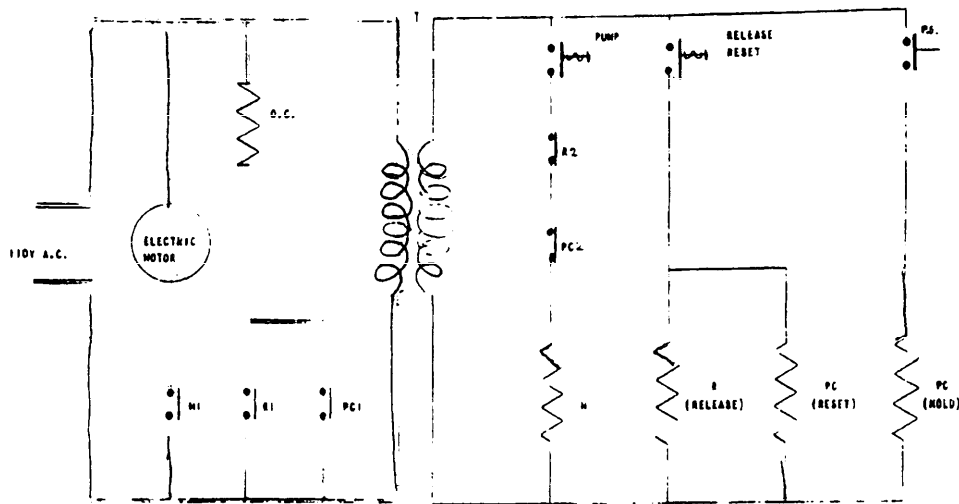
REVISED FOR CHANGES SIX SHEETS 1, 2, 3 AND 4.
 APPROVED 25 JAN 60

P.A. Navy - Weps Other Cust Army - EL USAF - 11	TITLE CRIMPING TOOL, TERMINAL, HYDRAULIC OPERATED, WIRE SIZE 8 THRU 1/0	MILITARY STANDARD
		MS2541
PROCUREMENT SPECIFICATION MIL-1-22909	SUPERSEDES: MS2541 IN PART	SHEET 2 OF

DD FORM 672-1 (Coordinated)

PREVIOUS EDITIONS OF THIS FORM ARE OBSOLETE.

FED. SUP CLASS
5130



AUTOMATIC PRESSURE RELEASE
CONTROL CIRCUIT

AUTOMATIC PRESSURE RELEASE CONTROL CIRCUIT DESIGN IS OPTIONAL - OPERATION MUST BE AS OUTLINED ON SHEET 2.

LEGEND:

- O.C. - OIL FLOW CONTROL VALVE
- R. - OIL CONTROL RELAY, 12V, 60~
- M. - MOTOR CONTROL RELAY, 12V, 60~
- P.C. - MAGNETIC RELAY - WITH HOLD COIL AND RELEASE COIL, 12V, 60~
- P.S. - PRESSURE SWITCH
- T. - STEP-DOWN TRANSFORMER (110/12) 50 WATTS

SYMBOL:

- INTERLOCK CONTACTOR
- COIL
- MANUALLY OPERATED SWITCH
SPRING LOADED
- PRESSURE SWITCH
- NORMALLY CLOSED
- NORMALLY OPEN
- POWER CIRCUIT (110 VOLTS)
- CONTROL CIRCUIT (12 VOLTS)

Reviewers and Users:

Army - EL
Navy - Mcps
USAP - 11

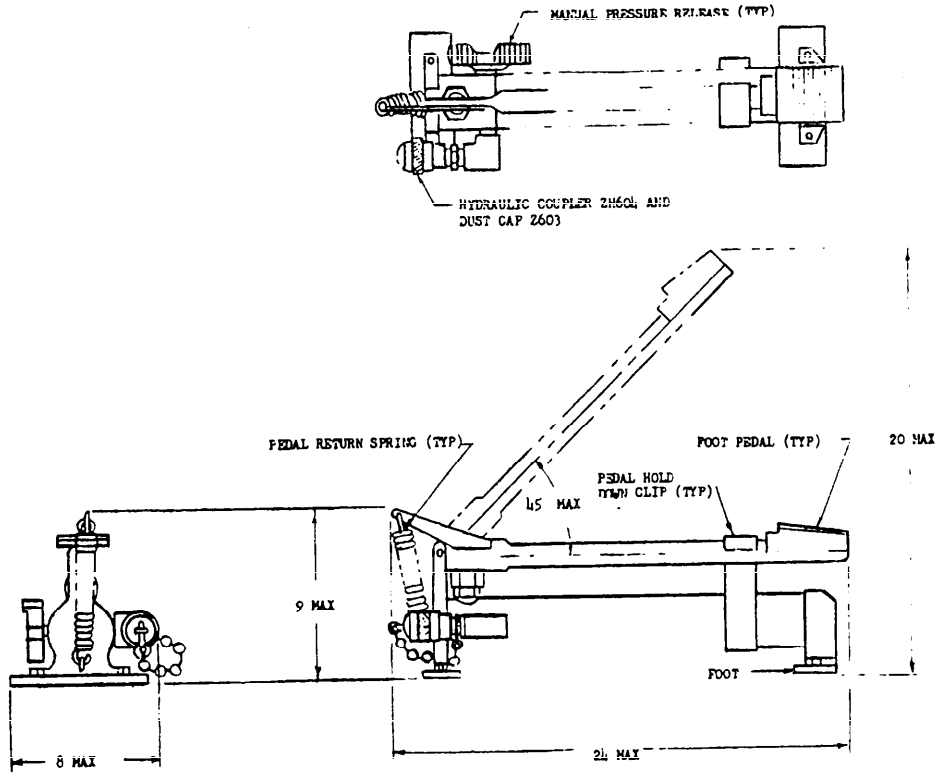
This military standard is approved by the Department of Defense and its member agencies on all activities. Solicitation for all new engineering and design applications and for repetitive use shall be made from this document.

APPROVED 21 JUN 60 REVISED (C) FOR CRIMPERS SEE SHEETS 1, 2, 3 AND 4

P.A. Heavy - Mcps Other Cost Army - EL USAP - 11 C	TITLE CRIMPING TOOL, TERMINAL, HYDRAULIC OPERATED, WIRE SIZE 8 THRU 4/0 C	MILITARY STANDARD MS25441
PROCUREMENT SPECIFICATION HIL-1-22909	SUPERSEDES: HS25494 III PART	SHEET 3 OF

FED. SUP CLASS
2130

Reviewers and Users:
Army - EL
Navy - Nops
USAF - 11



MANUALLY OPERATED HYDRAULIC CRIMPING TOOL

MS PART NO.
MS 25441-5

USE HYDRAULIC COUPLER ZH604 TO ATTACH HOSE TO PUMP, BLACKHAWK MANUFACTURING COMPANY (OR EQUIVALENT).
 USE ONLY MIL-H-5606 HYDRAULIC AIRCRAFT PETROLEUM BASE OIL.
 SAFETY BY-PASS RELEASE PRESSURE 9700± 200 PSI.
 CONFIGURATION OF PUMP MAY VARY TO THAT SHOWN TO SUIT THE INDIVIDUAL MANUFACTURER'S DESIGN.
 THE PUMP SHALL BE A TWO SPEED PUMP.
 THE FOOT PEDAL MAY BE OF ONE OR TWO LEVERS.
 DIMENSIONS IN INCHES UNLESS OTHERWISE SPECIFIED.

This military standard is approved by the Department of Defense and is mandatory on all activities. Selection for all new procurements and design applications and for repetitive use shall be made from this document.

APPROVED 25 Jun 60 REVISED (C) FOR CHANGES SEE SHEETS 1, 2, 3 AND 4.

P.A. Navy - Nops Other Cust Army - EL USAF - 11	TITLE	MILITARY STANDARD
	CRIMPING TOOL, TERMINAL HYDRAULIC OPERATED, WIRE SIZE 8 THRU 4/0	MS25441
PROCUREMENT SPECIFICATION MIL-I-22909	SUPERSEDES: MS25494 IN PART	SHEET 4 OF

DD FORM 672-1 (Coordinated)
1 SEP 57

PREVIOUS EDITIONS OF THIS FORM ARE OBSOLETE.