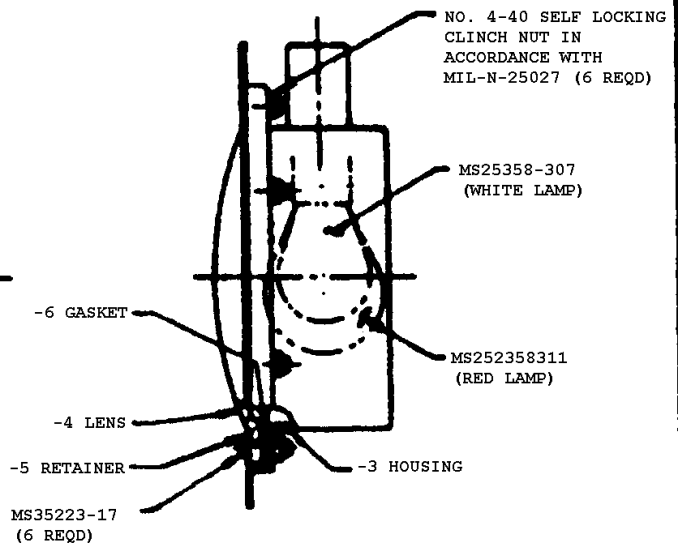
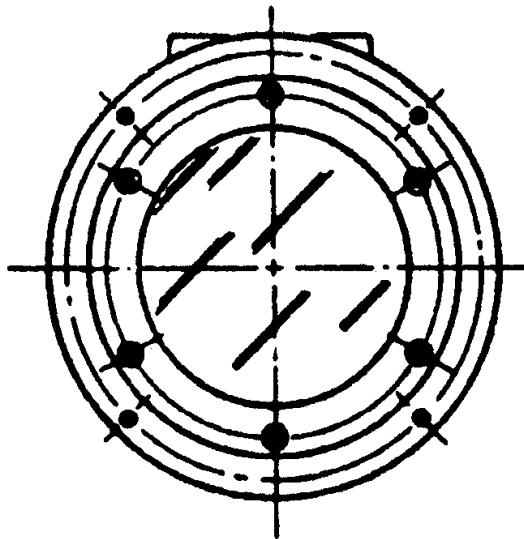


NOTICE - REVISED INFORMATION IS CURRENT AS OF DATE OF THIS DOCUMENT. FOR FUTURE CONSIDERATION OF CHANGES TO THIS DOCUMENT, DRAFT CLASSIFICATION SHOULD BE BASED ON THE INFORMATION IN THE CURRENT EDITION.

NAVY - AS
ARMY - ME

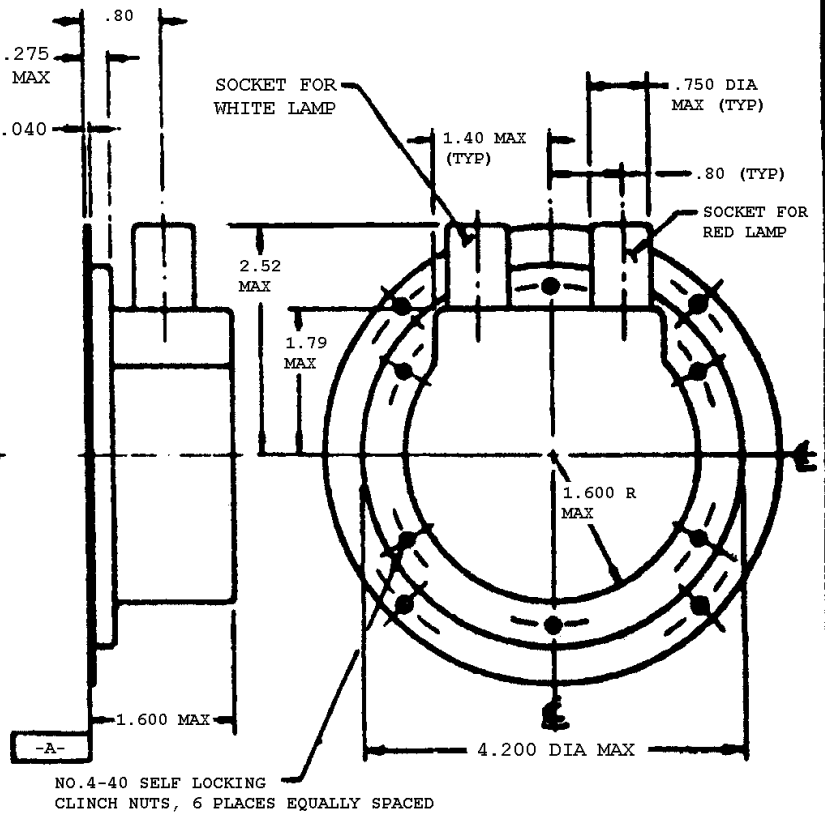
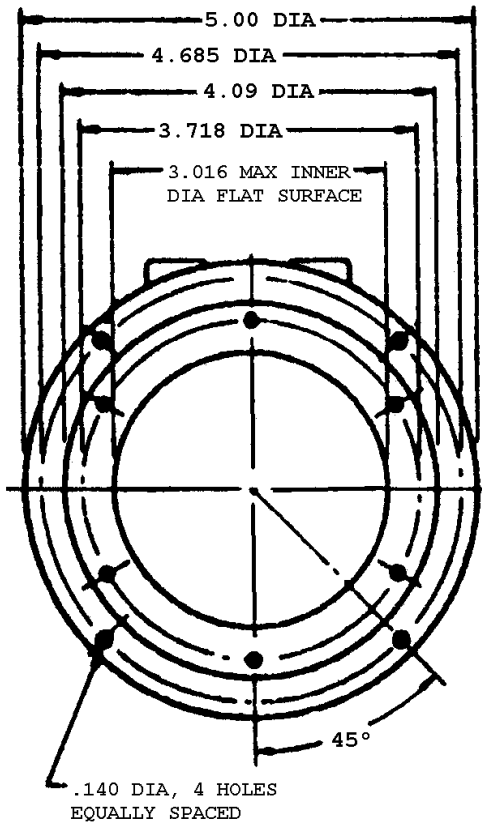
NAVY - AS
ARMY - ME

This military standard is approved by the Department of Defense and is mandatory for use by all Departments & Agencies of the Department of Defense. Substitution for all new engineering and design applications and for reworking work shall be made from this document.



-7, COMPLETE ASSEMBLY WITH LAMPS (SEE NOTE 4)

-8, COMPLETE ASSEMBLY WITHOUT LAMPS (SEE NOTE 4)



NO. 4-40 SELF LOCKING CLINCH NUTS, 6 PLACES EQUALLY SPACED

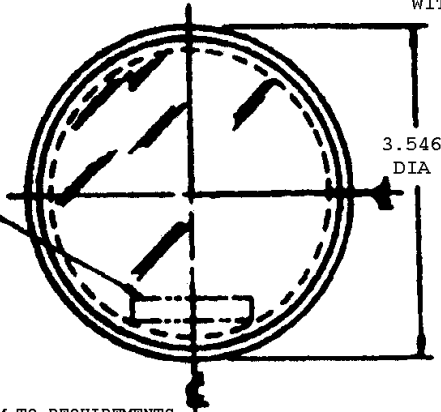
-3 HOUSING (SEE NOTE 3)
MAX WT 0.40 LB

ENTIRE STANDARD REVISED AND REDRAWN

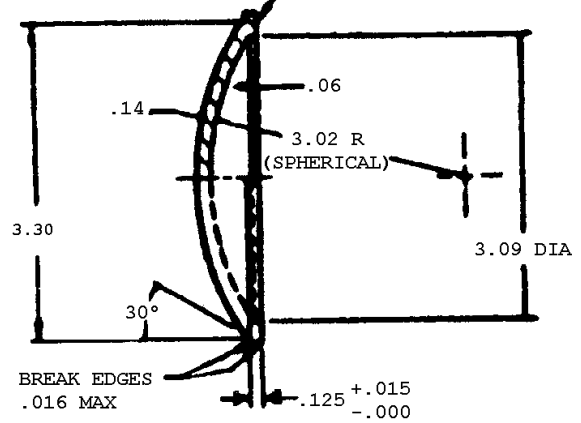
P.A. NAVY - AS OTHER CUST USAP-82 ARMY-ME	TITLE LIGHT, DOME, CABLE RED AND WHITE	MILITARY STANDARD MS25358
MILITARY SPECIFICATION MIL-L-6723	SUPERSEDES: AN340 AND BUAER 57A3C014	SHEET 1 OF 2

APPROVED BY MIL 22 REVISED 6 JUL 59 BY MIL 1963 27 April 1967

MOLD MS25358-4
PART NO. APPROX.
.125 HIGH IN THIS
AREA



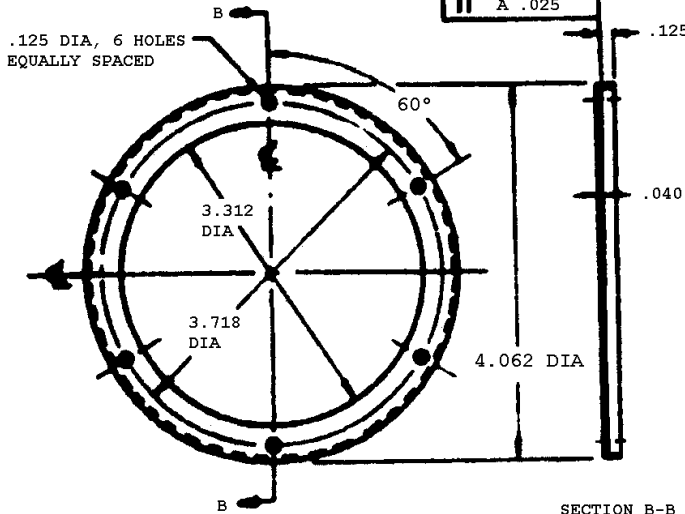
THE SURFACE SHALL BE FLAT
WITHIN .010



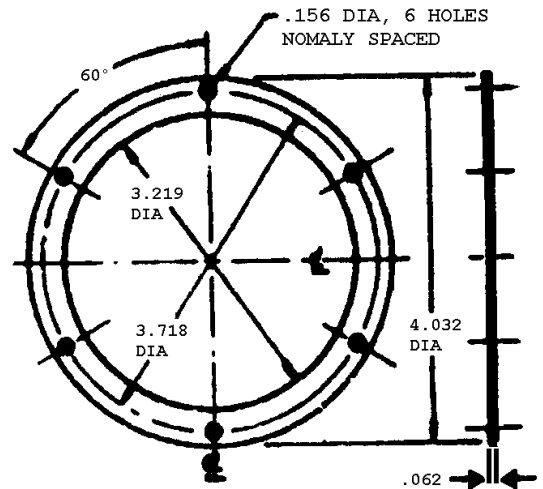
BREAK EDGES
.016 MAX
.125 +.015
-.000

MATERIAL SHALL CONFORM TO REQUIREMENTS
OF MIL-C-7989, CLASS A. COLOR SHALL
BE IN ACCORDANCE WITH MIL-C-25050,
AVIATION-WHITE, COLORLESS, DIFFUSING

-4 LESS (SEE NOTE 4)
MAX WT 0.10 LB



SECTION B-B



MATERIAL: BUNA-N
DUROMETER HARDNESS 40-50

-5 RETAINER (SEE NOTE 3)
MAX WT 0.04 LB

-6 GASKET
MAX WT 0.04 LB

NOTES

1. DIMENSIONS IN INCHES. UNLESS OTHERWISE SPECIFIED, TOLERANCE: TWO PLACE DECIMALS +.025, THREE PLACE DECIMALS +.010, ANGLES ±1°. DIMENSIONING AND TOLERANCE SHALL BE IN ACCORDANCE WITH MIL-STD-8.
2. WHERE MAXIMUM AND MINIMUM DIMENSIONS ARE SHOWN, THE HOUSING NEED NOT HAVE THE SHAPE SHOWN, BUT SHALL BE CONTAINED WITHIN THE OUTLINE SHOWN.
3. ALL PARTS OF THE HOUSING -1, AND RETAINER-5, WHICH ARE VISIBLE WHEN THE LIGHT IS INSTALLED, SHALL HAVE A LUSTERLESS GRAY FINISH CONFORMING TO FED-STD-595, COLOR NUMBER 36231.
4. MS85358-4 SUPERSEDES BUAE 57A3A011, MS25358-7 SUPERSEDES MS25358-2, MS25358-8 SUPERSEDES MS25358-1.

FOR DESIGN FEATURES, THIS STANDARD TAKES PRECEDENCE OVER PROCUREMENT DOCUMENTS SUPERCEDED HEREIN.
REFERENCED DOCUMENTS SHALL BE OF THE ISSUE IN EFFECT ON DATE OF INVITATIONS FOR BID.

P.A. NAVY - AS OTHER CUST USAP - 82 ARMY - ME	TITLE	MILITARY STANDARD
	LIGHT, DOME, CABLE RED AND WHITE	MS25358
PROCUREMENT SPECIFICATION MIL-L-6723	SUPERSEDES: AN3400 AND BUAE 57A3C014	SHEET 2

This military standard is approved by the Department of Defense and is
 mandatory for use by all Departments & Agencies of the Department
 of Defense. Solicitation for all new requirements and design applications
 and for replacement use shall be made by this document.
 NAVY - AS
USAP - 82
ARMY - ME
 THIS STANDARD SUPERSEDES 1 AND 2.
 REVISED 6 JUL 59 TO THE 1954 EDITION.
 APPROVED BY THE JCS