

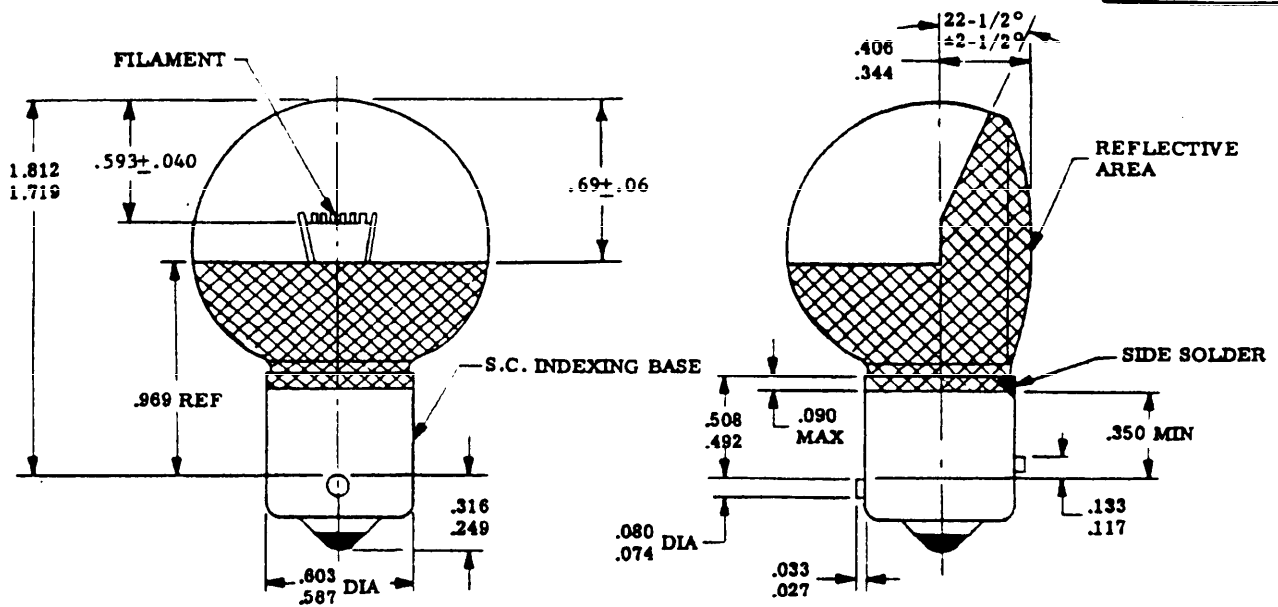
FED. SUP CLASS
6240

USER SYMBOLS:
USAF-11
NAVY-MC

REVIEWER SYMBOLS:
ARMY-AV,

*Review/user information is current as of the date of this document.
For future coordination of changes to this document, draft circulation
should be based on the information in the current DD135.

AMSC N/A
DISTRIBUTION STATEMENT 1
JEA APPROVED FOR PUBLIC RELEASE. DISTRIBUTION IS UNLIMITED.
This military standard is approved for use by all Departments
& Agencies of the Department of Defense. Selection for all new
engineering and design applications and for repetitive use shall
be made from this document.



DASH NO.	TRADE NO.	VOLTS	WATTS	RATED AVERAGE LABORATORY LIFE HOURS
-600	600	6.2	26	300
-1506	1506	6.4	21	
-7512	7512	28.0	26	

LIGHT DISTRIBUTION IN HORIZONTAL PLANE CONTAINING FLIGHT AXIS (0°), PASSING THROUGH LIGHT CENTER AND CENTER OF INDEXING PINS		
DASH NO.	CANDLEPOWER	ANGLE OF DISTRIBUTION
-600	200 C. MIN	2° INBOARD TO 15° OUTBOARD
	25 C. MIN	15° OUTBOARD TO 100° OUTBOARD
-1506	150 C. MIN	2° INBOARD TO 15° OUTBOARD
	20 C. MIN	15° OUTBOARD TO 100° OUTBOARD
-7512	200 C. MIN	2° INBOARD TO 15° OUTBOARD
	25 C. MIN	15° OUTBOARD TO 100° OUTBOARD

LIGHT DISTRIBUTION IN VERTICAL PLANE CONTAINING FLIGHT AXIS (0°), PASSING THROUGH LIGHT CENTER AND PERPENDICULAR TO HORIZONTAL PLANE ABOVE		
DASH NO.	CANDLEPOWER	ANGLE OF DISTRIBUTION
-600	180 C. MIN	0° TO 20° ABOVE AND BELOW FLIGHT AXIS
	20 C. MIN	20° TO 80° ABOVE AND BELOW FLIGHT AXIS
-1506	150 C. MIN	0° TO 20° ABOVE AND BELOW FLIGHT AXIS
	20 C. MIN	20° TO 70° ABOVE AND BELOW FLIGHT AXIS
-7512	180 C. MIN	0° TO 20° ABOVE AND BELOW FLIGHT AXIS
	20 C. MIN	20° TO 80° ABOVE AND BELOW FLIGHT AXIS

FOR DESIGN FEATURE PURPOSES, THIS STANDARD TAKES PRECEDENCE OVER PROCUREMENT DOCUMENTS REFERENCED HEREIN. REFERENCED DOCUMENTS SHALL BE OF THE ISSUE IN EFFECT ON DATE OF INVITATIONS FOR BID.

(E) CANCELLED AS OF JUNE 1969 FOR NEW PROCUREMENTS USE MIL-L-6363/2

P.A. NAVY-AS Other Cars	INTERNATIONAL INTEREST	TITLE LAMP, INCANDESCENT SINGLE CONTACT BAYONET CANDELABRA, GG-10 BULB	MILITARY STANDARD MS25309
USAF-82 ARMY-ME		SUPERSEDES AN3122	SHEET 1 OF 2
PROCUREMENT SPECIFICATION MIL-L-6363			

APPROVED 14 APR 58 REVISED (A) 7 SEP 60 (B) 19 DEC 61 (C) 21 FEB 1972 (D) 21 JUN 73 (E) 1 JUNE 1969

USER SYMBOLS:
USAF - 11
NAVY-MC

REVIEWER SYMBOLS:
ARMY-AV,

"Review/user information is current as of the date of this document. For future coordination of changes to this document, draft circulation should be based on this information in the current 60D155."

NOTES:

1. DIMENSIONS IN INCHES
2. MINIMUM MARKING: MFRS. NAME ABBREVIATION OR TRADEMARK. VOLTS: TRADE NO.
3. CANDLEPOWER MAINTENANCE: AT 70% OF RATED LIFE, CANDLEPOWER SHALL EXCEED 80% OF MINIMUMS SPECIFIED WITH TOLERANCES IN ACCORDANCE WITH TABLE II SPECIFICATION W-L-111, LIFE TOLERANCE SHALL BE IN ACCORDANCE WITH TABLE I SPECIFICATION W-L-111.
4. INTERCHANGEABILITY RELATIONSHIP: MS25309-7512 AND AN3122-1524 ARE UNIVERSALLY, FUNCTIONALLY, AND DIMENSIONALLY INTERCHANGEABLE. IF DIMMING RESISTORS ARE USED, SUBSTITUTING THE 7512 LAMP FOR THE 1524 LAMP WOULD CHANGE THE DIMMING, AS THE 1524 LAMP IS RATED AT 21 WATTS.

* CERTAIN PROVISIONS OF THIS STANDARD ARE THE SUBJECT OF INTERNATIONAL STANDARDIZATION AGREEMENT ASCC 12/2 AND STANAG 3544. WHEN REVISION OR CANCELLATION OF THIS STANDARD IS PROPOSED WHICH WILL AFFECT OR VIOLATE THE INTERNATIONAL AGREEMENT CONCERNED, THE PREPARING ACTIVITY WILL TAKE APPROPRIATE RECONCILIATION ACTION THROUGH INTERNATIONAL STANDARDIZATION CHANNELS, INCLUDING DEPARTMENTAL STANDARDIZATION OFFICES IF REQUIRED.

This military standard is approved for use by all Departments, Agencies of the Department of Defense, and for all non-engineering and design applications and for a petition use shall be made from this document.

P.A. NAVY - AS Other Cust ARMY-ME USAF-82	INTER- NATIONAL INTEREST	TITLE	MILITARY STANDARD
		LAMP, INCANDESCENT SINGLE CONTACT BAYONET CANDELABRA, GG-10 BULB	MS25309
PROCUREMENT SPECIFICATION MIL-L-6363	SUPERSEDES.	AN3122	SHEET 2 OF 2

APPROVED 14 APR 58 REVISED D FOR CHANGES SEE SHEETS 2 E 1 JUNE 1989