

INCH-POUND

MS25205G
 7 March 2003
 SUPERSEDING
 MS25205F(AS)
 12 July 1991

MILITARY SPECIFICATION SHEET

FLASHER, SOLID STATE, AIRCRAFT LIGHT

Inactive for new design and is no longer used
 except for replacement purposes.

This specification is approved for use by all Departments
 and Agencies of the Department of Defense.

The requirements for acquiring the flasher described herein shall
 consist of this specification and the latest issue of MIL-F-26301.

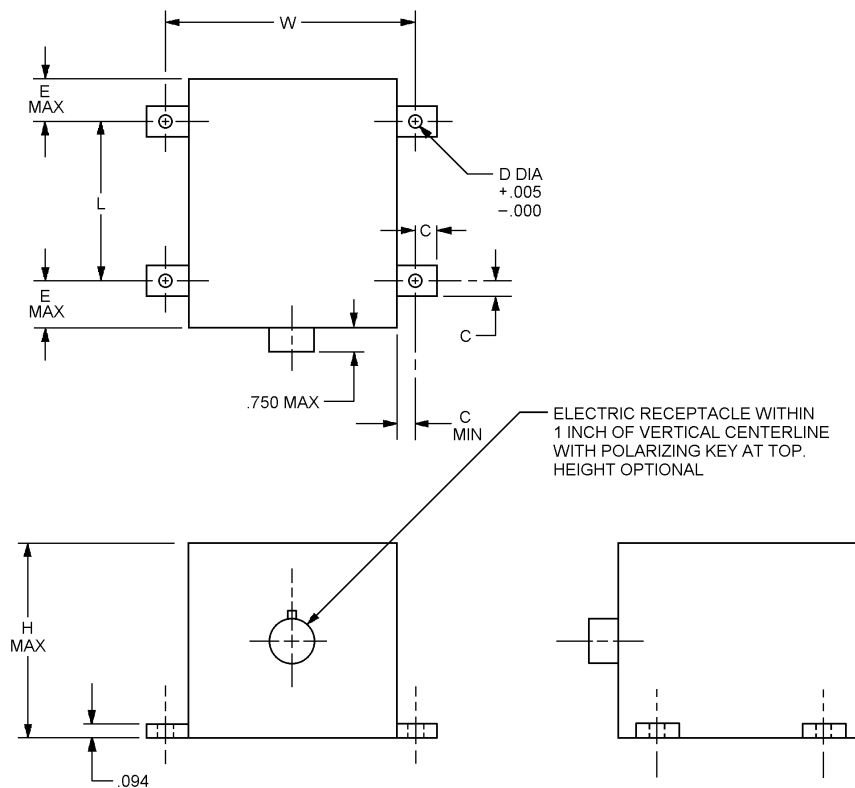


FIGURE 1. Dimensions and configuration.

MS25205G

Inches	mm	Inches	mm
.005	0.13	1.125	28.58
.094	2.39	1.230	31.24
.175	4.45	1.500	38.10
.180	4.57	2.000	50.80
.188	4.78	2.230	56.64
.200	5.08	2.500	63.50
.218	5.54	2.562	65.07
.250	6.35	2.594	65.89
.260	6.60	2.640	67.06
.375	9.52	2.750	69.85
.380	9.65	2.940	74.68
.500	12.70	3.000	76.20
.562	14.27	3.120	79.25
.625	15.88	3.375	85.72
.688	17.48	3.500	88.90
.750	19.05	3.750	95.90
.870	22.10	4.000	101.60
.880	22.35	4.500	114.30
1.000	25.40	5.375	136.52

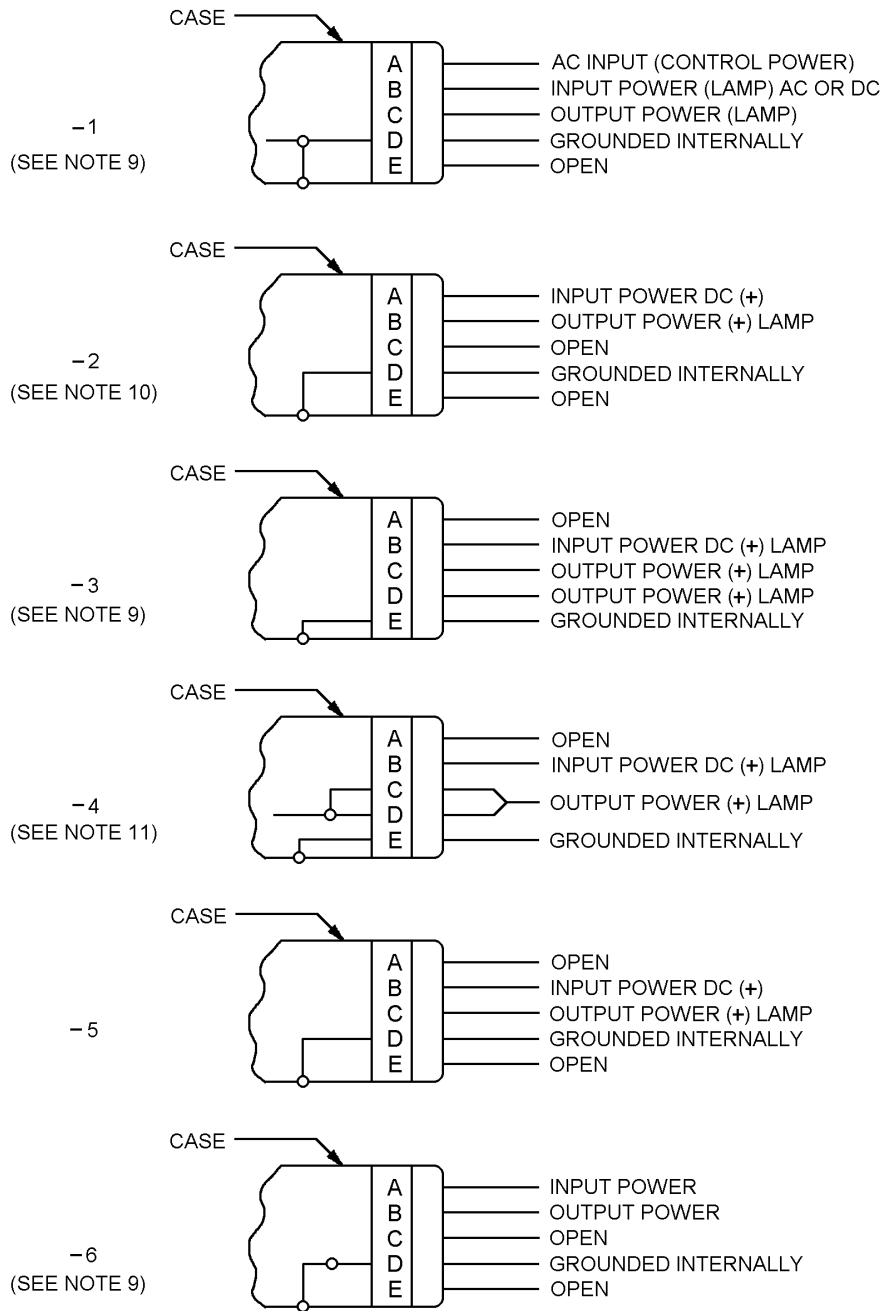
NOTES:

1. Dimensions are in inches.
2. Metric equivalents are given for general information only.
3. Unless otherwise specified, tolerance is .010 (0.25 mm).
4. The flasher need not have the shape shown, but shall be contained within the outline shown.
5. Allowable voltage variation shall be in accordance with MIL-F-26301.
6. Allowable frequency variation is ± 5.0 percent of rated frequency.
7. Flash rate shall be 90 ± 10 flashes per minute.
8. The voltage drop within the flasher shall not exceed 5.0 percent of the input voltage for any value of load within the limits specified in MIL-F-26301.
9. MS25205-1, -3, -6, and -8 through -11 are canceled without replacement.
10. MS25205-2 is superseded by MS24577-4.
11. MS25205-4 is superseded by MS24577-2A.
12. Classes A, B, K, R, and F of MS3106 are inactive for new design.
13. MS3106E is canceled. For existing designs use MS3106F for connectors with clamp and MS3106R for connectors with grommet seal.

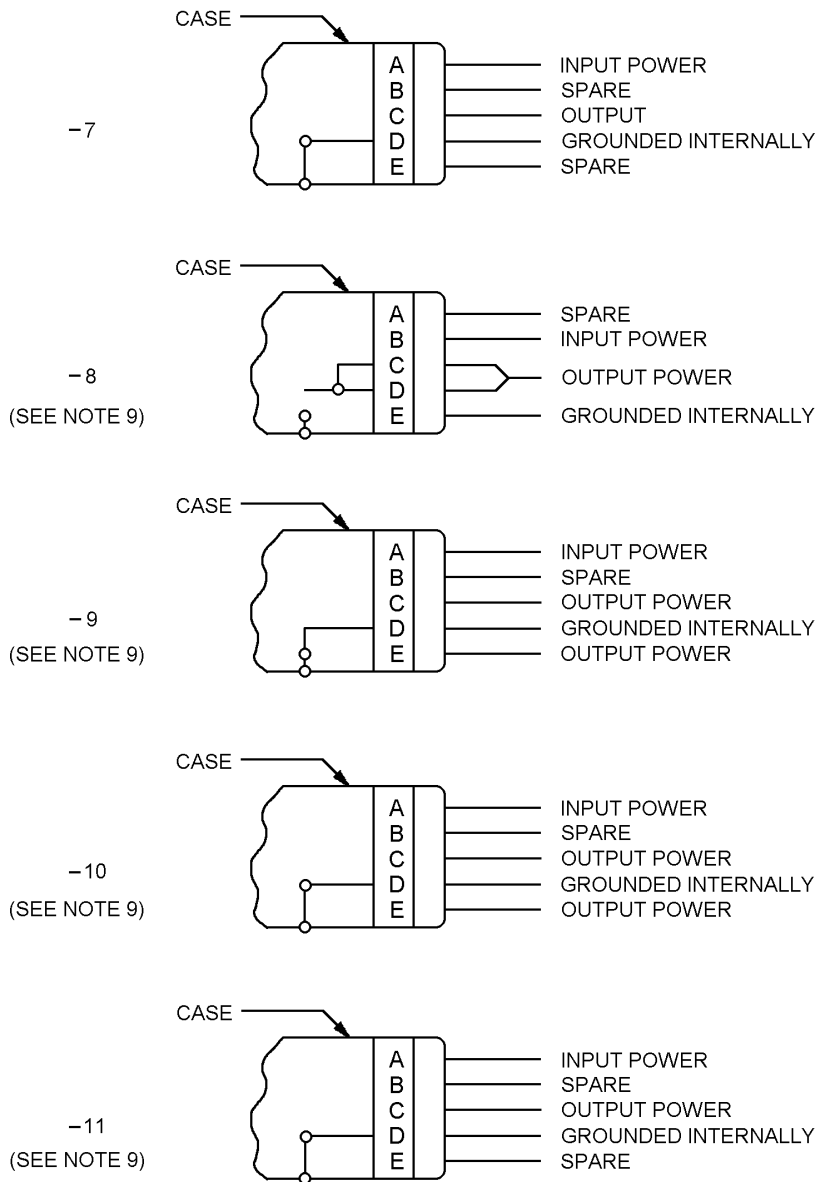
FIGURE 1. Dimensions and configuration - Continued.

Dash no	L	W	H	D	C	E	Receptacle to mate with plug (see notes 12, 13)	Pin connections					Max wt., lbs.	Duration of life test hours
								A	B	C	D	E		
-1 (Note 9)	2.750	3.500	2.594	.200	.250	.562	MS3106-18-4S	Input 115 V ac 0.22 amp	Input 115 V ac or 28 V dc 7.5 amp	Output 115 V ac or 28 V dc 7.5 amp	Grounded internally	N/A	2.5	1,000
-2 (Note 10)	2.750	3.500	2.594	.200	.250	.562	MS3106-14-5S	Input 28 V dc 7.7 amp	Output 28 V dc 7.5 amp	Spare	Grounded internally	Spare	2.5	1,000
-3 (Note 9)	3.000	5.375	4.500	.260	.375	.688	MS3106-16S-8S	Spare	Input 28 V dc 5.2 amp	Output 28 V dc 5.0 amp	Output 28 V dc 5.0 amp	Grounded internally	4	300
-4 (Note 11)	2.000	2.500	2.594	.175	.250	1.125	MS3106-16S-8S	Spare	Input 28 V dc 5.2 amp	Output 28 V dc, 5.0 amp, pins internally connected		Grounded internally	1.5	800
-5	1.500	2.000	2.594	.175	.250	1.125	MS3116-8-4S	Spare	Input 28 V dc 1.2 amp	Output 28 V dc 1.0 amp	Grounded internally	N/A	.75	1,000
-6 (Note 9)	2.750	3.500	3.120	.200	.250	.562	MS3116-10-6S	Input 28 V ac or dc 15.3 amp	Output 28 V ac or dc 15.0 amp	Spare	Grounded internally	Spare	2.5	1,000
-7	2.000	2.750	2.230	.180	.380	.870	MS3106-16S-8S	Input 115 V ac 4.1 amp	Spare	Output 115 V ac 4.0 amp	Grounded internally	Spare	1.0	1,000
-8 (Note 9)	2.000	2.500	2.562	.188	.250	.880	MS3106-16S-8S	Spare	Input 115 V ac 2.1 amp	Output 115 V ac, 2.0 amp		Grounded internally	1.0	1,000
-9 (Note 9)	2.000	2.750	2.230	.180	.625	1.230	MS3106-16S-8S	Input 115 V ac 0.3 amp	Spare	Output 28 V ac 1.0 amp	Grounded internally	Output 6.0 V ac 4.0 amp	1.5	1,000
-10 (Note 9)	3.750	3.375	2.640	.218	.380	.625	MS3106-18-11S	Input 115 V ac 2.0 amp	Spare	Output 28 V ac 7.5 amp	Grounded internally	Output 6.0 V ac 34 amp	3.2	1,000
-11 (Note 9)	4.000	4.000	2.940	.218	.500	.500	MS3106-18-11S	Input 115 V ac 4.4 amp	Spare	Output 28 V ac 15 amp	Grounded internally	Spare	5.0	1,000

MS25205G



MS25205G



Custodians:
Navy - AS
DLA - CC

Preparing activity:
DLA - CC

(Project 5945-1184)