

INCH-POUND

MS25051B
10 January 2014
SUPERSEDING
MS25051A
14 July 2009

DETAIL SPECIFICATION SHEET

INSERT, DEAD-END, ANTENNA

Inactive for new design
after 4 June 1999

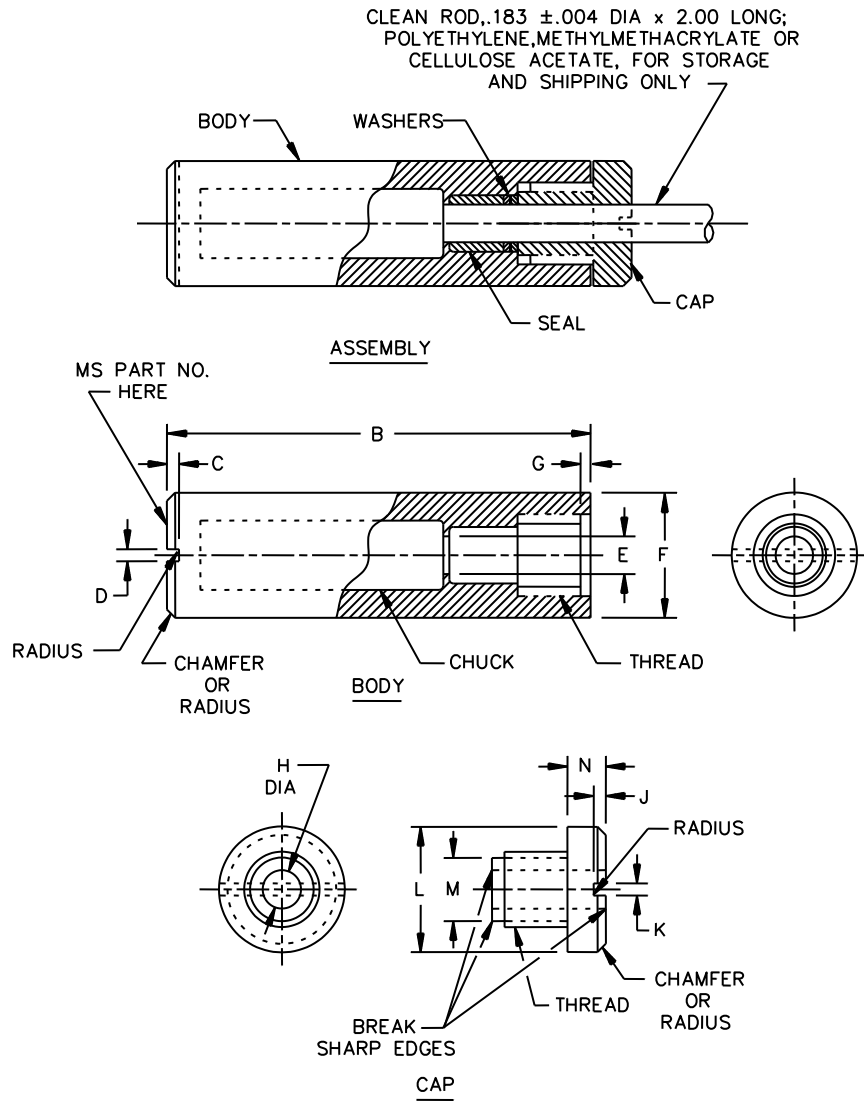
This specification is approved for use by all Departments
and Agencies of the Department of Defense.

The requirements for acquiring the switch described herein
shall consist of this specification sheet and MIL-DTL-7965.

NOTES:

1. Material: Body and cap, suitable for the purpose.
Seal, Silicone rubber, suitable for the purpose.
2. Dimensions are in inches.
3. Tolerances: Two-place decimals $\pm .01$, three-place decimals $\pm .005$.
4. Threads shall conform to specification MIL-S-7742.
5. Maximum weight 0.07 pound.

MS25051B



MS part number	FIIN
MS25051-1	

Ltr	Dimensions	Ltr	Dimensions
B	2.1 Max	H	.191
C	.06	I	.19
D	.06	J	.06
E	.187 +.005 -.000	K	.06
F	.62	L	.620
G	.05± .02	M	.313

FIGURE 1. Dimensions and configuration

MS25051B

Referenced documents. In addition to MIL-DTL-7965, this document references the following:
MIL-S-7742

Marginal notations are not used in this revision to identify changes with respect to the previous issue due to the extent of the changes.

Custodians:
Navy – AS
Air Force – 85
DLA – CC

Preparing activity
DLA -CC

(Project 5985-2014-015)

NOTE: The activities listed above were interested in this document as of the date of this document. Since organizations and responsibilities can change, you should verify the currency of the information above using the ASSIST Online database at <https://assist.dla.mil/>.