

INCH-POUND

MS25049C
 10 January 2014
 SUPERSEDING
 MS25049B
 14 July 2009

DETAIL SPECIFICATION SHEET

MAST, ANTENNA, LEAD-THROUGH

Inactive for new design
 after 4 June 1999

This specification is approved for use by all Departments
 and Agencies of the Department of Defense.

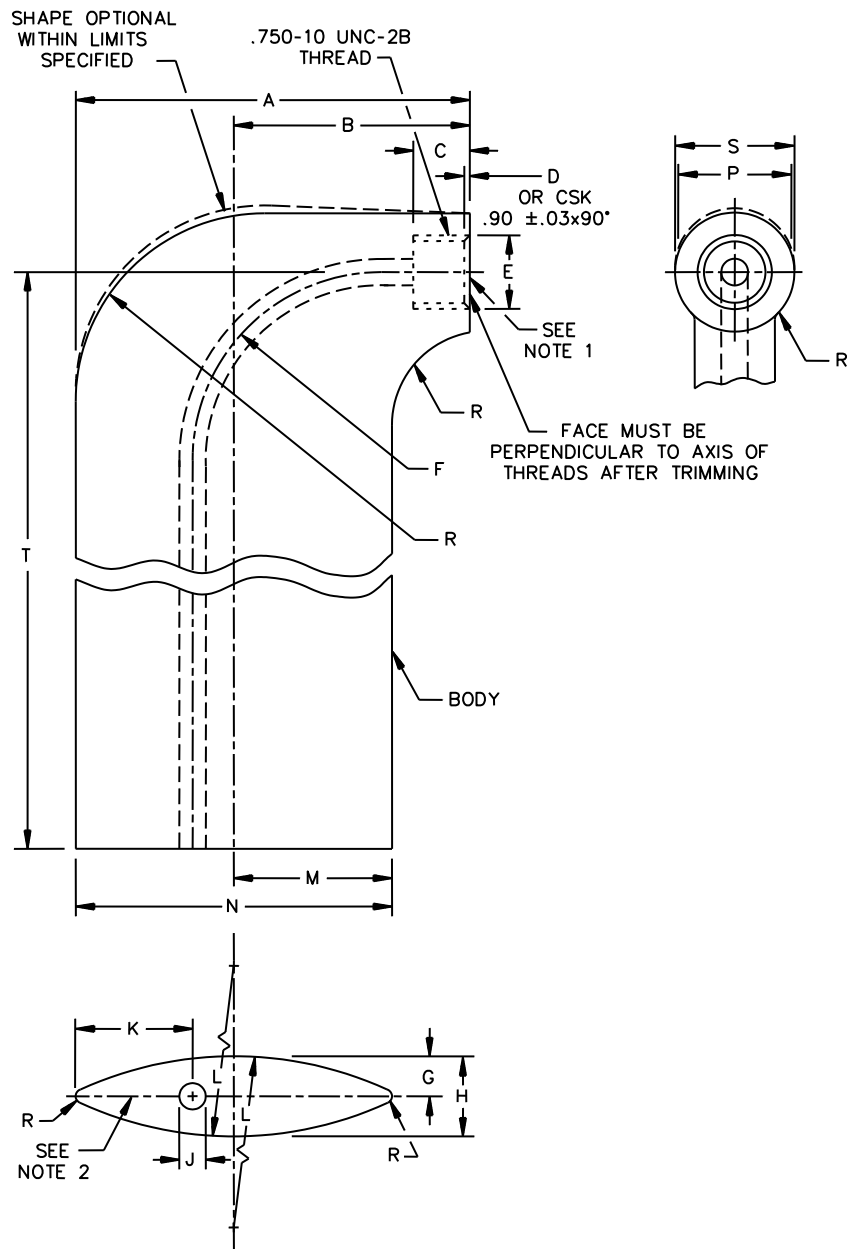
The requirements for acquiring the switch described herein
 shall consist of this specification sheet and MIL-DTL-7965.

MS Part NO.	A	
	MAX	MIN
MS25049-1A	4.5	3.9
MS25049-1B	4.5	3.9

NOTES:

1. Material: Body; Glass fiber reinforces, polyester resin binder MIL-R-7575 or Material of equal or better mechanical and electrical properties and suitable for the purpose. Surface shall be smooth and void free.
2. Examples of part numbers: MS25049 1A- Mast, Antenna, Lead-Through 7,500 Volts.
MS25049-1B – Mast, Antenna, Lead through 10,000 Volts.
3. Dimensions are in inches.
4. Unless otherwise specified tolerances : One place decimals.
5. Threads shall conform to MIL-S-7742.
6. Maximum weight 3.50 pounds.

MS25049C



Ltr	Dimensions	Ltr	Dimensions
A	See page 1 (MS Part Number)	J	.25
B	2.50 ±.25	K	1.23
C	.6	L	3.9
D	.06	M	1.67
E	.78	N	3.35 ± .05
F	2.0 ± .5	P	1.04 +.8 -.02
G	.42	S	1.25
H	.85	T	24.0

FIGURE 1. Dimensions and configuration

MS25049C

NOTES:

1. Support sleeve MS25056 is a part of the lead-through mast for acquisition purposes.
2. Mast shall be hollow if and only if performance is not compromised.

FIGURE 1. Dimensions and configuration -Continued

Referenced documents. In addition to MIL-DTL-7965, this document references the following:

MIL-R-7575

MIL-S-7742

MS25056

Marginal notations are not used in this revision to identify changes with respect to the previous issue due to the extent of the changes.

Custodians:

Navy – AS

Air Force – 85

DLA – CC

Preparing activity

DLA -CC

(Project 5985-2014-014)

Review activities:

Air Force – 99

NOTE: The activities listed above were interested in this document as of the date of this document. Since organizations and responsibilities can change, you should verify the currency of the information above using the ASSIST Online database at <https://assist.dla.mil/>.