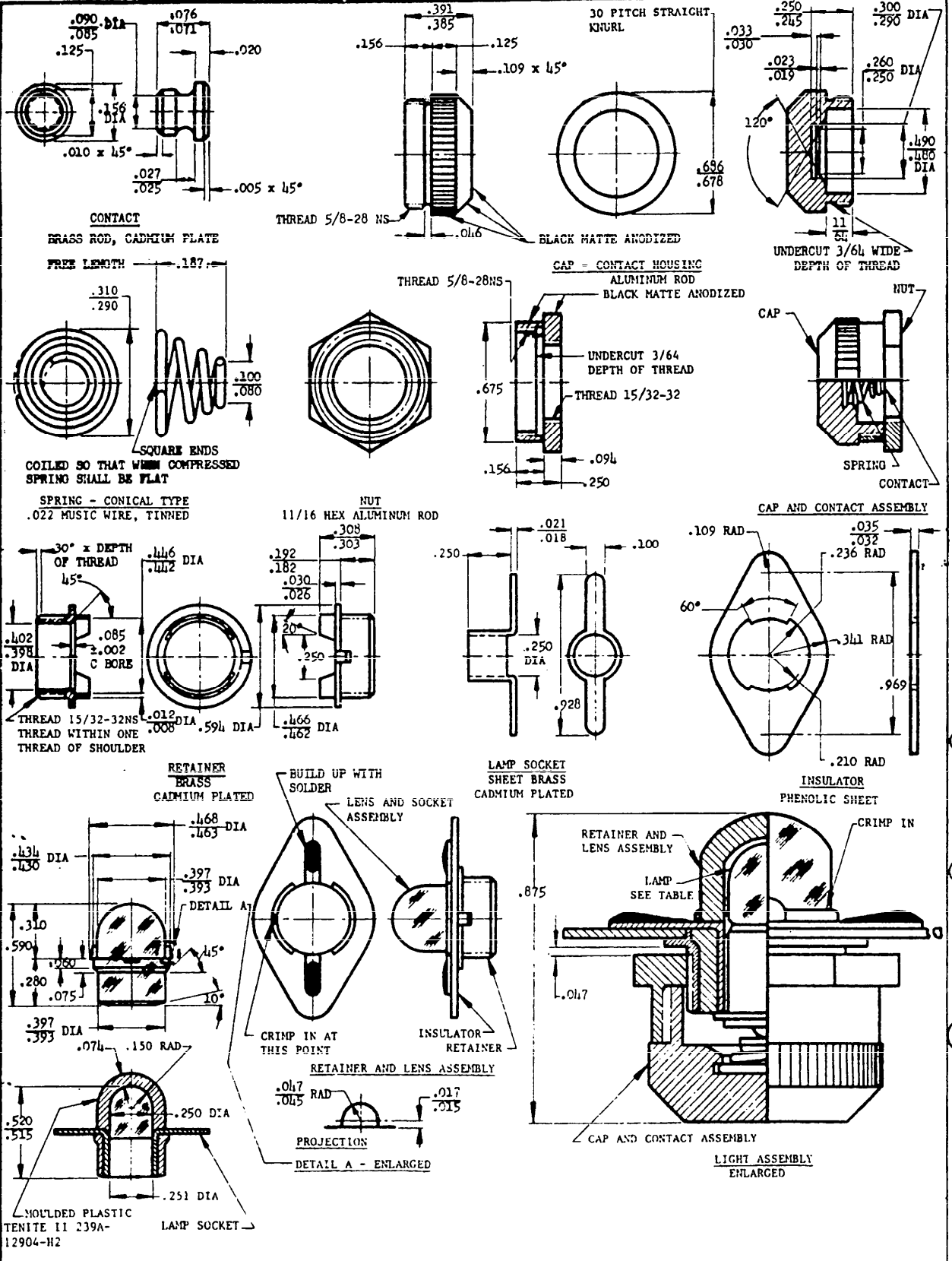


NOTICE: When Government drawings, specifications, or other data are used for any purpose other than in connection with a definitely related Government procurement operation, the United States Government thereby incurs no responsibility, nor any obligation whatsoever; and the fact that the Government may have furnished, furnished, or other data is not to be regarded as an implication or otherwise as an approval or endorsement of the quality, or in any way supplied the said drawings, specifications, or other data in such a manner that it may in any way be related thereto.



(C) SEE SHEET 2 FOR TABLE OF PART NUMBERS.

(C) DENOTES CHANGES

CUSTODIAN Navy - AS Air Force 99	MILITARY STANDARD	MS25023
PROCUREMENT SPECIFICATION MIL-L-6723	LIGHT, INDICATOR	SHEET 1 OF 2

APPROVED 16 Nov 52 REVISED A 20 Feb. 1980 B 20 OCT 80 C 12 OCT 83

FED. SUP CLASS

6210

Ⓒ

MS PART NUMBER (NOTE 1)
INDICATOR LIGHT ASSEMBLY
WITHOUT LAMP

MS PART NUMBER (NOTES 1 & 2)
INDICATOR LIGHT ASSEMBLY
WITH LAMP SUPPLIED

LAMP SUPPLIED (REF)

MS PART NO.	VOLTAGE
MS25237-327	28
MS25237-328	6
MS25237-328R	6
MS25237-891E	14

MS25023-1

MS25023-1-327

MS25237-327

28

MS25023-1-328

MS25237-328

6

MS25023-1-328R

MS25237-328R

6

MS25023-1-891E

MS25237-891E

14

Ⓒ NOTES:

1. THE PART NUMBER TO BE MARKED ON THE INDICATOR LIGHT ASSEMBLY SHALL BE THAT OF THE LIGHT ASSEMBLY WITHOUT LAMP (MS25023-1).
2. WHEN LAMP IS TO BE SUPPLIED WITH THE MS25023-1 INDICATOR LIGHT ASSEMBLY, SPECIFY THE APPROPRIATE PART NUMBER CONSISTING OF THE LIGHT ASSEMBLY PART NUMBER WITH AN ADDED DASH NO. INDICATING THE REQUIRED LAMP.

USER SYMBOLS:

REVIEWER SYMBOLS:

"Review/user information is current as of the date of this document. For future coordination of changes to this document, draft circulation should be based on the information in the current DODSS."

This military standard is approved for use by all Departments & Agencies of the Department of Defense. Selection for all new engineering and design applications and for repetitive use shall be made from this document.

APPROVED 18 NOV 52 REVISED Ⓒ FOR CHANGES SEE SHEET 2

P.A.
NAVY - AS
Other Cust
AIR FORCE - 99

TITLE

LIGHT, INDICATOR

MILITARY STANDARD

MS25023

PROCUREMENT SPECIFICATION
MIL-L-6723

SUPERSEDES:

SHEET 2 OF 2