

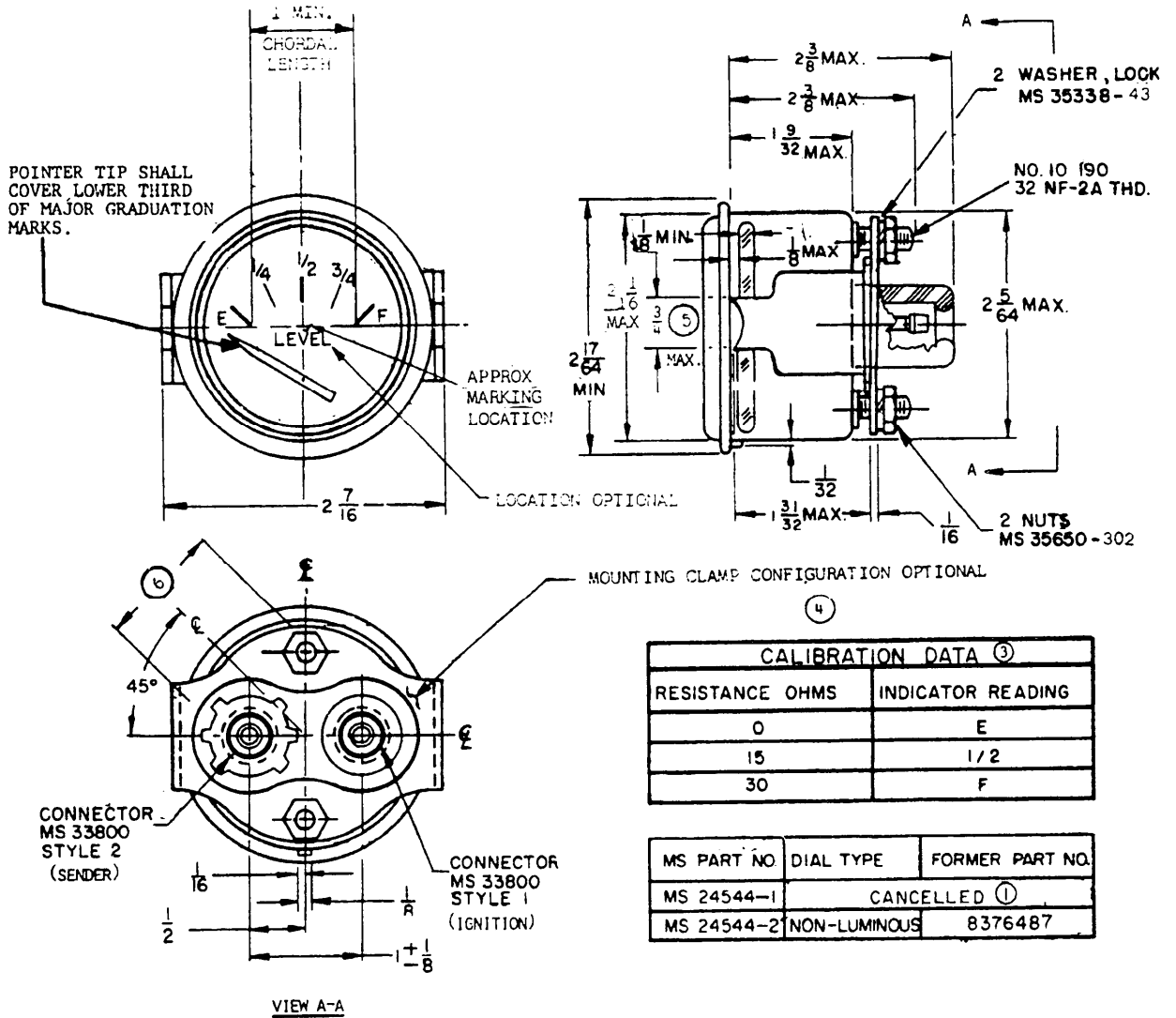
USER ACTIVITIES:
ARMY-ME;NAVY-YD, MC

REVIEW ACTIVITIES:
ARMY-ER, DLA-CS

This military standard is approved for use by all Departments and Agencies of the Department of Defense. Selection for all new engineering and design applications and for repetitive use shall be made from this document when applicable.

AMSC N/A

DISTRIBUTION STATEMENT A. Approved for public release; distribution is unlimited.



CALIBRATION DATA ③	
RESISTANCE OHMS	INDICATOR READING
0	E
15	1/2
30	F

MS PART NO.	DIAL TYPE	FORMER PART NO.
MS 24544-1	CANCELLED ①	
MS 24544-2	NON-LUMINOUS	8376487

(H) DENOTES CHANGES

P.A. ARMY-AT Other Cust AF-99	TITLE INDICATOR, LIQUID QUANTITY: 24 VOLT DC, ENGINE FUEL	MILITARY STANDARD MS24544
PROCUREMENT SPECIFICATION MIL-I-10986	SUPERSEDES:	SHEET 1 OF 2

APPROVED 27 OCTOBER 1958 REVISED (E) 11 SEPTEMBER 1978 (G) 25 SEP 1980 (H) 11 DEC 86

FED. SUP CLASS
6680

REQUIREMENTS:

1. REPLACEMENT DATA: MS24544-2 IS THE REPLACEMENT FOR MS24544-1.
2. TYPE I (LIQUID QUANTITY) UNIT 1 (INDICATOR) OF PROCUREMENT SPECIFICATION.
3. MUST OPERATE LINEARLY AND ACCURATELY WHEN PROPERLY CONNECTED IN A CIRCUIT WITH ASSOCIATED TRANSMITTER, MS500040.
4. RELATIVE LOCATION AND CONFIGURATION OF CONNECTORS AND MOUNTING CLAMP IS OPTIONAL, PROVIDED THAT DIAL ILLUMINATION IS NOT ADVERSELY AFFECTED.
5. MOUNTING CLAMP TIPS SHALL BE SHARP TO ASSURE GROUNDING.
6. FOUR (4) ILLUMINATING WINDOWS, 1-5/32 MIN CHORDAL LENGTH, EQUALLY SPACED 45° OFF HORIZONTAL CENTER LINE (360° ILLUMINATING WINDOW OPTIONAL).
- (H) 7. UNLESS OTHERWISE SPECIFIED, STEEL PARTS SHALL BE ZINC PLATED, TYPE II, SERVICE CONDITION 1 OF ASTM B 633.
8. CENTERLINE OF DIAL FACE SHALL BE WITHIN $\pm 2^\circ$ OF INDICATOR VERTICAL AXIS. VERTEX OF ANGULAR DIMENSIONS IS LOCATED AT POINTER PIVOT.
9. THREADS SHALL BE IN ACCORDANCE WITH FED-STD-H28/2.
10. UNLESS OTHERWISE SPECIFIED, DIMENSIONS ARE IN INCHES; TOLERANCES ARE $\pm 1/64$ ON FRACTIONS, $\pm 1^\circ$ ON ANGULAR DIMENSIONS.
11. MARKING SHALL CONSIST OF THE MS PART NUMBER AND MANUFACTURER'S IDENTIFICATION IN ACCORDANCE WITH MIL-STD-130.

NOTES:

1. THIS STANDARD IS NOT INTENDED TO LIMIT CONSTRUCTION TO FEATURES OTHER THAN AS SHOWN HEREON BY DIMENSIONS, NOTATIONS, AND REFERENCED DOCUMENTS.
- (H) 2. REFERENCED GOVERNMENT DOCUMENTS OF THE ISSUE LISTED IN THAT ISSUE OF THE DEPARTMENT OF DEFENSE INDEX OF SPECIFICATIONS AND STANDARDS (DODISS) SPECIFIED IN THE SOLICITATION FORM A PART OF THIS STANDARD TO THE EXTENT SPECIFIED HEREIN.
- (H) 3. IN THE EVENT OF A CONFLICT BETWEEN THE TEXT OF THIS STANDARD AND THE REFERENCES CITED HEREIN, THE TEXT OF THIS STANDARD SHALL TAKE PRECEDENCE.

APPROVED 27 OCTOBER 1958 REVISED (H) FOR CHANGES SEE SHEET 2

P.A. Other Cust	TITLE	MILITARY STANDARD
	INDICATOR, LIQUID QUANTITY: 24 VOLT DC, ENGINE FUEL	MS 24544
PROCUREMENT SPECIFICATION	SUPERSEDES:	SHEET 2 OF 2