

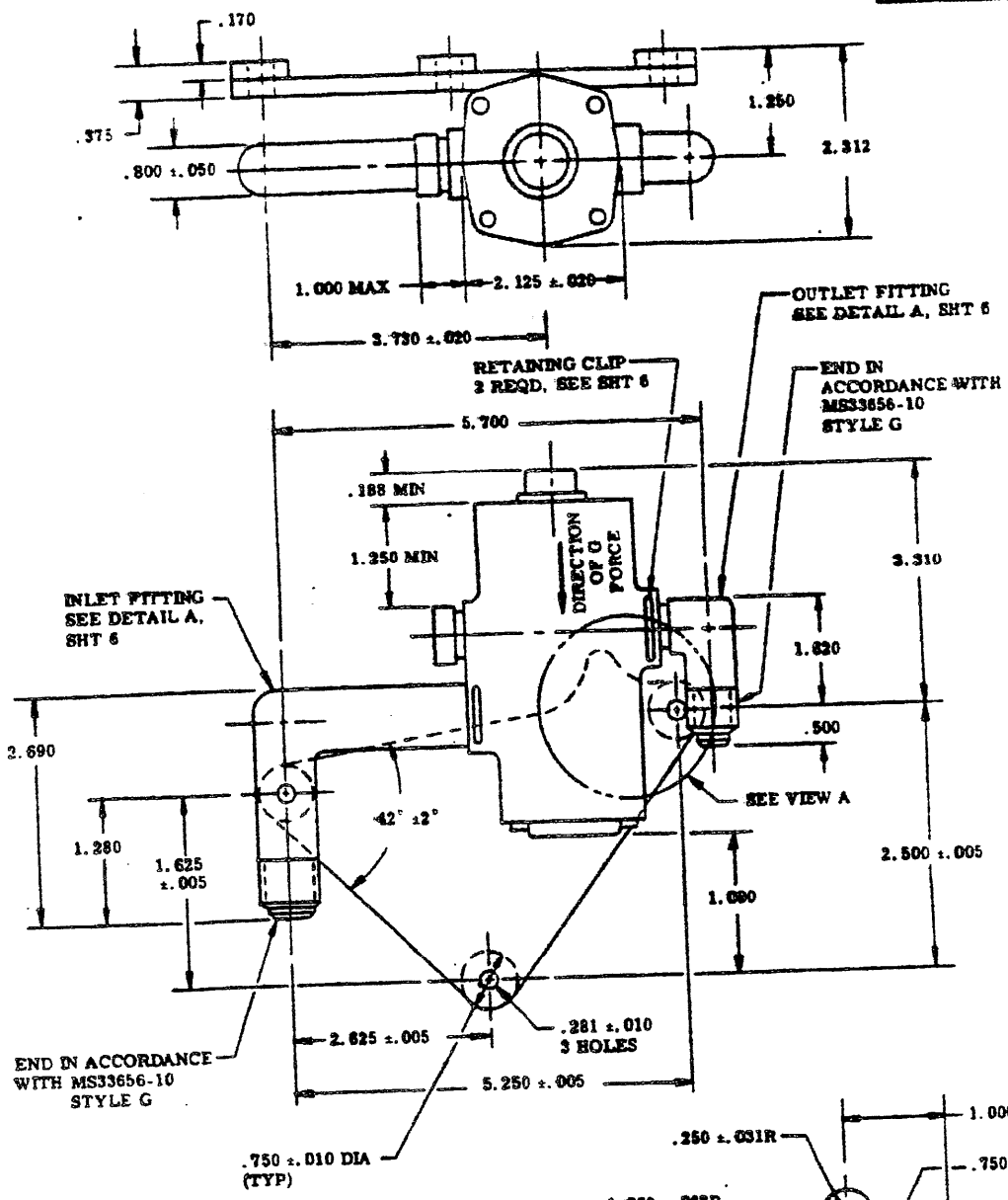
FED. SUP CLASS
166 C

USER SYMBOL:

REVISED SYMBOLS:
NAVY - AS
USAF - 11, 71

Revision/issue information is current as of the date of this document. Per future coordination of changes to this document, draft circulation should be based on the information in the current 000155.

This drawing is prepared in accordance with the Department of Defense Standard Drawing System for all drawings prepared by the Department of Defense. It is the responsibility of the designer to ensure that the drawing is in accordance with the Department of Defense Standard Drawing System and that the drawing is in accordance with the Department of Defense Standard Drawing System.



NOTE:
FITTINGS SHALL HAVE .040 HORIZONTAL TRAVEL IN LINE OF AXIS OF ROTATION OF FITTING.

ENTIRE STANDARD REVISED AND REDRAWN

VIEW A
ENLARGED

P.A. NAVY - AS Other Code USAF - 11	TITLE	MILITARY STANDARD
	VALVE, AUTOMATIC PRESSURE REGULATING ANTI-G SUIT	MS24350
PROCUREMENT SPECIFICATION MIL-V-9370	SUPERSEDES NADC DWG CL210A1. USAF DWGS 53C3905, 53C3906, MS24350(ASG)	SHEET 1 OF 2

DD FORM 672-1 (Coordinated)

PREVIOUS EDITIONS OF THIS DRAWING OBSOLETE

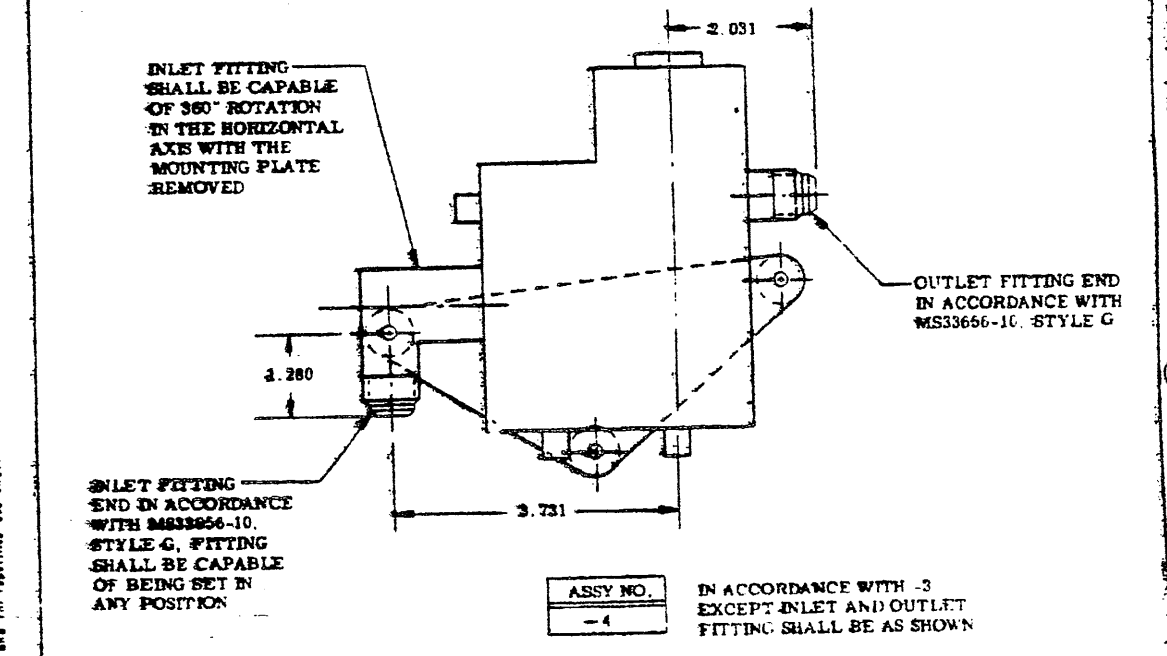
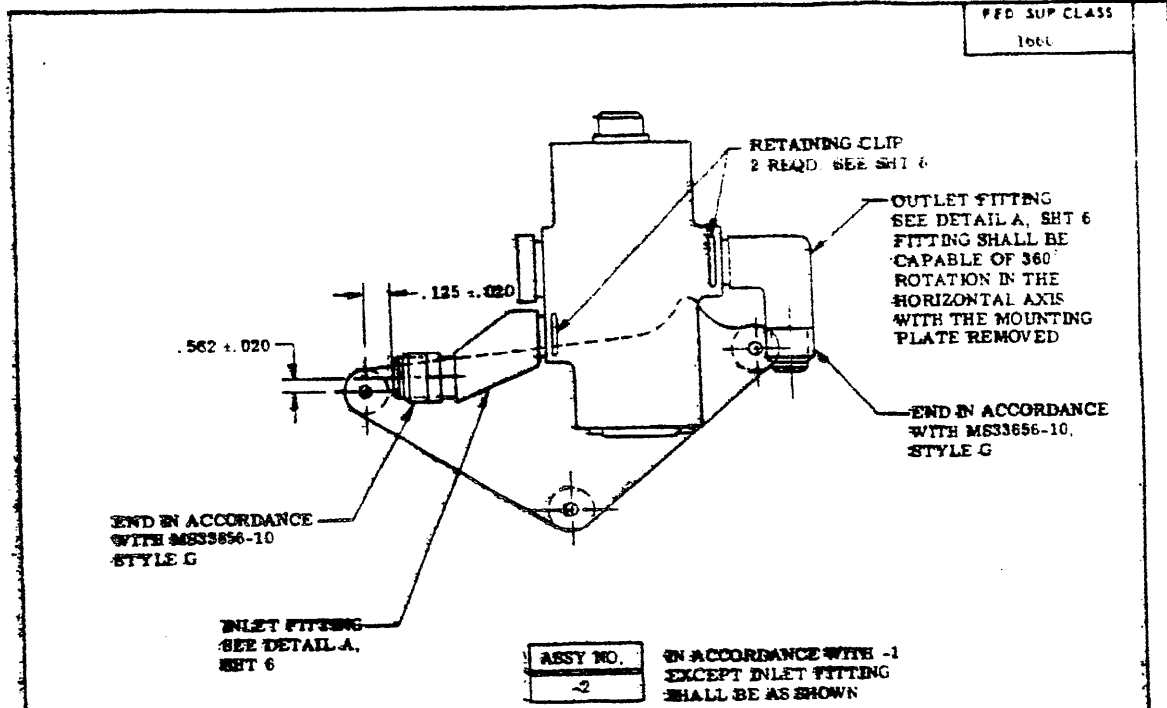
REVISED (J) 18 FEB 75
APPROVED 20 JAN 56

USER SYMBOLS:

REVISION SYMBOLS:
NAVY - AS
USAF - 11, 71

*Revised/added information is correct as of the date of this document.
For future coordination of changes to this document, draft circulation
should be based on the information in the current document.

This military standard is approved for use by all Departments
in accordance with the Department of Defense Acquisition Regulation
and for application and for approval with other
agencies as made from this document.



NOTE: FOR -3 ASSY SEE SHEET 3

P.A. NAVY - AS Other Cyst USAF-11	TITLE VALVE, AUTOMATIC PRESSURE REGULATING ANTI-G SUIT	MILITARY STANDARD MS24350
PROCUREMENT SPECIFICATION MIL-V-837C	SUPERSEDES NADC DWG CL210A1. USAF DWGS 53C3905, 53C3906, MS24350(ASS)	SHEET 1 OF 1 PART NO.

APPROVED 28 JAN 58 REVISED 7 FOR CHANGES SEE SHEETS 1 THRU 7

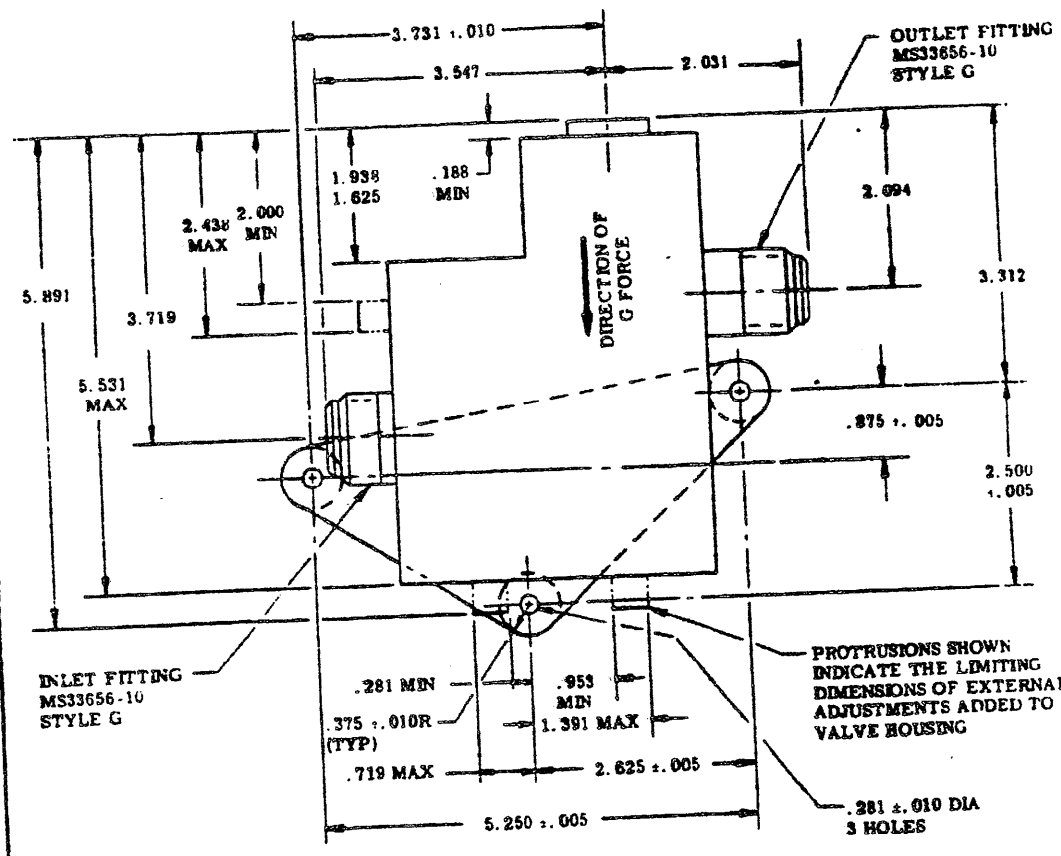
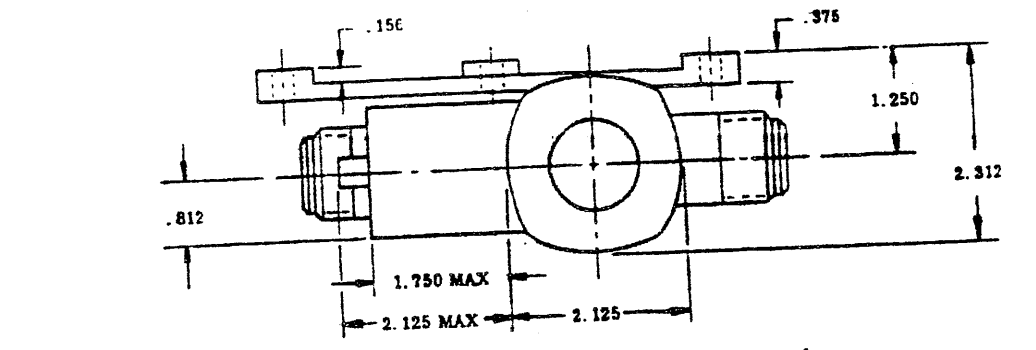
FED SUP CLASS
1669

USER SYMBOLS:

REVISOR SYMBOLS:
NAVY - AS
USAF - 11, 71

"Review/rev" information is correct as of the date of this drawing. For future reorganization of drawings to this drawing, each modification should be made on the information in the current drawing.

It is hereby approved for use by the Department of Defense and the Department of Defense to replace the old drawing and to be used for the manufacture of parts for the Department of Defense. The Department of Defense is not responsible for the use of this drawing for any other purpose.



ASSY NO.
-3

REVISED (J) FOR CHANGES SEE SHEETS 1 THRU 7
APPROVED 28 JAN 56

P.A. NAVY-AS Other Code USAF - 11	TITLE VALVE, AUTOMATIC PRESSURE REGULATING ANTI-G SUIT	MILITARY STANDARD
REQUIREMENT SPECIFICATION MIL-V-9590	SUPERSEDES NADC DWG CI210A1. USAF DWGS 53C3905, 51C3906, MS24350(ASC)	MS24350 SHEET 3 OF 7

DD FORM 1672-1 (Coord. Ed.)

PLATE NO 2286

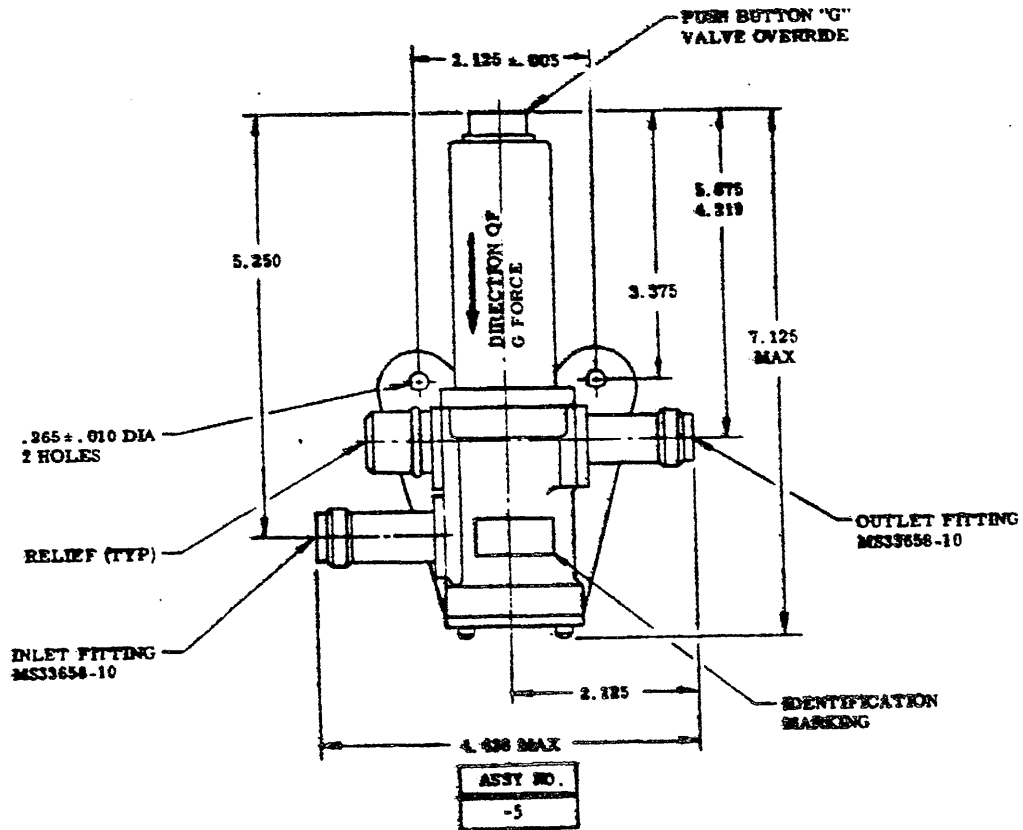
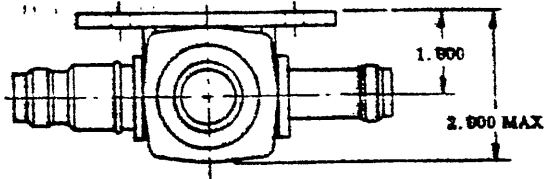
USER SYMBOLS:

REVISION SYMBOLS:
NAVY - AR
USAF - 11, 71

"Review/user information is current as of the date of this document. For future coordination of changes to this document, draft circulation should be based on the information in the current DD0155."

This military standard is approved for use by all Departments & agencies of the Department of Defense. Selection for all new engineering and design applications and for repetitive use shall be made from this document.

FED. SUP CLASS
1660



PART NUMBER MS24350-6 INACTIVE FOR PROCUREMENT. MS24350-7 REPLACES AND IS INTERCHANGEABLE WITH MS24350-6. DO NOT REPLACE MS24350-7 WITH MS24350-6.

APPROVED 26 JAN 56 REVISED (J) FOR CHANGES SEE SHEETS 1 THRU 7

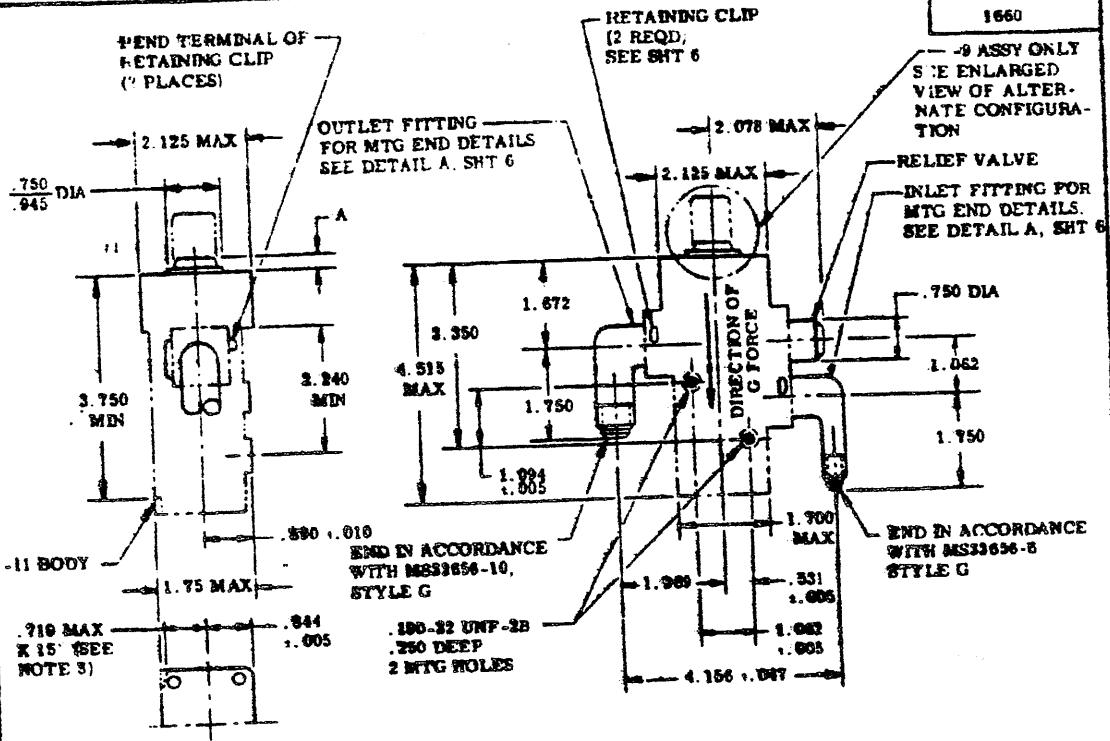
P.A. NAVY - AS Other Case: USAF - 11	TITLE VALVE, AUTOMATIC PRESSURE REGULATING, ANTI-G SUIT
PROCUREMENT SPECIFICATION MIL - V - 9370	SUPERSEDES NADC DWG. CL710A1 USAF DWGS 53C3905, 53C3906. MS24350(ASG)

MILITARY STANDARD	
MS24350	
SHEET 4	OF 7

USER SYMBOLS:

REVISOR SYMBOLS:
NAVY - AS
USAF - 11, 71

REQ. SUP CLASS
1660

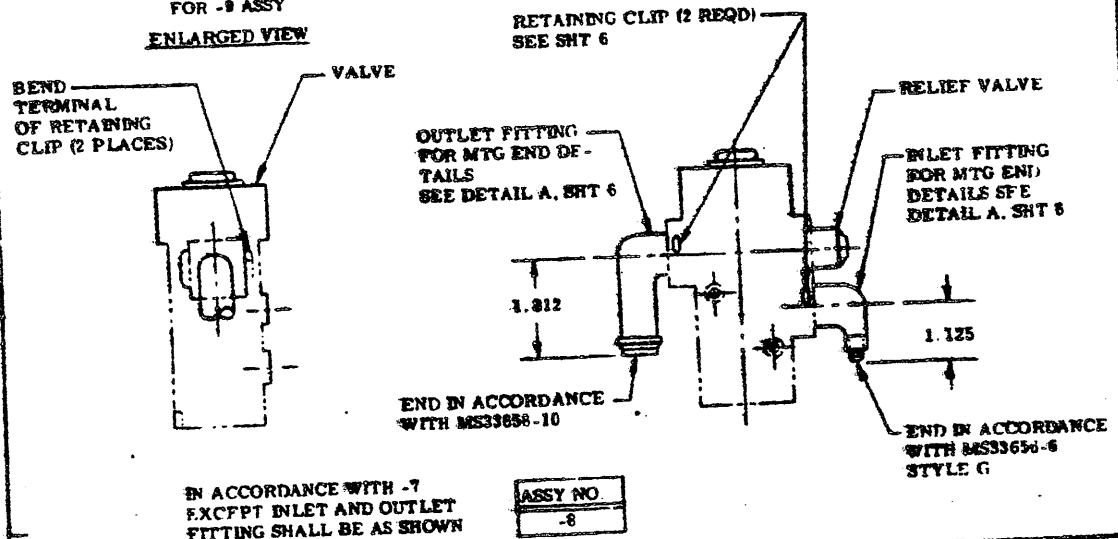


INLET AND OUTLET FITTINGS SHALL BE CAPABLE OF BEING SET IN ANY POSITION EXCEPT WHERE RELIEF VALVE INTERFERES WITH INLET FITTING.



FOR -9 ASSY ENLARGED VIEW

ASSY NO.	A
-7	.220
-9	1.261



ASSY NO.
-8

"Review/Spec. information is current as of the date of this document. For future consideration of changes to this document, draft preparation should be based on the information in the current drawings."

This drawing is approved for use by the Department of Defense Selection for use in the Department of Defense. It is not to be used for other purposes without the approval of the Department of Defense.

APPROVED 26 JAN 58 REVISED FOR CHANGES SEE SHEETS 1 THRU 7

P. A. NAVY - AS Other Cust USAF - 11	TITLE	MILITARY STANDARD
	VALVE, AUTOMATIC PRESSURE REGULATING ANTI-G SUIT	MS24350
PROCUREMENT SPECIFICATION MIL - V - 9370	SUPERSEDES NADC DWG CL210A1 USAF DWGS 53C3005, 53C3906 MS24350(ASC)	SHEET 5 OF 7

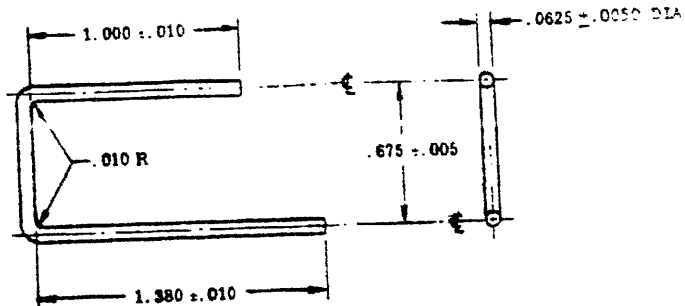
USER SYMBOL:

REVISED SYMBOLS:
NAVY - AS
USAF - 11, 71

"Master/user information is current as of the date of this document. For future coordination of changes to this document, draft circulation should be based on the information in the current DODISS."

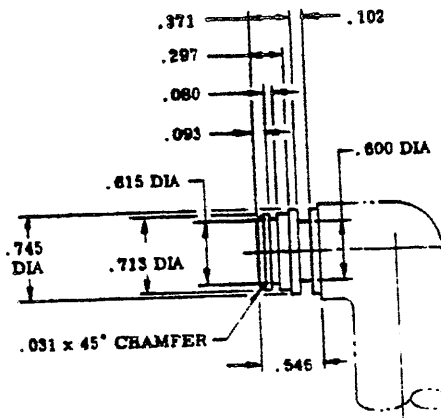
This military standard is approved for use by all departments in Agencies of the Department of Defense. Selection for all new engineering and design applications and for repetition use shall be made from this document.

FED. SUP CLASS
1660



RETAINING CLIP

USED ON VALVE ASSEMBLIES -1, -2, -7, -8, -9



NOTE: (DETAIL A ONLY)
DIMENSIONS IN INCHES. TOLERANCE ± .010.
DIAMETERS SHALL BE SQUARE AND CONCENTRIC WITHIN .003 TIR.

DETAIL A

(ENLARGED)

VALVE MATING END DETAILS FOR INLET AND OUTLET FITTINGS

APPROVED 26 JAN 56 REVISED (1) FOR CHANGES SEE SHEETS 1 THRU 7

P.A. NAVY - AS Chief Clerk USAF - 11	TITLE VALVE, AUTOMATIC PRESSURE REGULATING, ANTI-G SUIT	MILITARY STANDARD MS24350
PROCUREMENT SPECIFICATION MIL-V-8370	SUPERSEDES: RADC DWG. CL216A1 USAF DWGS 53C1905, 53C1906, MS24350(ASG)	SHEET 6 OF 7

DD FORM 672-1 (Coord) noted

PLATE No. 177

FED SUP CLASS
1660

USE THE SYMBOLS:

REVISION SYMBOLS:

NAVY - AS
USAF - 11, 71

"Revision/Issue information is current as of the date of this document. For future consideration of changes to this document, draft circulations should be based on the information in the current document."

This military standard is approved for use by all departments and agencies in the Department of Defense. Selection for use by other agencies and departments is permitted and encouraged and should be made from this document.

NOTES:

1. MATERIAL: RETAINING CLIP SHALL BE STEEL, CORROSION RESISTANT, (18-8) IN ACCORDANCE WITH MIL-S-7720. COMPOSITION 302. PHYSICAL CONDITION A.
2. DIMENSIONS IN INCHES. UNLESS OTHERWISE SPECIFIED, TOLERANCES: DECIMALS .031, ANGLES .1/2. DIMENSIONING AND TOLERANCING SHALL BE IN ACCORDANCE WITH USASI Y14.5.
3. SURFACE TEXTURE FOR INLET AND OUTLET FITTINGS SHALL BE IN ACCORDANCE WITH ANSI B46.1. UNLESS OTHERWISE SPECIFIED, THE SURFACE TEXTURE SHALL NOT EXCEED 63 MICROINCHES.
4. THREADS SHALL BE IN ACCORDANCE WITH MIL-S-7742.
5. INLET AND OUTLET PORTS SHALL BE PERMANENTLY IDENTIFIED.
6. WEIGHT PER ASSEMBLY, 3 POUNDS MAXIMUM.
7. PASSIVATE RETAINING CLIP IN ACCORDANCE WITH QQ-P-35.
8. TAPER REQUIRED ONLY IF THE BASE OF THE BODY EXCEEDS THE .719 DIMENSION AS SHOWN.

FOR DESIGN FEATURE PURPOSES, THIS STANDARD TAKES PRECEDENCE OVER PREVIOUS DOCUMENTS REFERENCED HEREIN. REFERENCED DOCUMENTS SHALL BE OF THE ISSUE IN EFFECT ON DATE OF INVITATION FOR BIDS.

APPROVED 26 JAN 55 REVISED (1) FOR CHANGES SEE SHEETS 1 THRU 7

P.A. NAVY - AS Other Code USAF - 11	TITLE	MILITARY STANDARD
	VALVE, AUTOMATIC PRESSURE REGULATING ANTI-G SUIT	MS24350
PROCUREMENT SPECIFICATION MIL-V-9370	SUPERSEDES	NADC DWG CL210A1 USAF DWGS 53C3905 53C3906 MS24350 (ASG)
		SHEET 7 OF 7