

INCH-POUND

MS24287D  
 14 July 2005  
 SUPERSEDING  
 MS24287C  
 15 June 1965

## DETAIL SPECIFICATION SHEET

MATED ASSEMBLY, CONNECTOR  
 RACK AND PANEL, MINIATURE

Inactive for new design after 8 June 1999.

This specification is approved for use by all Departments and Agencies of the Department of Defense.

The requirements for acquiring the product described herein shall consist of this specification sheet and MIL-DTL-26518.

The Qualified Products List (QPL) associated with this inactive for new design specification will be maintained until acquisition of the product is no longer required, where upon the specification and QPL will be canceled.

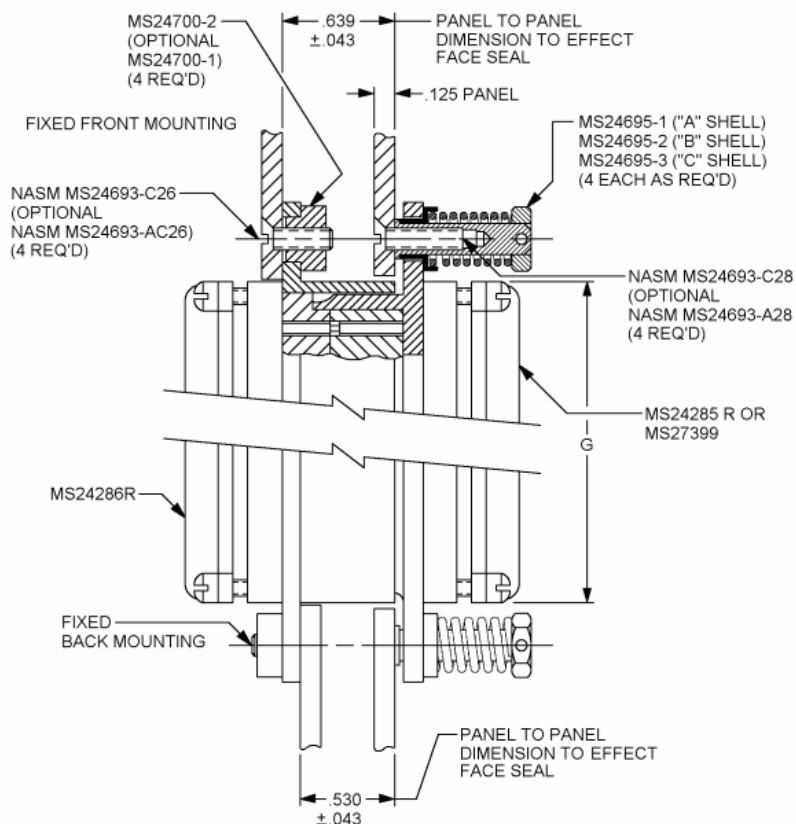
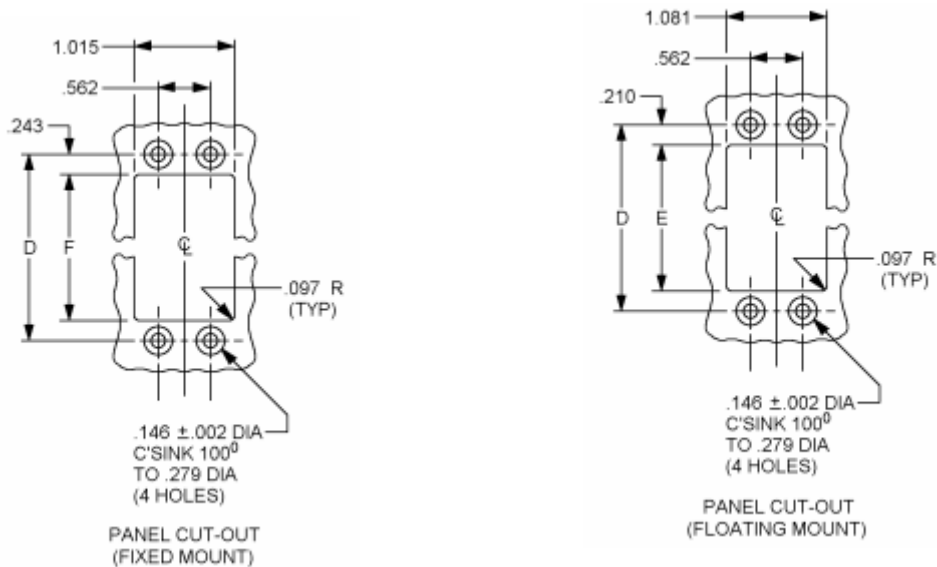


FIGURE 1. Connector mating and mounting details.

## MS24287D



Dimension	Shell size		
	A	B	C
D	3.875	2.445	2.000
E	3.454	2.025	1.580
F	3.388	1.959	1.528
G	3.375	1.945	1.516

Inches	mm	Inches	mm
.002	0.05	1.081	27.46
.043	1.09	1.516	38.51
.097	2.46	1.528	38.81
.125	3.18	1.580	40.13
.146	3.71	1.945	49.40
.210	5.33	1.959	49.53
.243	6.17	2.000	50.80
.530	13.46	2.025	51.44
.562	14.27	3.375	85.73
.639	17.60	3.388	86.06
1.015	25.78	3.454	87.73
		3.875	98.43

Mating and mounting details of MS24285R, MS24286R, and MS27399 connectors for service or test.

## NOTES:

1. Dimensions are in inches.
2. Metric equivalents are given for information only.
3. Unless otherwise specified tolerances are  $\pm 0.005$  inch (0.13 mm).

FIGURE 1. Connector mating and mounting details - Continued.

### MS24287D

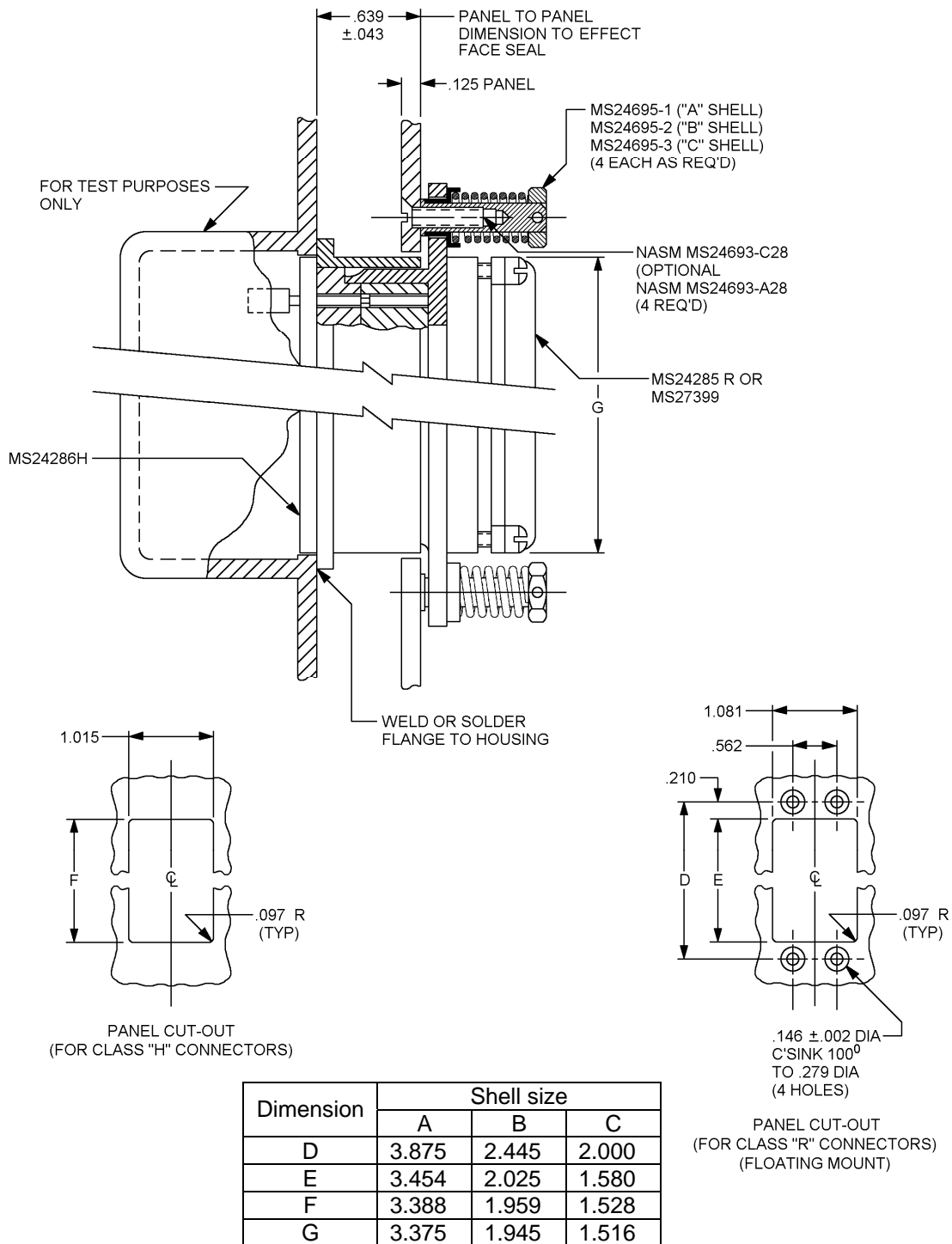


FIGURE 2. Connector mating and mounting details – Continued.

## MS24287D

Inches	mm	Inches	mm
.002	0.05	1.528	38.81
.043	1.09	1.580	40.13
.097	2.46	1.945	49.40
.125	3.18	1.959	49.53
.146	3.71	2.000	50.80
.210	5.33	2.025	51.44
.562	14.27	2.445	62.10
.639	17.60	3.375	85.73
1.015	25.78	3.388	86.06
1.081	27.46	3.454	87.73
1.516	38.51	3.875	98.43

Mating and mounting details of MS24285R, MS24286H, and MS27399 connectors for service or test.

## NOTES:

1. Dimensions are in inches.
2. Metric equivalents are given for information only.
3. Unless otherwise specified tolerances are  $\pm 0.005$  inch (0.13 mm).

FIGURE 2. Connector mating and mounting details.

MS24287D

REQUIREMENTS:

Dimensions and configuration see figure 1.

This is a design specification. Not to be used a part number.

Part or Identifying Number (PIN): N/A

Referenced documents: In addition to MIL-DTL-26518 this document references the following:

MS24285	MS27399
MS24286	NASM24693
MS24695	
MS24700	

Changes from previous issue. Marginal notations are not used in this revision to identify changes with respect to the previous issue due to the extent of the changes.

CONCLUDING MATERIAL

Custodians:  
Air Force - 11  
DLA - CC

Preparing activity:  
DLA - CC

(Project 5935-4700-000)

Review activities:  
DLA - IS

NOTE: The activities listed above were interested in this document as of the date of this document. Since organizations and responsibilities can change, you should verify the currency of the information above using the ASSIST Online database at <http://assist.daps.dla.mil>.