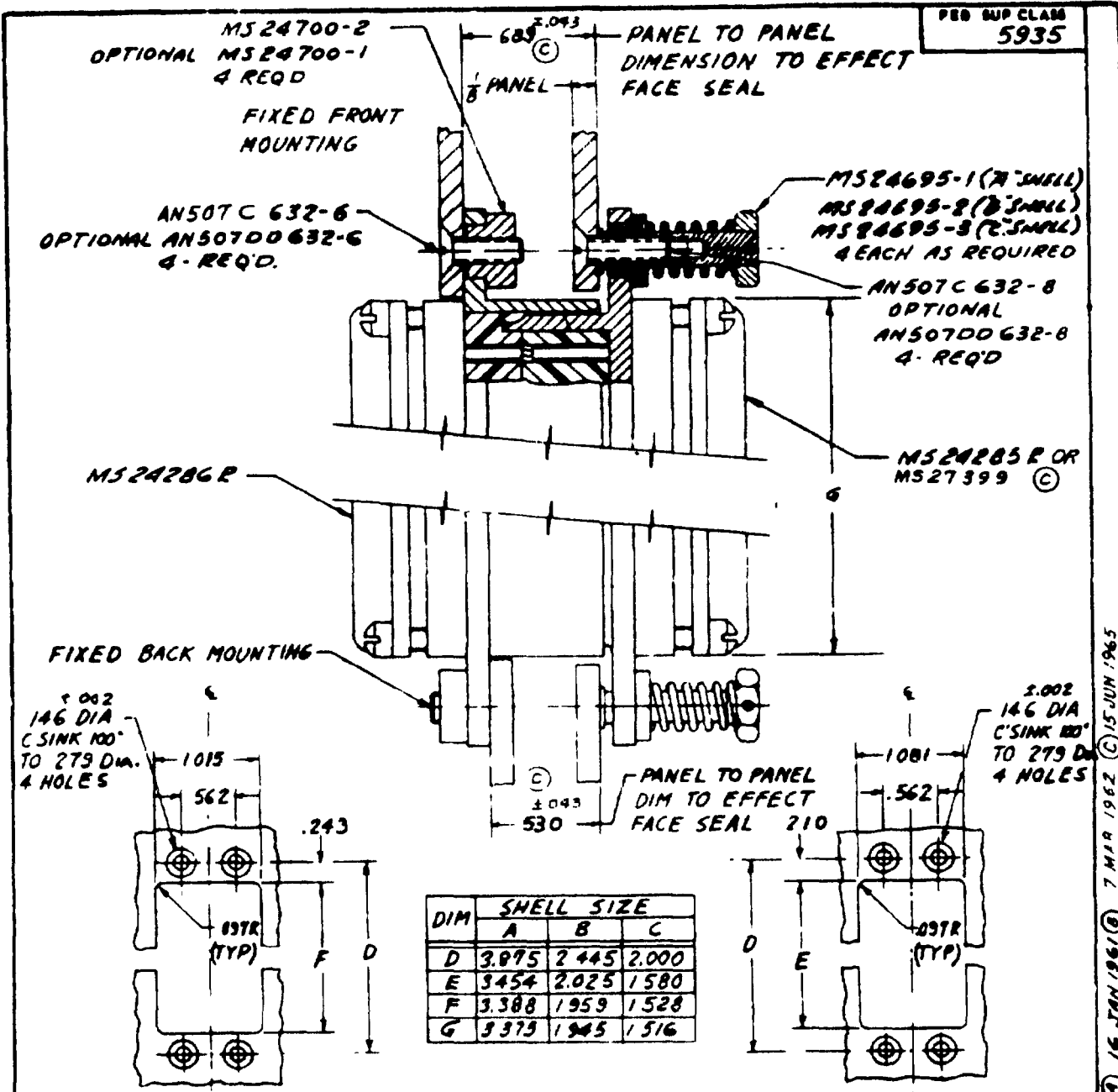


FED SUP CLASS
5935



DIM	SHELL SIZE		
	A	B	C
D	3.875	2.445	2.000
E	3.454	2.025	1.580
F	3.388	1.959	1.528
G	3.375	1.945	1.516

PANEL CUT-OUT (FIXED MOUNT)

PANEL CUT-OUT (FLOATING MOUNT)

THIS IS A DESIGN STANDARD NOT TO BE USED AS PART NUMBER
DIMENSIONS IN INCHES UNLESS OTHERWISE SPECIFIED, TOLERANCES: FRACTIONS $\pm 1/64$, DECIMALS $\pm .005$.

MATING AND MOUNTING DETAILS OF MS24285R, MS24286R AND MS27399 CONNECTORS FOR SERVICE OR TEST

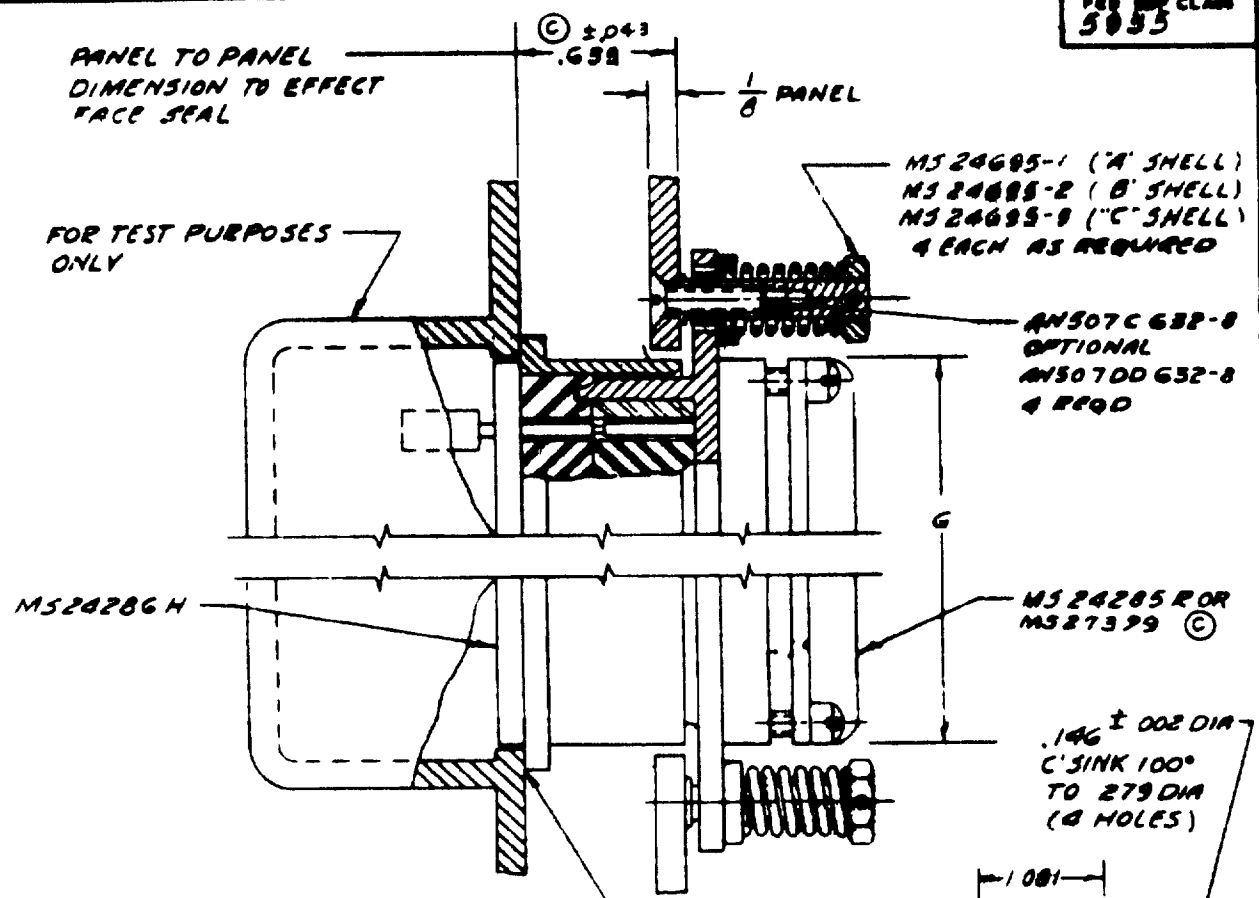
REFERENCED DOCUMENTS SHALL BE ISSUE IN EFFECT ON DATE OF INVITATIONS FOR BID FOR CHANGES SEE SHEET 182 THIS STANDARD TAKES PRECEDENCE OVER DOCUMENTS REFERENCED HEREIN

APPROVED 13 OCT 60 REVISED 16 JAN 1961 7 MAR 1962 15 JUN 1965

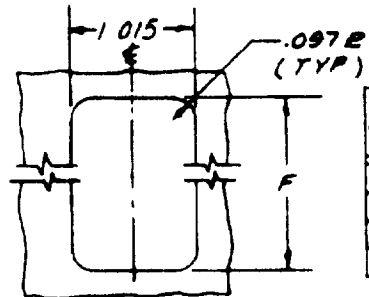
Standard has been approved by the... of the A-1... in conformity with... All other military specifications are required... unless otherwise specified.

P.A. USAF - 11 Other Code	TITLE MATED ASSEMBLY, CONNECTOR RACK AND PANEL, MINIATURE	MILITARY STANDARD MS24287 (USAF)
---------------------------------	---	--

FIG 202 CLASS
5055

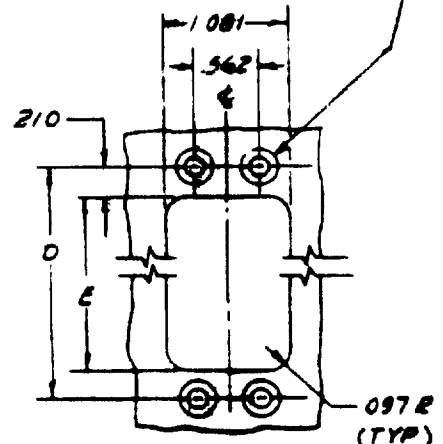


WELD OR SOLDER
FLANGE TO HOUSING



PANEL CUT-OUT
(FOR CLASS H CONNECTORS)

DIM	SHELL SIZE		
	A	B	C
D	2.875	2.445	2.000
E	3.434	2.025	1.580
F	3.380	1.939	1.528
G	3.375	1.945	1.516



PANEL CUT-OUT
(FOR CLASS R CONNECTORS)
FLOATING MOUNT

THIS IS A DESIGN STANDARD. NOT TO BE USED AS A PART NUMBER.
DIMENSIONS IN INCHES. UNLESS OTHERWISE SPECIFIED, TOLERANCES:
FRACTIONS $\pm 1/64$, DECIMALS $\pm .005$
MATING AND MOUNTING DETAILS OF MS24285R, MS24286H AND MS27399
CONNECTORS FOR SERVICE OR TEST.
REFERENCED DOCUMENTS SHALL BE ISSUE IN EFFECT ON DATE OF
INVITATIONS FOR BIDS
THIS STANDARD TAKES PRECEDENCE OVER DOCUMENTS REFERENCED
HEREIN.

REVISED 7 MAR 62 FOR CHANGES SEE SHEET 1 AND 2

APPROVED

PA USAF - II Other Code	TITLE MATED ASSEMBLY, CONNECTOR RACK AND PANEL, MINIATURE	MILITARY STANDARD
		MS24287(USAF)
PROCUREMENT SPECIFICATION MIL-C-26818	SUPERSEDES	SHEET 2 OF

This standard has been approved by the Department of Defense and is mandatory for use by all military activities and related activities. All other military activities are required to comply with standard when available.