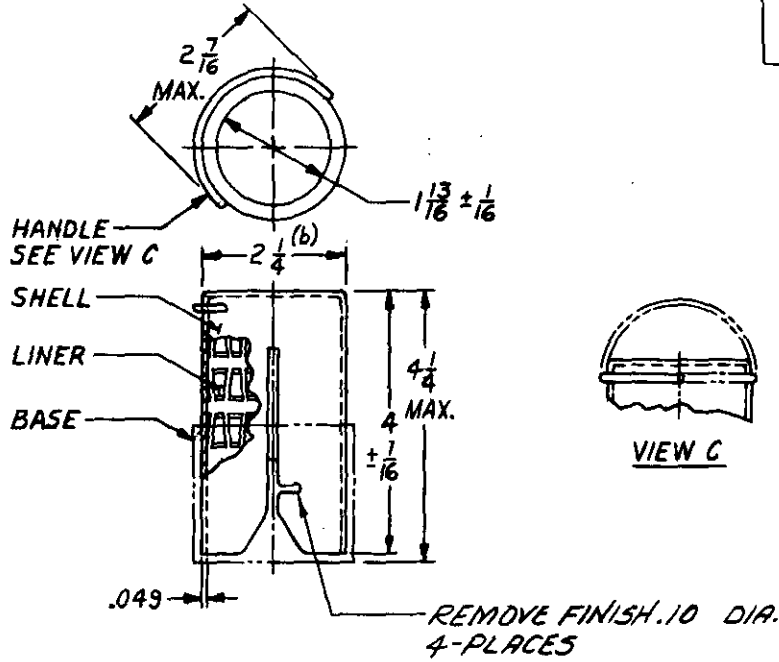


FED. SUP CLASS.
5960



MS PART NO.	WEIGHT GRAMS MAX.	TUBE ENVELOPE STYLE T14 (a)	USE WITH RETAINER
		LENGTH	
MS24279-1	98	4 57/16	MS24280-1

(a) For reference purpose only

Material: Handle; Beryllium Copper Wire Spec. QQ-C-530
Liner; Beryllium Copper Spec. QQ-C-533
Shell; Aluminum Spec. WW-T-789, Condition T6

Heat treatment: Liner; Heat treat full hrd

Finish: Handle; Chemical oxide Spec. MIL-F-495 and Henderlube 502A8 or equal
Liner; Chemical oxide Spec. MIL-F-495 and Henderlube 502A8 or equal
Shell; Anodize Spec. MIL-A-8625 and Henderlube 502A8 or equal

Dimensions in inches. Unless otherwise specified, tolerances: fractions ±1/64, decimals ±.005 and ±.01
Installation force shall not exceed 20 lbs to install shield over tube. No tool required for application or removal of shield from tube and mounting base. Top end of shield open.
Engaging torque: 20 pound inches max.

(b) Out-Of-Round resulting from slotting and forming shall not be cause for rejection.

**ⓑ CANCELED AFTER 17 JULY 1967
USE MIL-S-24251/16**

This standard takes precedence over documents referenced herein.

Referenced documents shall be the issue in effect on date of invitations for bid.

This standard has been approved by the department of the Air Force and is mandatory for use by that department. All other military activities are required to employ this standard where suitable.

APPROVED 10 MAR 60 REVISED (A) 8 JUN 61 (B) 17 JULY 1967

CUSTODIANS Air Force - II	OTHER INT. A - N - AF -	MILITARY STANDARD	MS24279 (USAF)
		SHIELD, ELECTRON TUBE-HEAT DISSIPATING, OCTAL, T16	
Procurement Specification MIL-S-9372		SUPERSEDES:	SHEET OF

NOTICE: When Government drawings, specifications, or other data are used for any purpose other than in connection with a definitely related Government procurement operation, the United States Government thereby incurs no responsibility, nor any obligation whatsoever; and the fact that the Government may have furnished, furnished, or in any way supplied the said drawings, specifications, or other data is not to be regarded by implication or otherwise as in any manner licensing the holder or any other person or corporation, or conveying any rights or compensation, or conveying any rights or compensation that may in any way be related thereto.