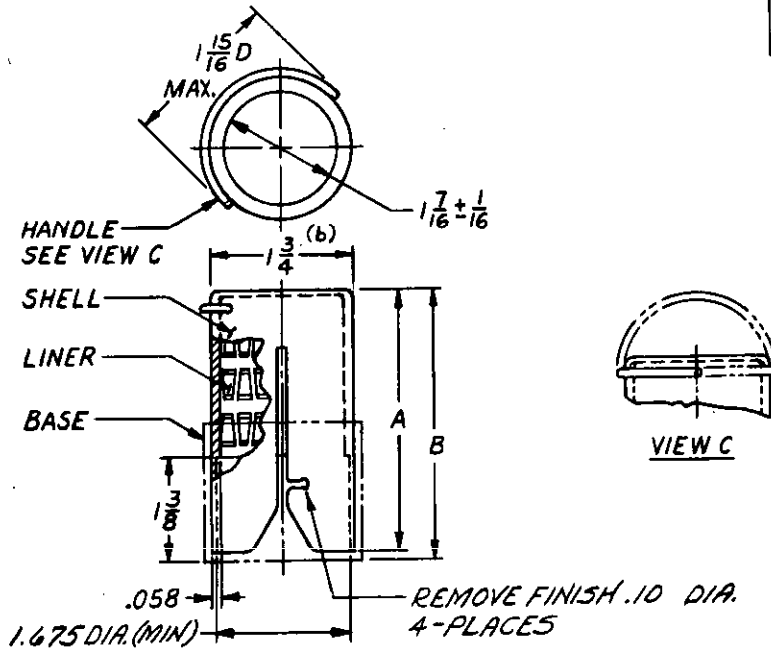


FED. SUP CLASS.
5960



MS PART NO.	A ± 1/16	B MAX.	WEIGHT GRAMS MAX.	TUBE ENVELOPE STYLE T12(a)	USE WITH RETAINER
				LENGTH	
MS24275-1	2 1/4	2 1/2	35	2 3/8	MS24277-1
MS24275-2	2 1/2	2 3/4	39	2 5/8	
MS24275-3	2 3/4	3	42	2 15/16	
MS24275-4	3	3 1/4	47	3 1/8	
MS24275-5	3 1/2	3 3/4	58	3 11/16	
MS24275-6	3 3/4	4	60	3 7/8	
MS24275-7	4	4 1/4	64	4 1/8	
MS24275-8	4 3/8	4 5/8	71	4 1/4	
MS24275-9	4 1/2	4 3/4	74	4 11/16	

(a) For reference purpose only

Material: Handle; Beryllium Copper Wire Spec. OO-C-530
 Liner; Beryllium Copper Spec. OO-C-533
 Shell; Aluminum Spec. WW-T-789, Condition T6

Heat treatment: Liner; Heat treat full hard

Finish: Handle; Chemical oxide Spec. MIL-F-495 and Henderlube 502A8 or equal
 Liner; Chemical oxide Spec. MIL-F-495 and Henderlube 502A8 or equal
 Shell; Anodize Spec. MIL-A-8625 and Henderlube 502A8 or equal

Dimensions in inches. Unless otherwise specified, tolerances: fractions ±1/64, decimals ±.005 and ±.01
 Installation force shall not exceed 20 lbs to install shield over tube. No tool required
 for application or removal of shield from tube and mounting base. Top end of shield open.
 Engaging torque: 20 pound inches max.

(b) Out-Of-Round resulting from slotting and forming shall not be cause for rejection.

This shield fits tube types with bases such as B8-71, B7-72, B6-73 and B5-74

This standard takes precedence over documents referenced herein.
 Referenced documents shall be the issue in effect on date of invitations for bid.
 This standard has been approved by the department of the Air Force and is mandatory for
 use by that department. All other military activities are required to employ this standard
 where suitable.

ⓑ CANCELED AFTER 17 JULY 1967. USE MIL-S-24251/12

CUSTODIANS Air Force-11	OTHER INT.	MILITARY STANDARD	MS24275 (USAF)
	A - N - AF -	SHIELD, ELECTRON TUBE-HEAT DISSIPATING FOR OCTAL T12 TYPE TUBES	
Procurement Specification MIL-S-9372	SUPERSEDES:		SHEET OF

APPROVED 11 MAR 60 REVISED (A) 8 JUN 61 (B) 17 JULY 1967

NOTICE: When Government drawings, specifications, or other data are used for any purpose other than in connection with a definitely related Government procurement operation, the United States Government thereby incurs no responsibility, nor any obligation whatsoever; and the fact that the Government may have furnished, furnished, or it may supply the said drawings, specifications, or other data, does not constitute an authorization or endorsement by implication or otherwise in any manner of the product or the quality thereof.