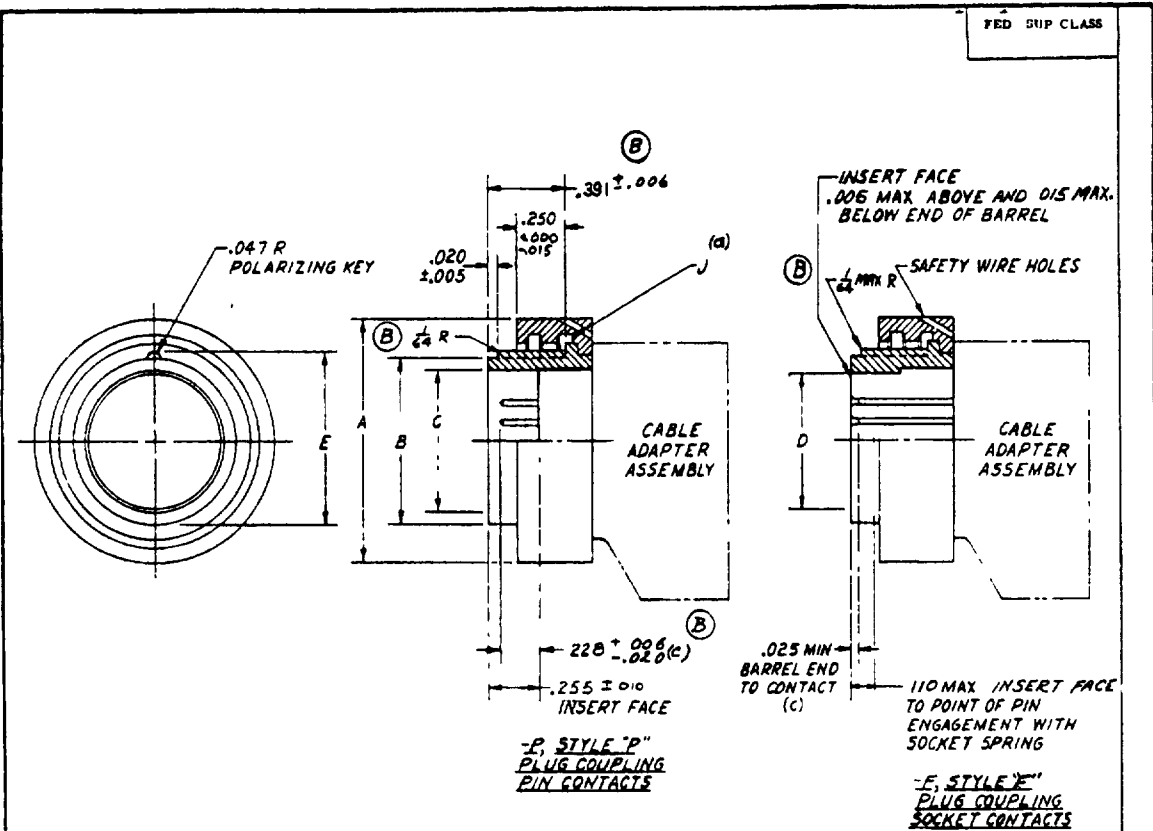


NOTICE: When Government drawings, specifications, or other data are used for any purpose other than in connection with a definite Government procurement operation the United States Government thereby incurs no responsibility, nor does it warrant or represent that the drawings, specifications, or other data are not to be regarded by implication or otherwise as in any way being the property of the Government or that its use in any way may be limited by any patent or other rights of any person or organization.



SIZE	A MAX O.D.	B BARREL O.D. ±.002	C ±.010 - .000 DIA.	D MAX INSERT O.D.	E BARREL O.D. PLUS KEY ±.002 - .010	(a) J COUPLING THREAD FEMALE
16	1 13/64	.807	.656	1.42	.839	1-6
19	1 11/32	.948	.812	1.798	.982	1 3/16 - 6
21	1 1/2	1.135	1.000	1.986 1.984	1.171	1 5/16 - 6

- (a) DIMENSION "J" REFERS TO A MODIFIED ACME THREAD DETAILS ARE SPECIFIED IN MIL-C-25955.
- (c) DIMENSIONS ON PIN AND SOCKET LOCATIONS APPLY WHEN CONTACTS ARE PLACED IN INSERTS FOR INSPECTION OR APPLICATION.

THE DIMENSIONS COVERED BY THIS DESIGN STANDARD APPLY TO CONNECTORS IN ACCORDANCE WITH MIL-C-25955 AND WHEN SPECIFIED AS A PART OF APPLICABLE MS STANDARDS COVERING INDIVIDUAL CONNECTORS

DIMENSIONS IN INCHES. UNLESS OTHERWISE SPECIFIED, TOLERANCES: DECIMALS ± .002 FRACTIONS ± 1/16.

CONTACTS SUPPLIED WITH BUT NOT INSTALLED IN CONNECTORS.

THIS IS A DESIGN STANDARD - NOT USED AS A PART NUMBER

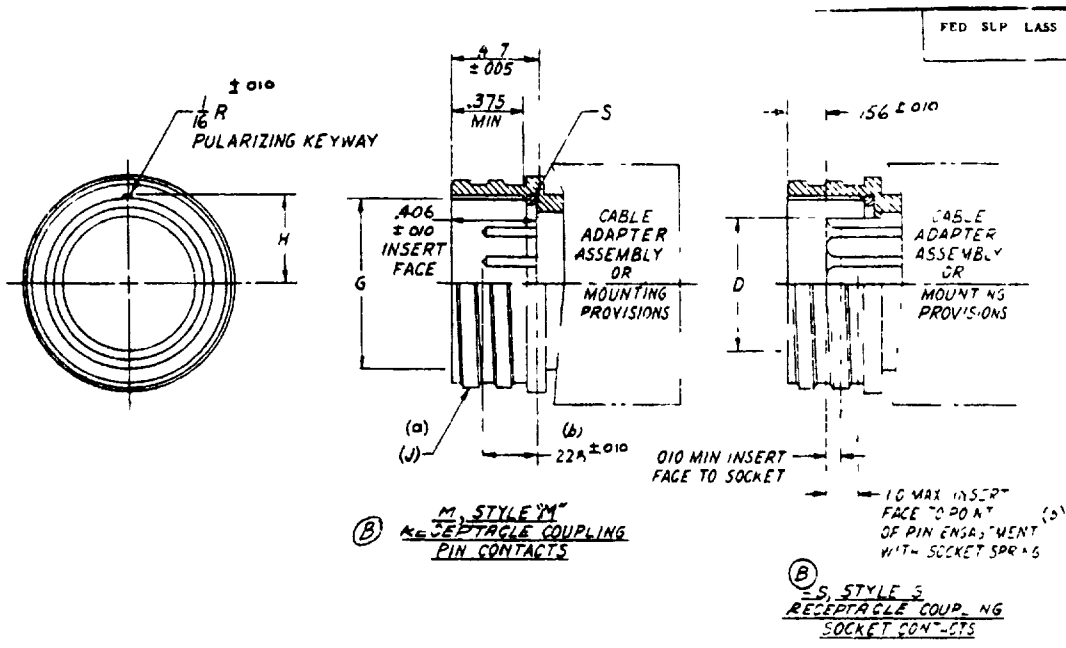
CUSTODIANS	OTHER INT	MILITARY STANDARD	MS24243 (USAF)
Air Force	A - N - AF -	COUPLING DIMENSIONS - RECEPTACLE ELECTRICAL CONNECTOR	
PROCUREMENT SPECIFICATION	SUPERSEDES	SHEET 1 OF 2	
NONE			

DD FORM 672-1
1 OCT 62

MWM CORP DAYTON, OHIO
11/40 3000

APPROVED 9 JAN 58 REVISED (A) 17 MAY 58 (B) 18 OCT 60

When Government drawings, specifications, or other data are used for any purpose other than in connection with a definitely related Government procurement operation, the United States Government thereby incurs no responsibility nor any obligation whatsoever, and the fact that the Government may have furnished or in any way supplied the said drawings, specifications, or other data is not to be regarded by implication or otherwise as in any manner licensing the holder or any other person or corporation, or conveying any rights or permission to manufacture, use, or sell any patented invention that may in any way be related thereto.



(B) M STYLE "M" RECEPTACLE COUPLING PIN CONTACTS

(B) S STYLE "S" RECEPTACLE COUPLING SOCKET CONTACTS

SIZE	D MAX INSERT O.D.	J COUPLING THREAD	G SLEEVE I.D. ±.010 -.005 MALE (a)	H SLEEVE RAD PLUS KEYWAY	S O RING (c)
16	.642	1-6	.811	.843	MS29513-19
9	.798	1 3/16-6	.952	.984	MS29513-21
21	.986	1 5/16-6	1.139	1.171	MS29513-24

- (a) DIMENSION J REFERS TO A MODIFIED ACME THREAD DETAILS ARE SPECIFIED IN MIL-C-25955.
- (b) DIMENSIONS ON PIN AND SOCKET LOCATIONS APPLY WHEN CONTACTS ARE PLACED IN INSERTS FOR INSPECTION OR APPLICATION.

THE DIMENSIONS COVERED BY THIS DESIGN STANDARD APPLY TO CONNECTORS IN ACCORDANCE WITH MIL-C-25955 AND WHEN SPECIFIED AS A PART OF APPLICABLE MS STANDARDS COVERING INDIVIDUAL CONNECTORS

DIMENSIONS IN INCHES. UNLESS OTHERWISE SPECIFIED, TOLERANCES: DECIMALS ± .002, FRACTIONS ± 1/16

- (B) (c) APPLICABLE FOR DIMS ONLY CONTACTS SUPPLIED WITH BUT NOT INSTALLED IN CONNECTORS.

THIS IS A DESIGN STANDARD - NOT USED AS A PART NUMBER

CUSTODIANS Air Force	OTHER INT A - N - AF -	MILITARY STANDARD	MS24243 (USAF)
	COUPLING DIMENSIONS - RECEPTACLE ELECTRICAL CONNECTOR		
PROCUREMENT SPECIFICATION NONE	SUPERSEDES:	SHEET 2 OF 2	

APPROVED 5 4 5 REVISED 1 MAY 56 (1) 18 OCT 60