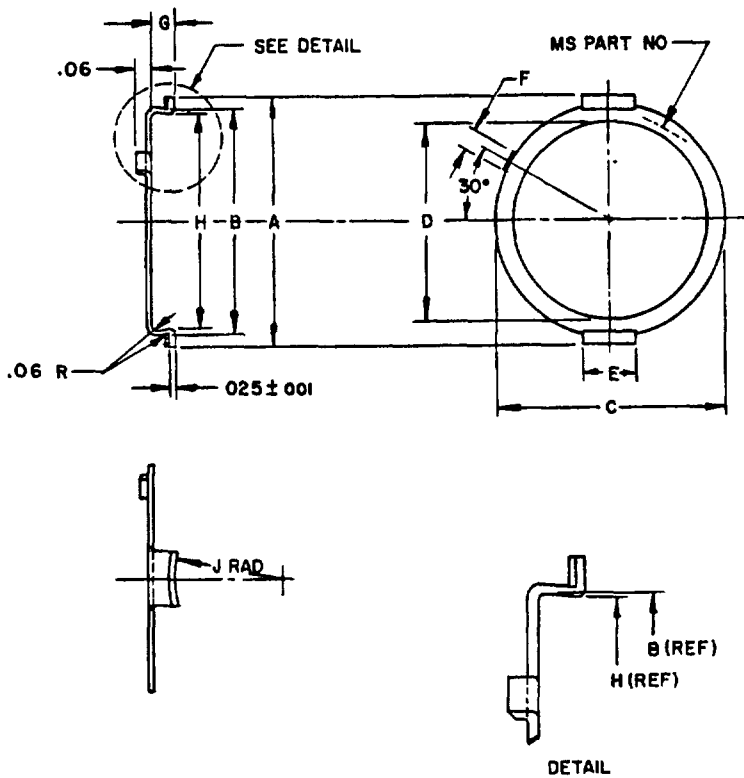


FED SUP CLASS
5935



| INCHES | MM |
|--------|-------|
| .001 | .03 |
| .010 | .25 |
| .015 | .38 |
| .025 | .64 |
| .06 | 1.52 |
| .09 | 2.29 |
| .11 | 2.79 |
| .25 | 6.35 |
| .28 | 7.11 |
| .380 | 9.65 |
| .47 | 11.94 |
| .473 | 12.01 |
| .50 | 12.70 |
| .507 | 12.88 |
| .567 | 14.40 |
| .59 | 14.99 |
| .62 | 15.75 |
| .66 | 16.76 |
| .72 | 18.29 |
| .882 | 22.40 |
| .942 | 23.93 |
| .97 | 24.64 |
| 1.06 | 26.92 |
| 1.12 | 28.45 |

| MS PART NUMBER | A | B | C Dia. | $\pm .010$ D Dia | E | F | G | H $\pm .015$ | J Rad |
|----------------|------|-----|-----------|------------------------|-----|-----|-----|-----------------|----------|
| MS24057-1 | .62 | .50 | .47 | .380 | .25 | .09 | .09 | .473 | .28 |
| MS24057-2 | .72 | .59 | .66 | .507 | .25 | .09 | .09 | .567 | .28 |
| MS24057-3 | 1.12 | .97 | 1.06 | .882 | .25 | .09 | .11 | .942 | .50 |

Ⓢ INACTIVE FOR NEW DESIGN
AFTER 6 DECEMBER 1971

NOTES:

1. Material - Brass, spec QQ-B-613, comp. 2, quarter hard. Finish - Cadmium plate, spec. QQ-P-416, type II, class 3.
2. Dimensions in inches Unless otherwise specified, tolerances are $\pm .02$ (.51 mm) for two place decimals and $\pm 1^\circ$ for angles
3. Referenced documents shall be of the issue in effect on the date of invitation for bids.
4. This standard takes precedence over documents referenced herein
5. The MS part number marking required on the item may be omitted by marking the packages or tagging the parts per MIL-STD-130.
6. Group A and B inspection is required in lieu of qualification

Ⓢ REDRAWN

| | | | |
|---------------------------------------|------------------------|--------------|-------------------|
| P A NAVY-EC | International interest | TITLE | MILITARY STANDARD |
| Other Cust AF-80 | | COUPLING-EAR | MS24057 |
| ARMY-EL | | | |
| Procurement Specification MIL-C-28748 | | SUPERSEDES: | SHEET 1 OF 1 |

DD FORM 10 APR 64 672 (Coordinated) PREVIOUS EDITIONS OF THIS FORM ARE OBSOLETE

5935-1722-9

Army ME, AM, WC
Navy MC, SH
Air Force

User activities

Army MI, MU, AT
Navy AS, OS
Air Force II

Reviewer activities

This military standard is mandatory for use by all Departments and Agencies of the Department of Defense. Selection for all new engineering and design applications and for repetitive use shall be made from this document

APPROVED 12 AUG 54 REVISED Ⓢ 6 Dec 1971