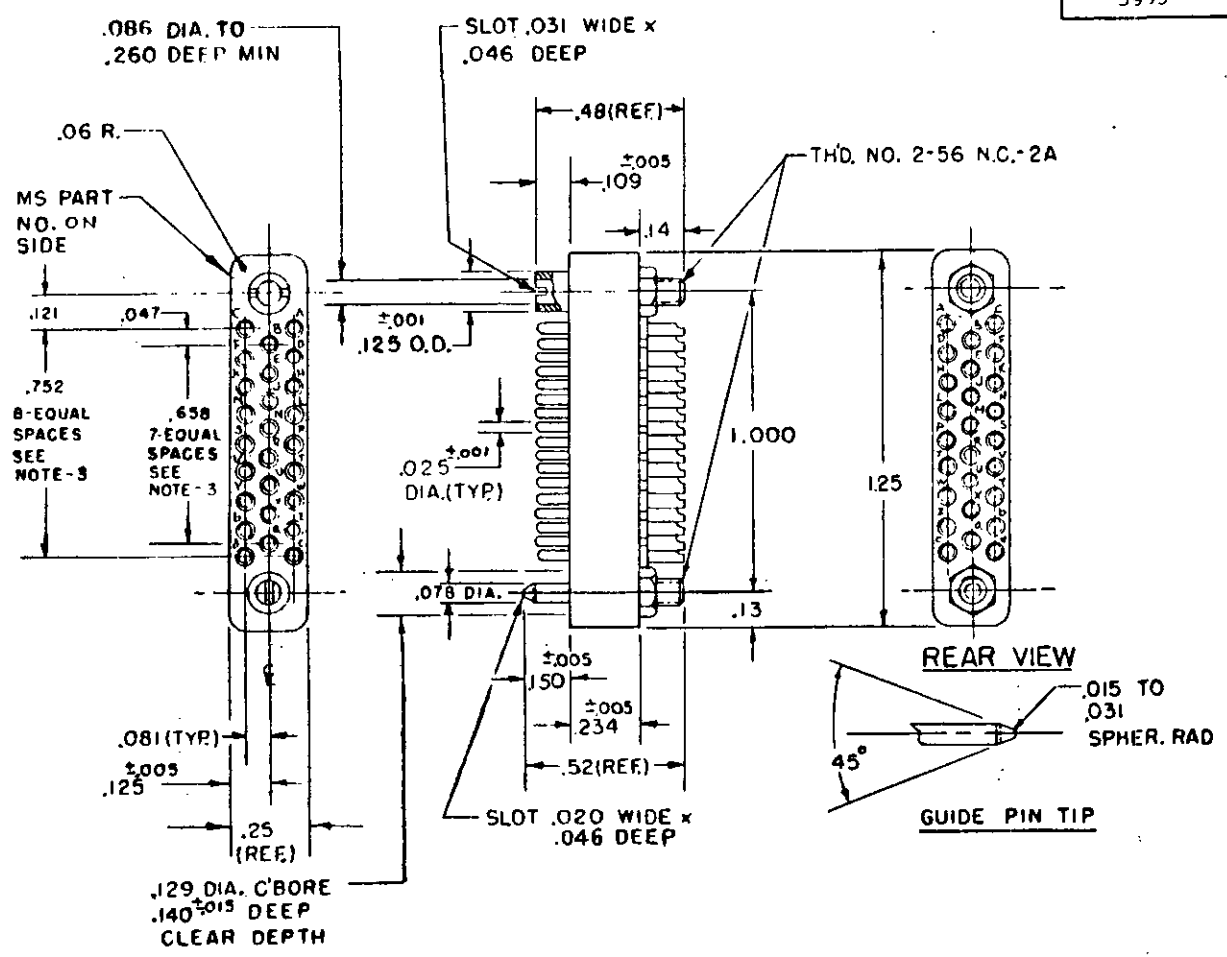


Reviewer user information is current as of the date of this document. . . or future coord. . . of changes to this document, draft circulation should be based on the information in the current DODISS (FSC listing).
AF II 17 II 80,11 ARMY MU II EL II NAVY AP II S-2 MC 3



MS PART NUMBER	VOLTAGE RATING AT 60 CPS		TEMPERATURE RATING °C
	AT SEA LEVEL VOLTS	AT 70,000 FT. VOLTS	
MS24050-1	Not approved for use		125
MS24050-2	350	90	150
MS24050-3	350	90	200

(F) CANCELLED AFTER 15 OCT 1975 USE M28748/7-E00GIA

- NOTES:
1. MATING CONNECTOR IS MS24049.
 2. FORCE REQUIRED TO INSERT OR WITHDRAW MATING CONNECTOR IS 12 LBS. MAX.
 3. MAXIMUM TOLERANCE BETWEEN ANY TWO MOLDED CONTACT CENTERS IS ±.002.
 4. APPLICABLE TOP CABLE OPENING IS MS24130-3.
 5. ALL DIMENSIONS IN INCHES. UNLESS OTHERWISE SPECIFIED, TOLERANCES ARE ±.01 OR ±.002, AS APPLICABLE, ON DECIMALS AND ±1/2° ON ANGLES.
 6. REFERENCED DOCUMENTS SHALL BE OF THE ISSUE IN EFFECT ON THE DATE OF INVITATION FOR BIDS.
 7. THIS STANDARD TAKES PRECEDENCE OVER DOCUMENTS REFERENCED HEREIN.
 8. AT THE OPTION OF THE MANUFACTURER, A LAND, BOSS, OR PAD OF 0.010 INCH MAXIMUM MAY BE ADDED TO THE MATING FACE OF THE MOLDING FOR PROTECTION OF RAISED LETTERS WHERE USED.

This military standard is approved by the Department of Defense and is mandatory on all activities. Selection for all new engineering and design application and for repetitive use shall be made from this document.

P.A. Other Cust	AF-185 ARMY - EL NAVY - EC	TITLE CONNECTOR, PLUG-RECEPTACLE, ELECTRICAL, RECTANGULAR, 26 CONTACTS, MALE, 3 AMPS	MILITARY STANDARD MS24050
PROCUREMENT SPECIFICATION MIL-C-8384	SUPERSEDES: MS24050 USAF	SHEET	OF

APPROVED 12 AUG. 1954 REVISED A 4 JUNE 1955 B 20 MAR 1957 C 5 DEC 1957 D 20 JUNE 1963 E 3 APR 1964 F 15 OCT 1975