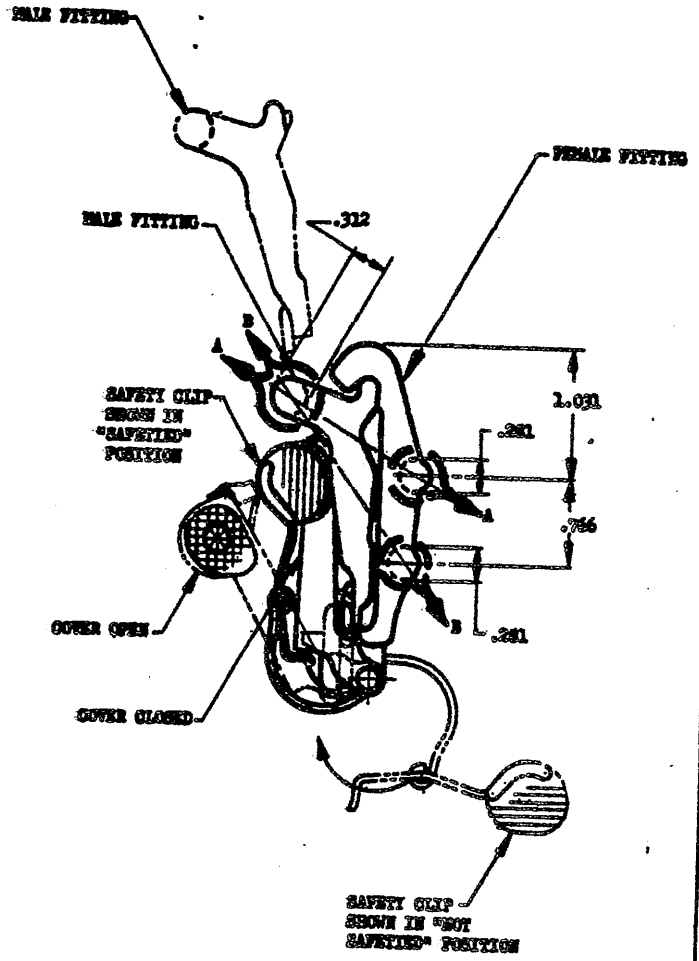
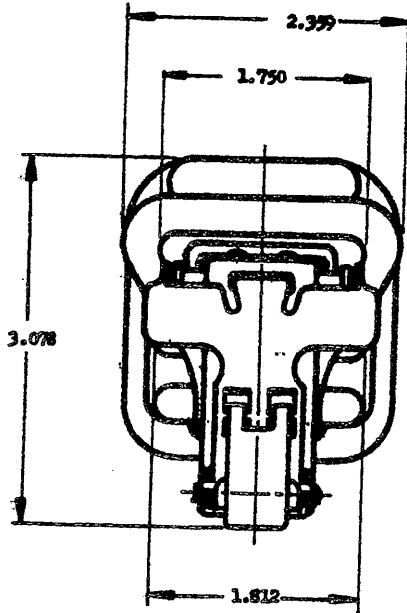


NOTES: When Government drawings, specifications, or other data are used for any purpose other than in connection with a definitely related Government procurement operation, the United States Government thereby incurs no responsibility, nor any obligation whatsoever; and the fact that the Government may have furnished, furnished, or other data is not to be regarded by implication or otherwise as in any manner licensing the holder or any other person, or authorizing the holder or any other person, to reproduce, copy, or disseminate in any way information that may be related thereto.



MS ASSY PART NO.
MS22008-1

ASSEMBLY MS22008-1 SHALL BE PROOF LOADED IN ACCORDANCE WITH THE REQUIREMENTS OF THE PROCUREMENT SPECIFICATION AT 5,000 LB (STATIC) AS INDICATED BY ARROWS A-A AND B-B. TWO SEPARATE PROOF LOADS.

WITH LOAD OF 500 LB APPLIED AS INDICATED FOR PROOF LOAD, A MAXIMUM PULL OF 15 LB ON COVER MUST RELEASE MALE FITTING.

FULL REQUIRED TO REMOVE SAFETY CLIP SHALL APPROXIMATE 6 LB.

MOVING SAFETY CLIP FROM "NOT SAFETIED" POSITION TO "SAFETIED POSITION" MUST CLOSE AND LOCK COVER IN PLACE.

DIMENSIONS IN INCHES. DIMENSIONS SHOWN ARE FOR REFERENCE ONLY.

FOR MANUFACTURING INFORMATION SEE USAF DRAWING 41B7634.

CUSTODIAN Navy - BuAer Air Force	MILITARY STANDARD		MS22008
	PROCUREMENT SPECIFICATION KYL-B-7295	RELEASE - PARACHUTE CANOPY QUICK RECONNECT	
			SHEET 1 OF 1

APPROVED 31 Jun 53 REVISED