

FED. SUP CLASS
4730

USER SYMBOLS:

ARMY - GL, ME, AT

REVIEWER SYMBOLS:

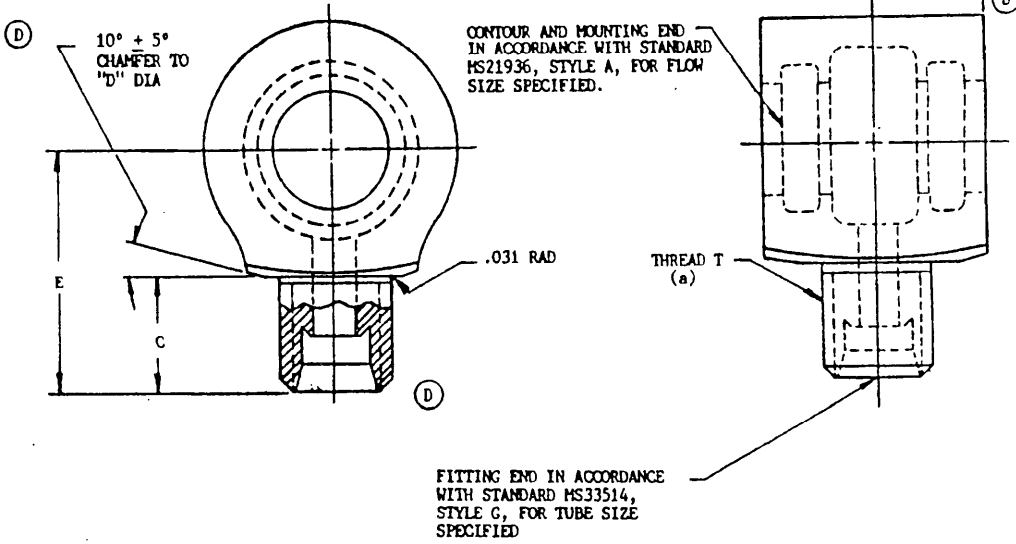
USAF - 82
ARMY - AR, MY
DLA - CS

"Reviewer/User information is current as of the date of this document. For future contributions of changes to this document, draft circulation should be based on the information in the current DODDS."

DISTRIBUTION STATEMENT A: APPROVED FOR PUBLIC RELEASE. DISTRIBUTION IS UNLIMITED.

This military standard is intended for use by all Departments & Agencies of the Department of Defense. Solicitation for all new amendments and design applications and for repetitive work shall be made from this document.

AMSC N/A



LOW FLOW SIZE DASH NUMBER	TUBE OD	THREAD T MIL-S-8879	B	C	D	E	WT LB MAX
-3L	3/16	.3750-24 UNJF-3A	.500	.484	.710	1.047	.026
-4L	1/4	.4375-20 UNJF-3A		.531		1.094	.029
-5L	5/16	.5000-20 UNJF-3A		.562		1.125	.032
-6L	3/8	.5625-18 UNJF-3A					

HIGH FLOW SIZE DASH NUMBER	TUBE OD	THREAD T MIL-S-8879	B	C	D	E	WT LB MAX
-4H	1/4	.4375-20 UNJF-3A	.594	.531	.710	1.343	.066
-5H	5/16	.5000-20 UNJF-3A		.562		1.375	.069
-6H	3/8	.5625-18 UNJF-3A		.656		1.469	----
-8H	1/2	.7500-16 UNJF-3A					

(D) DENOTES CHANGES

P.A. Navy - AS Other Cost	INTERNATIONAL INTEREST	TITLE BODY, CLUSTER FITTING, ONE WAY, FLARELESS	MILITARY STANDARD
	USAF - 99 Army - JV		SEE NOTE 7
PROCUREMENT SPECIFICATION MIL-F-18280		SUPERSEDES: MS21942 (ASG)	SHEET 1 OF 2

DD FORM 672-1 (Coordinated)

PREVIOUS EDITIONS OF THIS FORM ARE OBSOLETE.

PROJECT NO. 4730-0986

APPROVED 15 Feb 56 REVISED: A 20 Nov 57 B 5 Dec 58 / C 27 June 69 (D) 24 JUL 87

FED. SUP CLASS
4730

USER SYMBOLS:
ARMY - SL, ME, AT

REVIEWER SYMBOLS:
USAF - 8Z
ARMY - AR, MI
DLA - CS

"Review" / user information is current as of the date of this document.
For future contribution of changes to this document, draft circulation should be based on the information in the current DODDIS."

DISTRIBUTION STATEMENT A: APPROVED FOR PUBLIC RELEASE. DISTRIBUTION IS UNLIMITED.
This military standard is approved for use by all Departments & Agencies of the Department of Defense. Selection for all new engineering and design applications and for replacement use shall be made from this document.

AMSC N/A

REQUIREMENTS:

- (D) 1. MATERIAL: ALUMINUM ALLOY - 90-A-200/3, TEMPER T4, ARTIFICIALLY AGED.
ALUMINUM ALLOY - BAR OR FORGING, SEE PROCUREMENT SPECIFICATION.
- (D) 2. FINISH: SEE PROCUREMENT SPECIFICATION.
SURFACE FINISH IN ACCORDANCE WITH ANSI B46.1.
ALL MACHINED SURFACES FINISHED TO 250 RIR MAX EXCEPT AS NOTED.

NOTES:

- 1. FITTINGS SHALL BE FREE FROM ALL HANGING BURRS AND SLIVERS.
- 2. DIMENSIONS IN INCHES. UNLESS OTHERWISE SPECIFIED, TOLERANCES: DECIMALS $\pm .010$, ANGLES $\pm 1/2^\circ$.
- 3. PART NUMBERS:
NO CODE LETTER IN PART NUMBER FOR ALUMINUM ALLOY (2024), (2014).
ADD W IN PLACE OF DASH FOR ALUMINUM ALLOY (7075).
EXAMPLES OF PART NUMBERS:
MS21942-8H - BODY, 1/2 TUBING, HIGH FLOW, ALUMINUM ALLOY (2024) OR (2014).
MS21942W8H - BODY, 1/2 TUBING, HIGH FLOW, ALUMINUM ALLOY (7075).
- 4. INSTALLATION IN ACCORDANCE WITH MS21931.
- 5. CERTAIN PROVISIONS (SCREW THREADS) OF THIS STANDARDS ARE THE SUBJECT OF INTERNATIONAL STANDARDIZATION AGREEMENT ASCC AIR STD 17/15. WHEN REVISION OR CANCELLATION OF THIS STANDARD IS PROPOSED WHICH WILL AFFECT OR VIOLATE THE INTERNATIONAL AGREEMENT CONCERNED, THE PREPARING ACTIVITY WILL TAKE APPROPRIATE RECONCILIATION ACTION THROUGH INTERNATIONAL STANDARDIZATION CHANNELS, INCLUDING DEPARTMENTAL STANDARDIZATION OFFICES, IF REQUIRED.
- (D) 6. IN THE EVENT OF A CONFLICT BETWEEN THE TEXT OF THIS STANDARD AND THE REFERENCES CITED HEREIN, THE TEXT OF THIS STANDARD SHALL TAKE PRECEDENCE.
- (D) 7. REFERENCED GOVERNMENT (OR NON-GOVERNMENT) DOCUMENTS OF THE ISSUE LISTED IN THAT ISSUE OF THE DEPARTMENT OF DEFENSE INDEX OF SPECIFICATIONS AND STANDARDS (DoDISS) SPECIFIED IN THE SOLICITATION FORM A PART OF THIS STANDARD TO THE EXTENT SPECIFIED HEREIN.
- (D) 8. INACTIVE FOR NEW DESIGN AFTER 31 DECEMBER 1987.

APPROVED 15 FEB 56 REVISED (D) FOR CHANGES SEE SHEETS 1 AND 2

P.A. NAVY - AS Other Cust USAF - 99 ARMY - AV	INTERNATIONAL INTEREST	TITLE	MILITARY STANDARD
	SEE NOTE 7	BODY, CLUSTER FITTING, ONE WAY, FLARELESS	MS21942
PROCUREMENT SPECIFICATION MIL-F-18280	SUPERSEDES:	MS21942(ASG) (D)	SHEET 2 OF 2

FORM

REPLACES EDITIONS OF THIS FORM AND ORIGIN