

USER SYMBOLS:
DSA - NGS

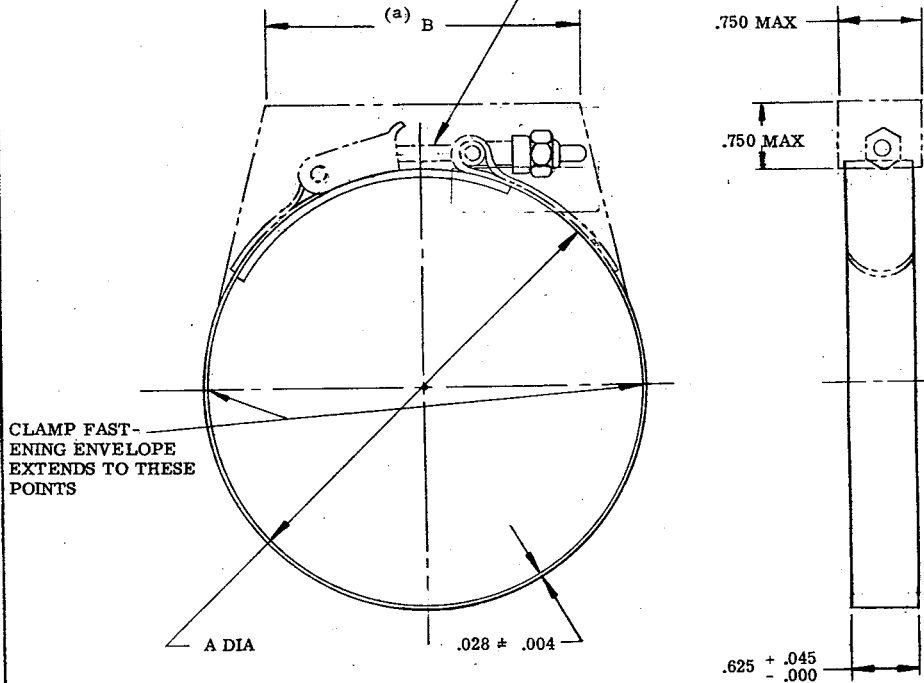
REVIEWER SYMBOLS:
ARMY - ME

"Review/user information is current as of the date of this document. For future coordination of changes to this document, draft circulation should be based on the information in the current OODISS."

This military standard is approved for use by all Departments & Agencies of the Department of Defense. Selection for all new engineering and design applications and for repetitive use shall be made from this document.

THIS ILLUSTRATION IS FOR IDENTIFICATION PURPOSES ONLY AND IS NOT INTENDED TO RESTRICT DESIGNS AND SHAPES OF FASTENING DEVICES. WHICH WILL OTHERWISE CONFORM TO SPECIFICATION REQUIREMENTS AND ARE WITHIN THE ENVELOPE DIMENSIONS.

FED. SUP CLASS
4730



(a) B DIMENSION APPLIES WHEN THE CLAMP IS IN THE TIGHTENED CONDITION AT THE MAXIMUM AND MINIMUM POSITIONS OF ITS DIAMETRAL RANGE.

NOTES:

1. MATERIAL: BAND, STEEL, CORROSION-RESISTANT 1/2 HARD IN ACCORDANCE WITH MIL-S-5059, BOLT AND NUT: STEEL ALLOY IN ACCORDANCE WITH MIL-B-6812.
2. FINISH: CORROSION-RESISTANT STEEL PARTS, PASSIVATE. STEEL ALLOY PARTS, CADMIUM PLATE, QQ-P-416, TYPE II, CLASS 3.
3. REMOVE ALL BURRS AND SHARP EDGES.
4. DIMENSIONS IN INCHES.
5. WHEN T-BOLTS ARE USED, THE HEAD/SHANK FILLET RADIUS SHALL BE .030 INCH MINIMUM.

FOR INACTIVE PART NO'S SEE SHEET 3.

FOR DESIGN FEATURE PURPOSES, THIS STANDARD TAKES PRECEDENCE OVER PROCUREMENT DOCUMENTS REFERENCED HEREIN. REFERENCED DOCUMENTS SHALL BE OF THE ISSUE IN EFFECT ON DATE OF INVITATIONS FOR BID.

REVISED

APPROVED 31 AUG 54 REVISED (A) 27 OCT 59 (B) 11 APR 72 (C) 8 DEC 75

P.A. NAVY - AS Other Cust ARMY - ME USAF - 82	TITLE CLAMP, HOSE (FLAT BAND, 500° F)	MILITARY STANDARD MS21920
PROCUREMENT SPECIFICATION MIL-C-8783	SUPERSEDES:	SHEET 1 OF 3

USER SYMBOLS:
DSA - CS

REVIEWER SYMBOLS:
ARMY - ME

"Review/user information is current as of the date of this document.
For future coordination of changes to this document, draft circulation
should be based on the information in the current 00155."

This military standard is approved for use by all Departments
& Agencies of the Department of Defense. Selection for all new
engineering and design applications and for repetitive use shall
be made from this document.

						FED. SUP CLASS		
						4730		
MS PART NO.	MS PART NO.	A INSIDE DIAMETRAL RANGE		B MAX (a)		ADJM'T RANGE REF	WT LBS MAX QUICK RELEASE	WT LBS MAX CVNTL
		EXT'D MIN	CPRS'D MAX	CVNTL TYPE	QUICK RELEASE TYPE			
MS21920-20	MS21920-20R	2.50	2.25	3.0	3.4	.25	.139	.095
↑ -22	↑ -22R	2.75	2.50				.143	.099
-24	-24R	3.00	2.75				.146	.102
-26	-26R	3.25	3.00				.150	.106
-28	-28R	3.50	3.25				.153	.109
-30	-30R	3.75	3.50				.157	.113
-33	-33R	4.12	3.75				.164	.120
-35	-35R	4.38	4.00				.167	.123
-37	-37R	4.62	4.25				.171	.127
-39	-39R	4.88	4.50				.174	.130
-41	-41R	5.12	4.75			.178	.134	
-43	-43R	5.38	5.00			.181	.137	
-45	-45R	5.62	5.25			.185	.141	
-47	-47R	5.88	5.50			.188	.144	
-49	-49R	6.12	5.75			.192	.148	
-51	-51R	6.38	6.00			.195	.151	
-53	-53R	6.62	6.25			.199	.155	
-55	-55R	6.88	6.50			.202	.158	
-57	-57R	7.12	6.75			.205	.161	
-59	-59R	7.38	7.00			.209	.165	
-61	-61R	7.62	7.25	.212	.168			
-66	-66R	8.25	7.62	.227	.188			
-70	-70R	8.75	8.12	3.8	4.2	.62	.234	.190
-74	-74R	9.25	8.62				.241	.197
-78	-78R	9.75	9.12				.248	.204
↓ MS21920-80	↓ MS21920-80R	10.00	9.38				.251	.207

APPROVED 31 AUG 54 REVISED (C) FOR CHANGES SEE SHTS 1, 2 & 3

P.A. NAVY - AS Other Cust	TITLE	MILITARY STANDARD
ARMY - ME USAF - 82	CLAMP, HOSE (FLAT BAND, 500°F)	MS21920
PROCUREMENT SPECIFICATION MIL-C-8783	SUPERSEDES:	SHEET 2 OF 3

FED. SUP CLASS
4730

USER SYMBOLS:
DSA - CS
REVIEWER SYMBOLS:
ARMY - ME

"Review/user information is current as of the date of this document.
For future coordination of changes to this document, draft circulation
should be based on the information in the current ODIS.".

This military standard is approved for use by all Departments,
B Agencies of the Department of Defense. Selection for all new
engineering and design applications and for repetitive use shall
be made from this document.

INACTIVE FOR DESIGN							
CONVENTIONAL LATCH	QUICK-RELEASE LATCH	A INSIDE DIAMETRAL RANGE		B MAX (a)		ADJUSTMENT RANGE REF	WEIGHT POUNDS MAX
		EXTENDED MIN	COMPRESSED MAX	CONVENTIONAL TYPE	QUICK-RELEASE TYPE		
MS21920-21	MS21920-21R	2.62	2.38	3.0	3.4	.25	.143
▲ -23	▲ -23R	2.88	2.62				.146
-25	-25R	3.12	2.88				.150
-27	-27R	3.38	3.12				.153
-29	-29R	3.62	3.38				.157
-32	-32R	4.00	3.62				.164
-34	-34R	4.25	3.88				.167
-36	-36R	4.50	4.12			.171	
-38	-38R	4.75	4.38			.174	
-40	-40R	5.00	4.62			.178	
-42	-42R	5.25	4.88			.181	
-44	-44R	5.50	5.12			.185	
-46	-46R	5.75	5.38			.188	
-48	-48R	6.00	5.62			.192	
-50	-50R	6.25	5.88	.195			
-52	-52R	6.50	6.12	.199			
-54	-54R	6.75	6.38	.202			
-56	-56R	7.00	6.62	.205			
-58	-58R	7.25	6.88	.209			
-60	-60R	7.50	7.12	.212			
-64	-64R	8.00	7.38	.227			
-68	-68R	8.50	7.88	.234			
▼ -72	▼ -72R	9.00	8.38	3.8	4.2	.62	.241
MS21920-76	MS21920-76R	9.50	8.88				.248

APPROVED 31 AUG 54 REVISED (C) FOR CHANGES SEE SHTS 1, 2 & 3

P.A. NAVY - AS Other Cust	TITLE	MILITARY STANDARD
ARMY - ME USAF - 82	CLAMP, HOSE (FLAT BAND, 500°F)	MS21920
PROCUREMENT SPECIFICATION MIL-C-8783	SUPERSEDES:	SHEET 3 OF 3