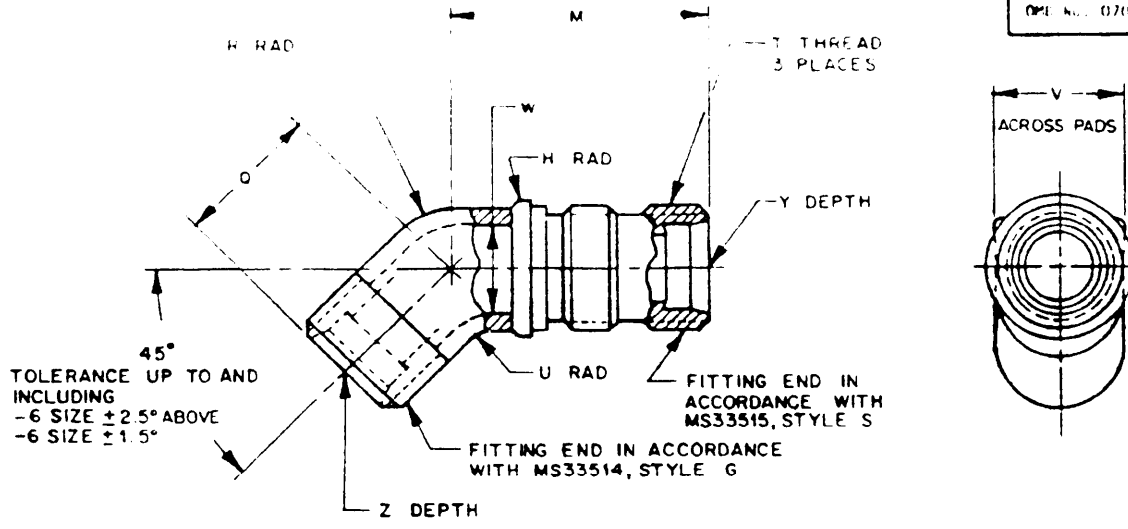


REQUIREMENTS FOR ACQUIRING THE PRODUCT(S) DESCRIBED HEREIN SHALL CONSIST OF THIS SPECIFICATION SHEET AND THE ISSUE OF THE FOLLOWING SPECIFICATION LISTED IN THAT ISSUE OF THE DOORS SPECIFIED IN THE SOUCITATION: MIL-F-18280

Form approved  
OPL No. 0704-0198



DASH NO.	TUBE OD	T THREAD MIL-S-8879	H RAD	M +.047 -0	O +.047 -0	R RAD	U RAD	Y	W APPROX	Y +.047 -0	Z +.047 -0	WT LB MAX		
												STEEL	AL ALLOY	Ti ALLOY
-2	1/8	.3125-24 UNJF-3A	.062	1.281	.625	.156	.062	.312	.219	1.281	.641	.035	.015	.020
-3	3/16	.3750-24 UNJF-3A		1.328	.656	.187		.375	.219	1.359	.687	.051	.018	.029
-4	1/4	.4375-20 UNJF-3A		1.453	.687	.219		.437	.312	1.484	.719	.059	.024	.034
-5	5/16	.5000-20 UNJF-3A	.094	1.562	.719	.250	.094	.500	.312	1.500	.797	.098	.035	.056
-6	3/8	.5625-18 UNJF-3A		1.562	.812	.281		.562	.375	1.625	.875	.104	.039	.060
-8	1/2	.7500-16 UNJF-3A		1.812	.969	.375		.750	.500	1.859	1.078	.212	.072	.122
-10	5/8	.8750-14 UNJF-3A	.125	2.047	1.062	.437	.125	.875	.625	2.125	1.156	.305	.109	.175
-12	3/4	1.0625-12 UNJ -3A		2.250	1.250	.531		1.062	.750	2.375	1.375	.493	.171	.284
-16	1	1.3125-12 UNJ -3A		2.375	1.344	.656		1.312	1.000	2.547	1.516	.670	.255	.386
-20	1-1/4	1.6250-12 UNJ -3A	.125	2.406	1.437	.812	.125	1.625	1.250	2.641	1.656	1.100	.410	.634
-24	1-1/2	1.8750-12 UNJ -3A		2.422	1.531	.937		1.875	1.500	2.687	1.797			
-32	2	2.5000-12 UNJ -3A		2.576	1.812	1.250		.250	2.562	2.000	2.703	2.187		

**REQUIREMENTS:**

- MATERIAL:** CARBON STEEL - FORGINGS  
ALUMINUM ALLOY - FORGINGS  
CORROSION RESISTANT STEEL - FORGINGS  
TITANIUM ALLOY - FORGINGS
- FINISH:** SEE PROCUREMENT SPECIFICATION.

SEE PROCUREMENT SPECIFICATION  
NOTE: PARTS MADE FROM 1137 OR 1141 FORGINGS QUALIFIED TO MIL-F-18280C SHALL NOT BE SUPPLIED AFTER 30 JUNE 1984.

**NOTES:**

- BREAK ALL SHARP EDGES AND REMOVE ALL BURRS AND SLIVERS.
- DIMENSIONS ARE IN INCHES. UNLESS OTHERWISE SPECIFIED, TOLERANCES: DECIMALS ±.016.
- PART NUMBERS:**  
NO CODE LETTER IN PART NUMBER FOR CARBON STEEL.  
ADD "D" IN PLACE OF DASH FOR ALUMINUM ALLOY (2014).  
ADD "W" IN PLACE OF DASH FOR ALUMINUM ALLOY (7075).  
ADD "J" IN PLACE OF DASH FOR CORROSION-RESISTANT STEEL, TYPE 304.  
ADD "K" IN PLACE OF DASH FOR CORROSION-RESISTANT STEEL, TYPE 316.  
ADD "R" AFTER DASH FOR CORROSION-RESISTANT STEEL, TYPE 321.  
ADD "T" AFTER DASH FOR TITANIUM ALLOY (6AL-4V).

**EXAMPLES OF PART NUMBERS:**  
MS21907-4 - ELBOW, 1/4 TUBING, CARBON STEEL.  
MS21907D4 - ELBOW, 1/4 TUBING, ALUMINUM ALLOY (2014).  
MS21907W4 - ELBOW, 1/4 TUBING, ALUMINUM ALLOY (7075).  
MS21907J4 - ELBOW, 1/4 TUBING, CORROSION-RESISTANT STEEL, TYPE 304.  
MS21907K4 - ELBOW, 1/4 TUBING, CORROSION-RESISTANT STEEL, TYPE 316.  
MS21907-4R - ELBOW, 1/4 TUBING, CORROSION-RESISTANT STEEL, TYPE 321.  
MS21907-4T - ELBOW, 1/4 TUBING, TITANIUM ALLOY (6AL-4V).

ⓐ DENOTES CHANGES

THIS SPECIFICATION IS APPROVED FOR USE BY ALL DEPARTMENTS AND AGENCIES OF THE DEPARTMENT OF DEFENSE

PREPARING ACTIVITY: NAVY-AS CUSTODIANS: ARMY-AV NAVY- AIR FORCE-99 DLA REVIEW: AF-B2, 71, ARMY-AV, MI, DLA-CS USER: ARMY-GL, CR, ME, AT PROJECT NUMBER: 4730-0143	MILITARY SPECIFICATION SHEET TITLE: ELBOW, BULKHEAD UNIVERSAL, 45°, FLARELESS TUBE	SPECIFICATION SHEET NUMBER MS21907G 20 JUNE 1991 SUPERSEDING MS21907F 31 JULY 1990 AMSC- N/A FSC 4730
DISTRIBUTION STATEMENT A Approved for public release distribution is unlimited		Page 1 of 2

GPO: 1984 O-300-000

Form approved  
OMB No. 0704-0188

4. ITEMS CODED "C" ON PREVIOUS ISSUES OF THIS STANDARD ARE NO LONGER TO BE FURNISHED. UNLESS OTHERWISE SPECIFIED, PARTS CODED "J", "K", OR "R" (AT SUPPLIER'S OPTION) SHALL BE FURNISHED IN LIEU OF "C" CODED PARTS.
5. TITANIUM NOT RECOMMENDED FOR USE IN OXYGEN SYSTEMS.
6. PARTS ARE NOT TO BE MANUFACTURED FROM TYPE 347 CRES AFTER 31 MAY 1992. HOWEVER, TYPE CODE "S" PARTS MAY BE USED UNTIL EXISTING STOCKS ARE DEPLETED.

IN THE EVENT OF A CONFLICT BETWEEN THE TEXT OF THIS STANDARD AND THE REFERENCES CITED HEREIN, THE TEXT OF THIS STANDARD SHALL TAKE PRECEDENCE.

REFERENCED GOVERNMENT (OR NON-GOVERNMENT) DOCUMENTS OF THE ISSUE LISTED IN THAT ISSUE OF THE DEPARTMENT OF DEFENSE INDEX OF SPECIFICATIONS AND STANDARDS (DoDISS) SPECIFIED IN THE SOLICITATION FORM A PART OF THIS STANDARD TO THE EXTENT SPECIFIED HEREIN.

THE REQUIREMENTS FOR ACQUIRING THE PRODUCT(S) DESCRIBED HEREIN SHALL CONSIST OF THIS SPECIFICATION SHEET AND THE ISSUE OF THE FOLLOWING SPECIFICATION LISTED IN THAT ISSUE OF THE DoDISS SPECIFIED IN THE SOLICITATION. MIL - F - 18280

THIS SPECIFICATION IS APPROVED FOR USE BY ALL DEPARTMENTS AND AGENCIES OF THE DEPARTMENT OF DEFENSE.

PREPARING ACTIVITY NAVY - AS  
 CUSTODIANS ARMY - AV NAVY -  
 AIR FORCE - 99 DLA  
 REVIEW AF - 82, 71, ARMY - AV, MI, DLA - CS  
 USER ARMY - GL, CR, ME, AT  
 PROJECT NUMBER 4730 - 0143

MILITARY SPECIFICATION SHEET  
 TITLE  
 ELBOW, BULKHEAD UNIVERSAL,  
 45° FLARELESS TUBE

SPECIFICATION SHEET NUMBER  
 MS21907G 20 JUNE 1991  
 SUPERSEDING  
 MS21907F 31 JULY 1990  
 AMSQC N/A FSC 4730

DISTRIBUTION STATEMENT A Approved for public release; distribution is unlimited.

Page 2 of 2

SEARCH STATE RESPONSIBILITY