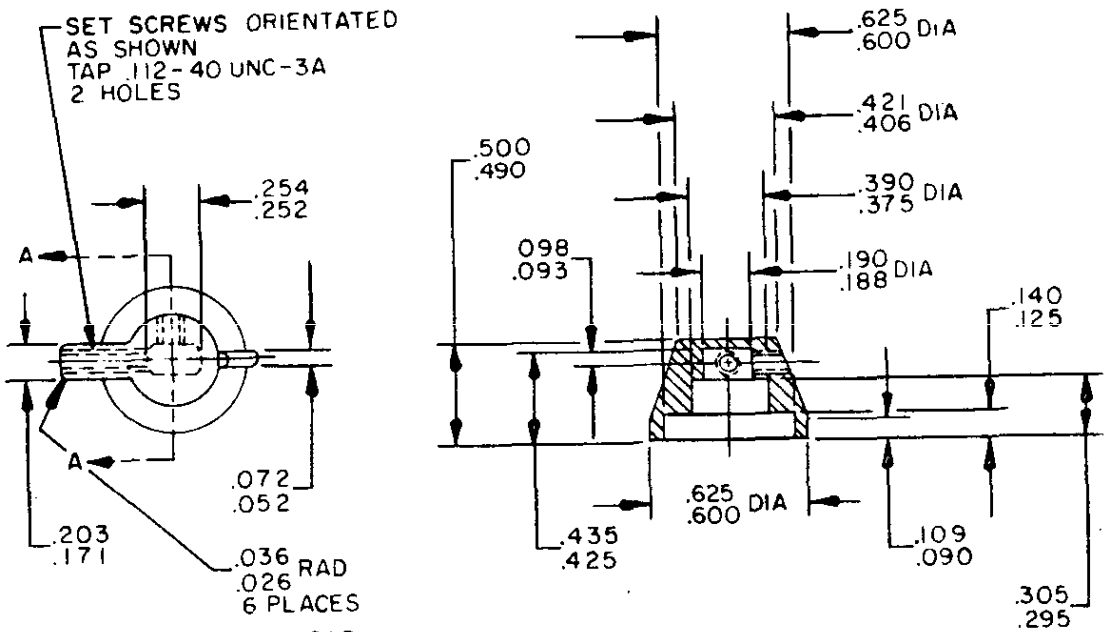
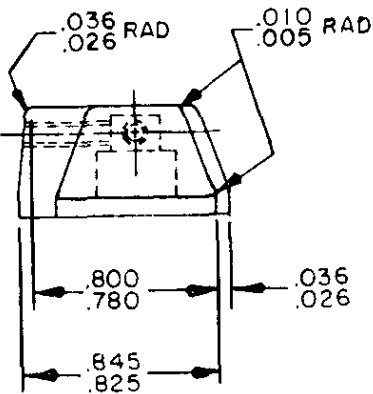


FED. SUP CLASS  
5355

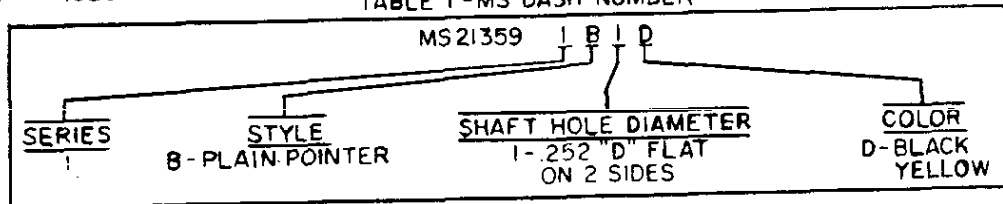


SECTION A-A



Ⓐ CANCELED

TABLE I - MS DASH NUMBER



NOTES:

1. Material: Aluminum alloy, QQ-A-250, (24 S), temper O (annealed per QQ-A-561).
2. Color: Black lusterless # 37038 per Federal Standard 595  
Yellow lusterless #33538 per Federal Standard 595.
3. Remove sharp edges.
4. Yellow paint applied to ridge.
5. For design purposes, this standard takes precedence over procurement documents referenced herein.
6. Referenced documents shall be of the issue in effect on date of invitation for bids.

This standard has been approved by Department of the AF and is mandatory for use by that activity. All other military activities are required to employ this standard where suitable.

P.A. AF-11 Other Cust	International Interest	TITLE KNOBS-CONTROL, ALUMINUM ALLOY (ROUND, CONCENTRIC, POINTER, SPINNER, BAR, LOCKING SHAFT HOLE, FIN, AND KNOB LOCKS)	MILITARY STANDARD MS21361 (USAF)
Procurement Specification MIL-K-25049 B(ASG)		SUPERSEDES:	PAGE 1 OF 1

DD FORM 672 (LIMITED COORDINATION)  
1 SEP 63

5355-F008

APPROVED 28 July 1972 REVISED 20 July 1979