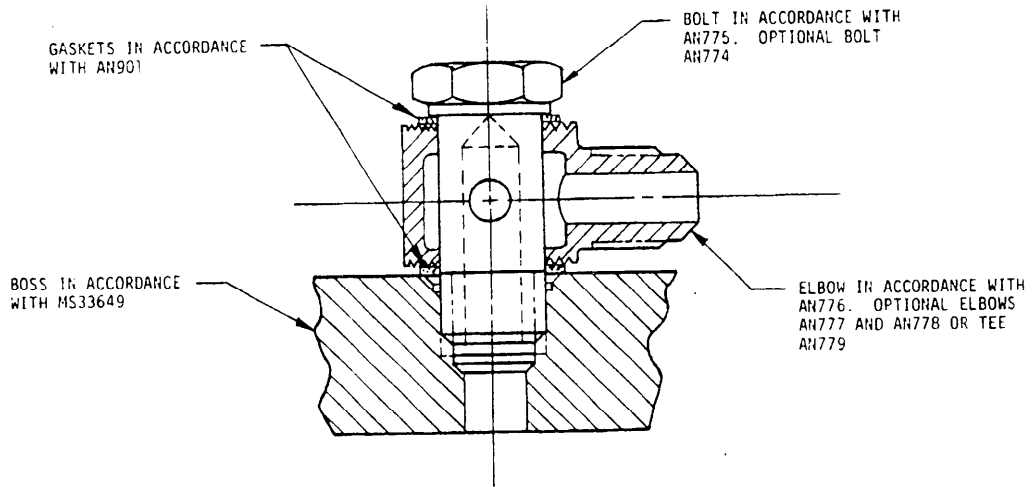


FED. SUP CLASS
4730



USE AN774 -4, -5 AND -6 OR AN775-4 STEEL BOLT WITH EITHER AL ALLOY OR STEEL ELBOW OR TEE.
ALL OTHER SIZES USE AL ALLOY BOLT WITH AL ALLOY ELBOW OR TEE AND STEEL BOLT WITH STEEL ELBOW OR TEE.

REVIEW ACTIVITIES: ARMY - AR A
USER ACTIVITIES: ARMY - CR, MI

This military standard is approved by the Department of Defense and is mandatory on all activities. Selection for all new engineering and design applications and for repetitive use shall be made from this document.

THIS IS A DESIGN STANDARD AND SHALL NOT BE USED AS A PART NUMBER

P.A. AIR FORCE - 82 Other Cust ARMY - AV A NAVY - AS Air Force - 44 PROCUREMENT SPECIFICATION	TITLE FITTINGS - - INSTALLATION OF UNIVERSAL ELBOW SUPERSEDES: AND10080	MILITARY STANDARD
		MS21345 SHEET 1 OF 1

