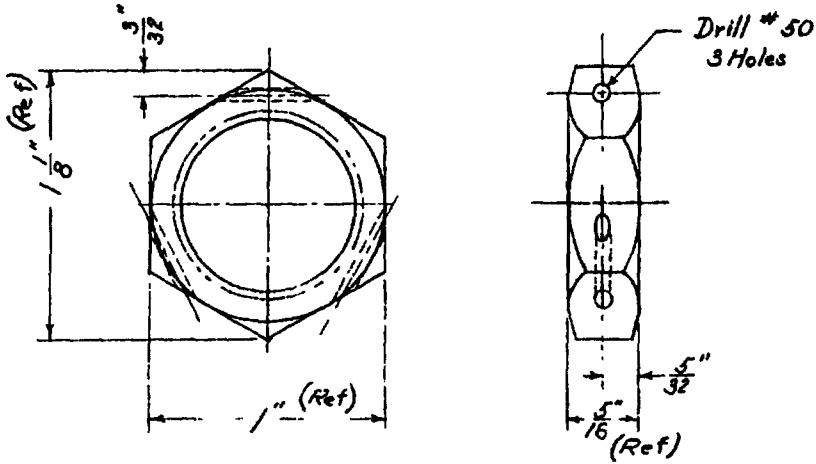


FED. SUP CLASS

NOTICE—When Government drawings, specifications, or other data are used for any purpose other than in connection with a definitely related Government procurement operation, the United States Government thereby incurs no responsibility, nor any obligation whatsoever; and the fact that the Government may have formulated, furnished, or in any way supplied the said drawings, specifications, or other data is not to be regarded by implication or otherwise as in any manner licensing the holder or any other person or corporation, or conveying any rights or permission to manufacture, use, or sell any patented invention that may in any way be related thereto.



Note: Make From AN924-8 Nut

This standard has been approved by the BOARD OF NAVAL WEAPONS Department of the NAVY and is mandatory for use by that activity. All other military activities are required to employ this standard where suitable.

APPROVED MARCH 7, 1960 REVISED

P.A. NAVY - BUWEPS Other Cust	TITLE	MILITARY STANDARD
	NUT DRILLED JAM	MS 21264 (WEP)
Procurement Specification	SUPSEDES:	SHEET # / OF /