

INCH-POUND

MS21254V
w/AMENDMENT 1
17 February 2009
SUPERSEDING
MS21254V
12 October 2007

DETAIL SPECIFICATION SHEET

EYE END, TURNBUCKLE, CLIP LOCKING

This specification is approved for use by all Departments and Agencies of the Department of Defense.

The requirements for acquiring the product described herein shall consist of this specification sheet, MIL-DTL-8878, and QPL-8878.

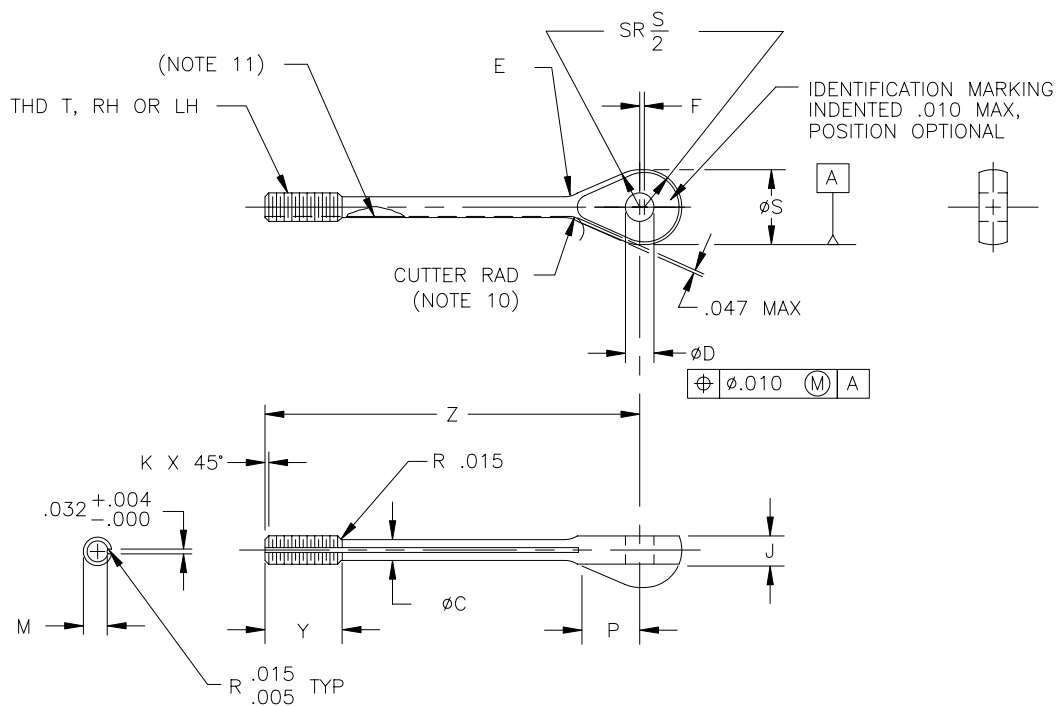


FIGURE 1. Eye end, turnbuckle, clip locking.

MS21254V
w/AMENDMENT 1

TABLE I. Dash numbers and dimensions.

Dash number		Wire rope diameter		Minimum breaking strength lbs.	Thread T UNF-3A	ØC +0.006 -0.000	ØD +0.002 -0.000	E ±0.031 radius	F +0.010 -0.000	J ±0.005
Direction of thread		Nominal reference	Minimum							
RH	LH									
-2RS	-2LS	1/16	0.062	800	0.1380 (#6)-40	0.094	0.190	0.125	0.031	0.125
-2RL	-2LL									
-3RS	-3LS	3/32	0.093	1,600	0.190 (#10)-32	0.133	0.156	0.219	0.047	0.188
-3RL	-3LL									
-5RS	-5LS	5/32	0.156	3,200	0.250 (1/4)-28	0.189	0.250	0.219	0.047	0.219
-5RL	-5LL	1/								
-6RS	-6LS	3/16	0.187	4,600	0.3125 (5/16)-24	0.243	0.313	0.250	0.063	0.281
-6RL	-6LL									
-8RL	-8LL	1/4	0.250	8,000	0.3750 (3/8)-24	0.306	0.375	0.281	0.063	0.328
-9RL	-9LL	9/32	0.281	12,500	0.4375 (7/16)-20	0.362	0.438	0.359	0.078	0.375
-10RL	-10LL	5/16	0.312	17,500	0.5000 (1/2)-20	0.425	0.500	0.406		0.469

1/ See note 6.

TABLE I. Dash numbers and dimensions - Continued.

Dash number		Wire rope diameter		K +0.000 -0.015	M		P ±0.031	ØS +0.025 -0.010	Y ±0.047 2/	Z +0.031 -0.015
Direction of thread		Nominal reference	Minimum		Maximum	Minimum				
RH	LH									
-2RS	-2LS	1/16	0.062	0.031	0.1139	0.1094	0.325	0.375	0.375	1.500
-2RL	-2LL									2.375
-3RS	-3LS	3/32	0.093	0.031	0.1638	0.1568	0.416	0.500	0.500	1.625
-3RL	-3LL									2.500
-5RS	-5LS	5/32	0.156	0.031	0.2224	0.2152	0.512	0.625	0.625	1.750
-5RL	-5LL									2.625
-6RS	-6LS	3/16	0.187	0.047	0.2830	0.2754	0.527	0.688	0.750	1.875
-6RL	-6LL									2.750
-8RL	-8LL	1/4	0.250	0.047	0.3454	0.3378	0.678	0.875	0.875	2.875
-9RL	-9LL	9/32	0.281	0.047	0.4052	0.3972	0.831	1.063	1.000	3.375
-10RL	-10LL	5/16	0.312	0.063	0.4678	0.4597	0.900	1.188	1.000	3.625

2/ Includes last full thread engagement.

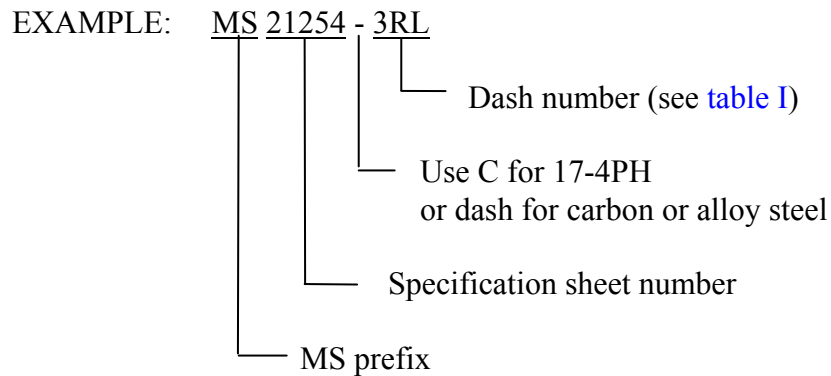
REQUIREMENTS:

1. Material: Material shall be in accordance with MIL-DTL-8878.
2. Protective treatment: Protective treatment shall be in accordance with MIL-DTL-8878.
3. Heat treatment: Heat treatment shall be in accordance with MIL-DTL-8878.
4. Finish: Finish shall be in accordance with MIL-DTL-8878.
5. Threads: Threads shall be in accordance with FED-STD-H28/20.
6. Tolerances: Unless otherwise specified, tolerances: decimals ± 0.010 , angles $\pm 0.5^\circ$.
7. Outside diameter (O.D.): O.D. of the "F" dimension may be a flat area.

MS21254V
w/AMENDMENT 1

NOTES:

1. Part or identifying number (PIN): The part or identifying number (PIN) consists of the letters MS, the specification sheet number, and a dash number taken from [table I](#). A "C" in lieu of dash indicates 17-4PH; a dash indicates carbon or alloy steel. The first letter following the dash number or letter C indicates direction of thread (left or right hand) and the second letter indicates length (short or long).



MS21254C3LS Indicates - Eye, turnbuckle, 17-4PH, 0.1900 (#10)-32 left hand thread, short.
MS21254-3RL Indicates - Eye, turnbuckle, steel, 0.1900 (#10)-32 right hand thread, long.

2. Remove burrs and sharp edges. (See MIL-DTL-8878.)
3. Dimensions are in inches.
4. Interpret drawing in accordance with ASME Y14.5M.
5. MS21254 items can replace AN165 items of like thread size and material.
6. For 0.125 (1/8) inch diameter wire rope use -5 parts, minimum breaking strength 2,200 pounds (lbs.) (reference).
7. In the event of a conflict between the text of this document and the references cited herein, the text of this document takes precedence.
8. Unless otherwise specified, issues of referenced documents are those in effect at the time of solicitation.
9. For clip locking of turnbuckles, see MS33736 and MIL-DTL-8878.
10. Cutter radius mark, which is used as a clip slot alignment indicator, must be present on this surface.
11. Cutter radius marks are permitted on this surface and shall not be cause for rejection.

MS21254V
w/AMENDMENT 1

12. The parts covered by dash numbers shown on AN165 are canceled after 10 December 1971. Steel, carbon and alloy MS21254 parts are inactive for new design. Use only 17-4 PH stainless steel parts for new design and replacement for comparable alloy and carbon steel MS21254 parts and AN165 parts. The canceled AN165 parts and alloy and carbon steel MS21254 parts cannot replace comparable 17-4 PH stainless parts and should be used until existing stock is depleted. Substitution shall be in accordance with [table II](#).

TABLE II. Substitution table.

PART NUMBERS		
Canceled part AN165	Inactive part MS21254	17.4 PH Stainless steel part
Dash number	Dash number	Dash number
8LS	2LS	C2LS
8RS	2RS	C2RS
None	2LL	C2LL
None	2RL	C2RL
16LS	3LS	C3LS
16RS	3RS	C3RS
16LL	3LL	C3LL
16RL	3RL	C3RL
22LS	5LS	C5LS
22RS	5RS	C5RS
22LL	5LL	C5LL
22RL	5RL	C5RL
32LS	5LS	C5LS
32RS	5RS	C5RS
32LL	5LL	C5LL
32RL	5RL	C5RL
46LS	6LS	C6LS
46RS	6RS	C6RS
46LL	6LL	C6LL
46RL	6RL	C6RL
61LL	8LL	C8LL
61RL	8RL	C8RL
80LL	8LL	C8LL
80RL	8RL	C8RL
125LL	9LL	C9LL
125RL	9RL	C9RL
175LL	10LL	C10LL
175RL	10RL	C10RL

MS21254V
w/AMENDMENT 1

AMENDMENT ANNOTATIONS: The margins of this specification are marked with vertical lines to indicate where modifications from this amendment were made. This was done as a convenience only and the Government assumes no liability whatsoever for any inaccuracies in these notations. Bidders and contractors are cautioned to evaluate the requirements of this document based on the entire content irrespective of the marginal notations.

Custodians:

Army - AV
Navy - AS
Air Force - 99

Preparing Activity:

DLA - GS5

(Project 1640-2009-002)

Review Activities:

Navy - MC
Air Force - 71

NOTE: The activities listed above were interested in this document as of the date of this document. Since organizations and responsibilities can change, you should verify the currency of the information above using the ASSIST database at <http://assist.daps.dla.mil/>.