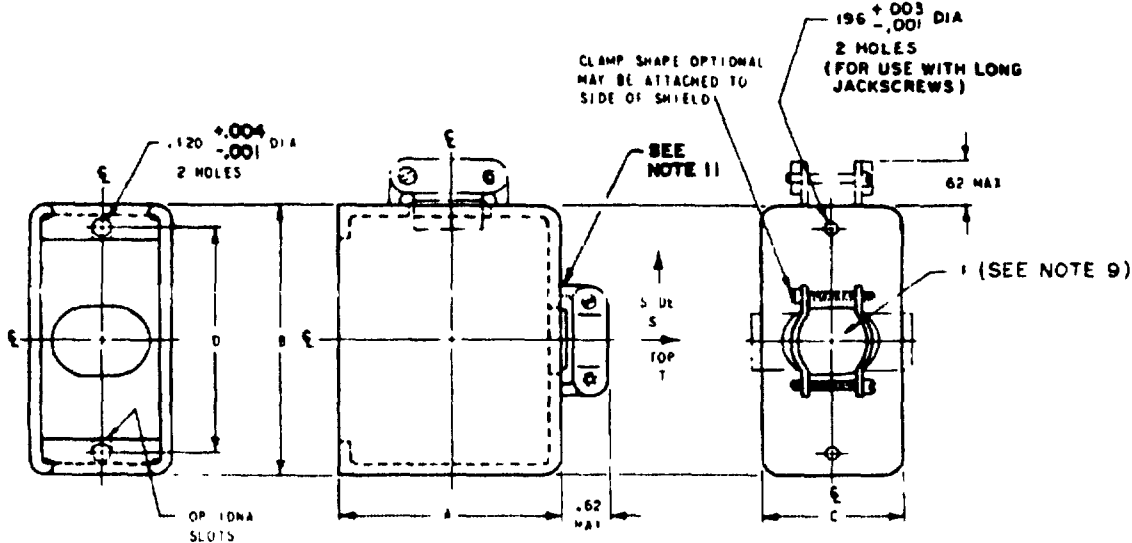


FED SUP CLASS
5935

User activities: Army ME, AM, AR
Navy MC, OS, SH
Air Force

Reviewer activities: Army MI, AT
Navy AS
Air Force 11,99

DLA-ES



INCHES	MM	INCHES	MM	INCHES	MM
.001	.03	.135	3.43	.938	23.83
.003	.08	.18	4.6	1.000	25.40
.005	.13	.19	4.8	1.18	30.0
.010	.25	.196	4.98	1.220	30.99
.016	.41	.22	5.6	1.250	31.75
.10	2.5	.437	11.10	1.312	33.32
.118	3.00	.500	12.70	1.35	34.3
.120	3.05	.62	15.7	1.562	39.67
.122	3.10	.640	16.26	1.625	41.28
.125	3.18	.906	23.01		

MS PART NO.	CONNECTOR SIZE (NO OF CONTACTS)	A MIN MAX	B ±0.016	C ±0.016	D ±0.010	F MIN CABLE OPENING SQ INCH
MS18192-T1 MS18192-S1	14	1.18 1.35	1.250	0.500	0.938	0.19
MS18192-T2 MS18192-S2	20	1.18 1.35	1.562	0.500	1.250	0.22
MS18192-T7 MS18192-S7	7	1.18 1.35	1.220	0.437	0.906	0.18
MS18192-T8 MS18192-S8	9	1.18 1.35	1.312	0.437	1.000	0.10
MS18192-T9 MS18192-S9	26	1.18 1.35	1.625	0.640	1.312	0.22

DESIGN STANDARD FOR USE WITH MIL-C-28748 CONNECTORS.

(F) denotes changes

This military standard is approved for use by all Departments and Agencies of the Department of Defense. Selection for all new engineering and design applications and for repetitive use shall be made from this document.

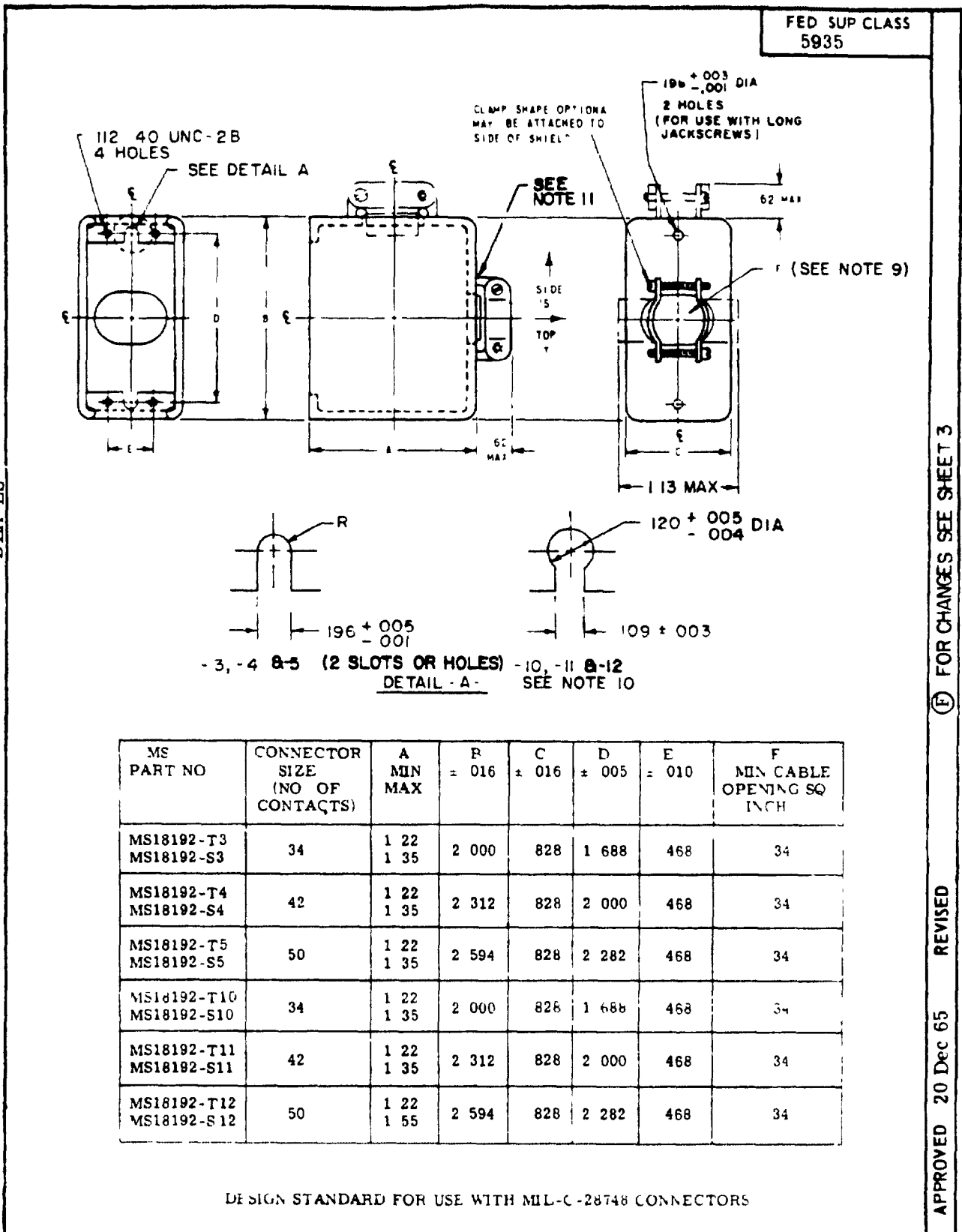
P A Navy-EC Other Cust AF-85 ARMY - LR	International Interest	TITLE SHIELD, ELECTRICAL CONNECTOR FOR 7, 9, 14, 20, 26, 34, 42, 50 AND 75 CONTACT CONNECTORS	MILITARY STANDARD MS 18192
Procurement Specification MIL-C-28748		SUPERSEDES	SHEET 1 OF 4

APPROVED 20 DEC 65 REVISED (C) 11 APR 1974 (D) 1 JUN '6 (E) 1 JAN 1979 (F) 1 JUNE 1983

Army ME, AM, AR
Navy MC, OS, SH
Air Force

Army MI, AT
Navy AS
Air Force 11, 99
DLA-ES

This military standard is approved for use by all Departments and Agencies of the Department of Defense. Selection for all new engineering and design applications and for repetitive use shall be made from this document.



FOR CHANGES SEE SHEET 3

REVISED

APPROVED 20 Dec 65

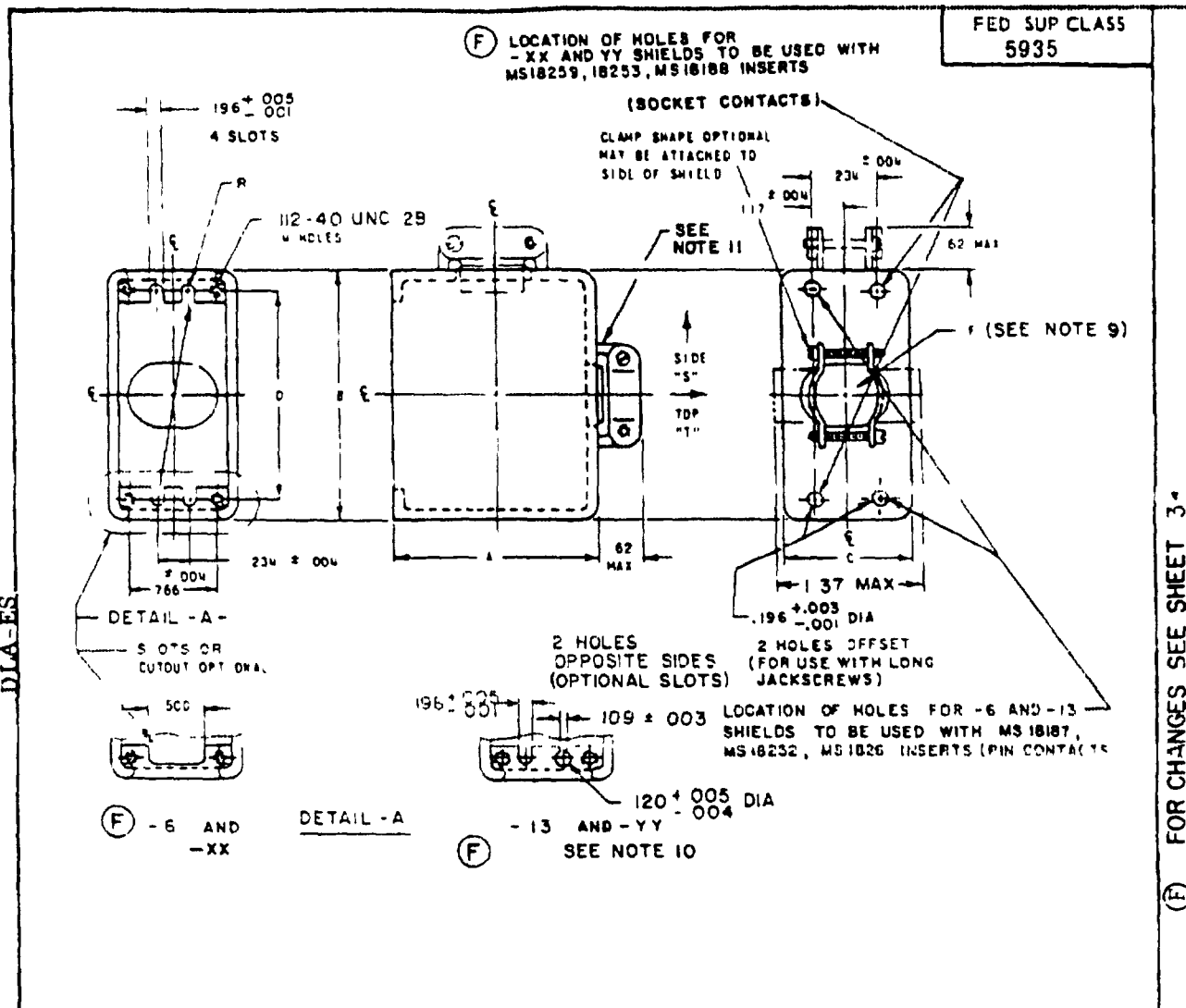
P A Navy-EC Other Cust AF-85 ARMY - CR	International Interest	TITLESIELD, ELECTRICAL CONNECTOR FOR 7, 9, 14, 20, 26, 34, 42, 50 AND 75 CONTACT CONNECTORS	MILITARY STANDARD
		SUPERSEDES	MS 18192
Procurement Specification MIL-C-28748			SHEET 2 OF 4

User activities: Army ME, AM, AP
Navy MC, OS, SH
Air Force

Army MI, AT
Navy AS
Air Force 11, 99

Review activities
DIA-ES

This military standard is approved for use by all Departments and Agencies of the Department of Defense. Selection for all new engineering and design applications and for repetitive use shall be made from this document.



MS PART NO.	CONNECTOR SIZE (NO. OF CONTACTS)	A MIN MAX	B ± .016	C ± .016	D ± .010	F MIN CABLE OPENING SQ INCH
MS18192-T6 MS18192-S6	75 Pin only (see note 12)	1.22 1.35	2.594	1.188	2.282	0.55
MS18192-T13 MS18192-S13	75 Pin only (see note 12)	1.22 1.35	2.594	1.188	2.282	0.55
MS18192-TXX MS18192-SXX	75 Socket only (see note 12)	1.22 1.35	2.594	1.188	2.282	0.55
MS18192-TYY MS18192-SYY	75 Socket only (see note 12)	1.22 1.35	2.594	1.188	2.282	0.55

PA Navy-EC Other Cust AF-85 ARMY - CR	International Interest	TITLE SHIELD, ELECTRICAL CONNECTOR FOR 7, 9, 14, 20, 26, 34, 42, 50 and 75 CONTACT CONNECTORS	MILITARY STANDARD
Procurement Specification MIL-C-28748	SUPERSEDES		MS 18192
			SHEET 3 OF 4

APPROVED 20 DEC 65 REVISED (F) FOR CHANGES SEE SHEET 3*

FED SUP CLASS
5935

Army MI, AT
Navy AS
Air Force II, 99
DLA - ES

Reviewer activities

User activities: Army ME, AM, AR
Navy MC, OS, SH
Air Force

INCHES	MM	INCHES	MM	INCHES	MM
.001	.03	.196	4.98	1.13	28.7
.003	.08	.234	5.94	1.188	29.18
.004	.10	.26	6.6	1.22	31.0
.005	.13	.34	8.6	1.35	34.3
.010	.25	.46 ^R	11.8 ^R	1.688	42.8 ^R
.016	.41	.500	12.70	2.000	50.80
.109	2.77	.55	14.0	2.282	57.96
.112	2.84	.62	15.7	2.312	58.72
.117	2.97	.766	19.46	2.594	65.89
.120	3.05	.828	21.03		

NOTES

- Dimensions are in inches.
- Unless otherwise specified, tolerance is $\pm .016$ (.41 mm).
- Metric equivalents are given for general information only and are based upon 1.00 inch = 25.4 mm
- For shield with top cable opening suffix part No with 'T' For shield with side cable opening suffix part No with 'S'
- Material. Aluminum alloy, per specification QQ-A-250/8, temper H32, .040 (1.02 mm) thick
- Finish Anodize per specification MIL-A-8625, type I or type II.
- Referenced documents shall be of the issue in effect on date of invitation for bid
- For design feature purposes, this standard takes precedence over procurement documents referenced herein
- Edges of cable entry hole to be rounded to prevent insulation chafing.
- T10, S10, T11, S11, T12, S12, T13, S13, TYY and SY for use with one piece jackscrews.
- Clamp hinge may attach to side of shield.
- Contact type and jackscrew orientation must be separated to guarantee intermateability

FOR CHANGES SEE SHEET 3

APPROVED 20 DEC 1965 REVISED

This military standard is approved for use by all Departments and Agencies of the Department of Defense. Selection for all new engineering and design applications and for repetitive use shall be made from this document.

P A NAVY - EC Other Cust AF 85 ARMY - CR	International Interest	TITLE SHIELD, ELECTRICAL CONNECTOR FOR 7, 9, 14, 20, 26, 34, 42, 50 AND 75 CONTACT CONNECTORS	MILITARY STANDARD MS 18192
Procurement Specification MIL C 28748	SUPERSEDES		SHEET 4 of 4