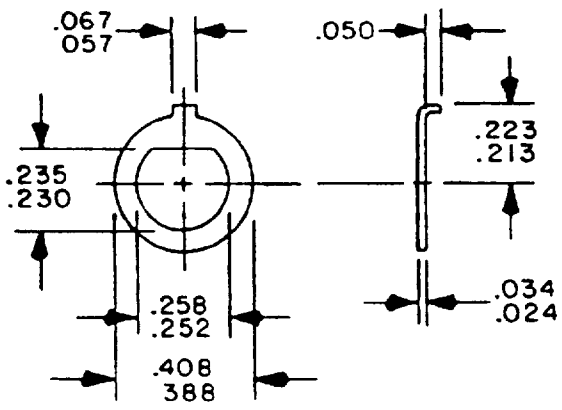
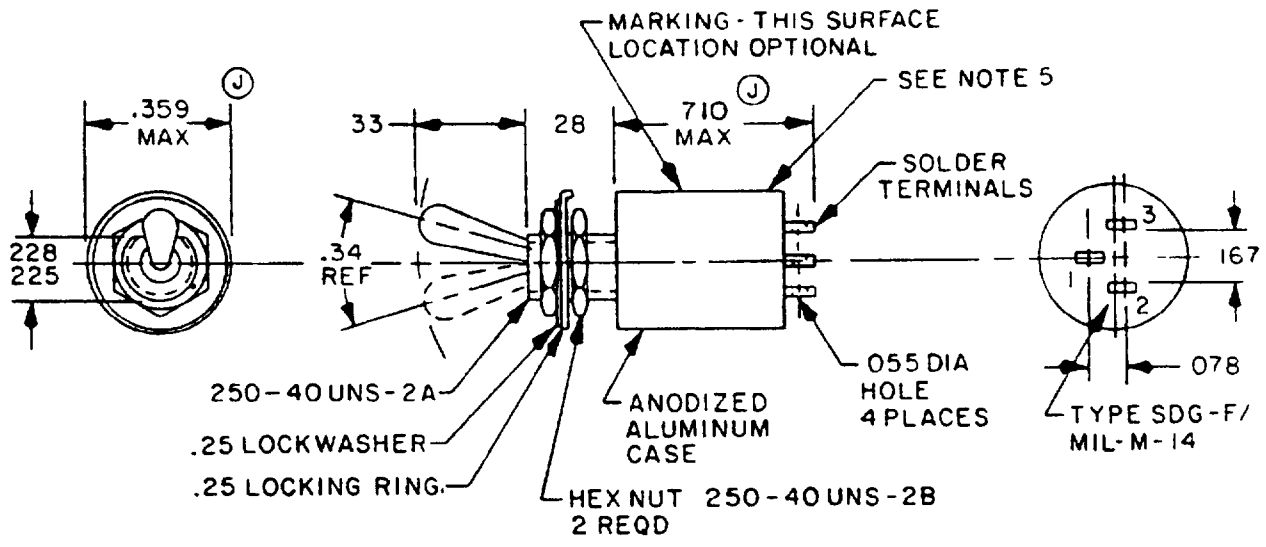
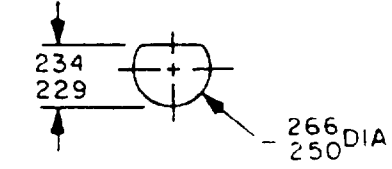
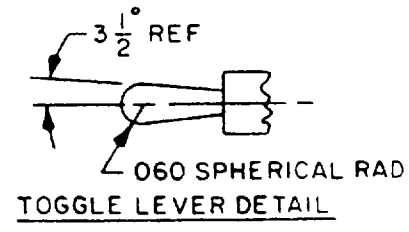


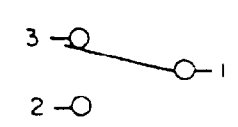
SEE SPECIFICATION SHEET FOR THE PRODUCT. THE PRODUCT IS DESCRIBED IN THE FOLLOWING SPECIFICATION LISTED IN THAT ISSUE OF THE SPECIFICATION SHEET AND THE ISSUE OF THE FOLLOWING SPECIFICATION LISTED IN THAT ISSUE OF THE SPECIFICATION SHEET. MIL-S-83731



WASHER, KEY "D"



RECOMMENDED  
PANEL MTG HOLE



SCHEMATIC DIAGRAM  
(CIRCUIT INDICATED IS WITH TOGGLE LEVER IN KEYING SIDE)

MILITARY PART NUMBER  
MS18151-1

(J) Denotes changes

PREPARING ACTIVITY Air Force - 85 CUSTODIANS ARMY ER NAVY EC AIR FORCE DLA Army-AV Navy - 1 REVIEW Air Force-11 99 DLA-ES USER PROJECT NUMBER 5930-1455	TITLE SWITCH, TOGGLE, ONE POLE, SEALED TOGGLE	SPECIFICATION SHEET NUMBER <b>MS18151J</b> 18 July 1991 SUPERSADING MS18151H 15 Nov 1980 AMSC N/A FSC 5930
---	---	--

Department of Defense

THE REQUIREMENTS FOR ACQUIRING THE PRODUCT(S) DESCRIBED HEREIN SHALL CONSIST OF THIS SPECIFICATION SHEET AND THE ISSUE OF THE FOLLOWING SPECIFICATION LISTED IN THAT ISSUE OF THE DODISS SPECIFIED IN THE SOLICITATION MIL-S-83731

THIS SPECIFICATION IS APPROVED FOR USE BY all Departments and Agencies of the Department of Defense.

Form Approved  
OMB No 0704 0188

INCHES	MM	INCHES	MM	INCHES	MM	INCHES	MM	INCHES	MM
024	61	078	1 98	229	5 82	258	6 55	408	10 36
034	86	167	4 24	230	5 84	.266	6.76	688	17 48
055	1 40	213	5 41	234	5 94	28	7 1		
057	1 45	223	5 66	235	5 97	33	8 4		
060	1 52	225	5 72	250	6 35	349	8.86		
067	1 70	228	5 79	252	6 40	388	9 86		

#### DETAIL REQUIREMENTS

- All switches on this standard are designed so that the movement of the switch mechanism is the same as that of the toggle lever
- Switching action Keying side - On, Center - None, Opposite side - On
- Electrical ratings

(J)

	28 Vdc	125 Vdc	115 VAC 60 and 400 Hz
RES	1 5 A	0 1 A	1 0 A
IND	0 5 A	0 1 A	0 5 A
LAMP	0 5 A	0 1 A	0 5 A

- Strength of actuating lever pivot and lever stop 12 pounds
- Dielectric withstanding voltage  
Initial - 1,000 V (sea level), 400 V (altitude)  
After endurance tests - 600 V
- Shock - Method II
- Operating temperature range -40° to +71°C
- Short circuit Method II
- Weight 0 010 pound maximum
- Electrical life at 65,000 ft altitude 2,000 cycles

#### NOTES

- Dimensions are in inches
- Metric equivalents are given for general information only and are based upon 1 00 inch = 25 4 mm
- Unless otherwise specified, tolerances are  $\pm 005$  ( 13 mm) for three place decimals and - 01 ( 5 mm) for two place decimals
- For hardware detail specifications see appendix MIL-S-83731
- Contour of switch optional provided maximum dimensions specified are not exceeded
- Referenced documents shall be of the issue in effect on date of invitation for bid
- For design feature purposes, this standard takes precedence over procurement documents referenced herein.

PREPARING ACTIVITY CUSTODIANS AIR FORCE Army-AV Navy-AS REVIEW Air Force-11, 99 DLA-es USER PROJECT NUMBER 5930-1455	MILITARY SPECIFICATION SHEET TITLE SWITCH, TOGGLE, ONE POLE, SEALED TOGGLE	SPECIFICATION SHEET NUMBER MS18151J SUPERSEDING MS18151J 1 <sup>st</sup> Nov 1980 AMSC N/A FSC 5910
DISTRIBUTION STATEMENT A Approved for public release, distribution is unlimited		Page ___ of ___