

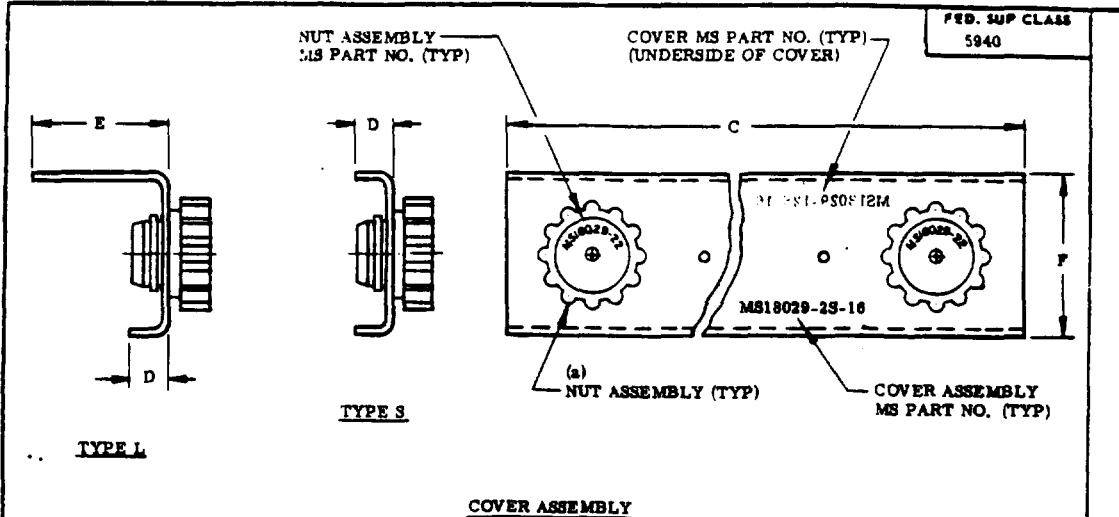
(Project No. 5940-0677)

FED. SUP CLASS
5940

REVIEWER SYMBOLS:
AIR FORCE - RO, 17
ARMY - EL, MI
NAVY - M
USA - GS

Review/user information is current as of the date of this document.
For future coordination of changes to this document, draft circulation
should be based on the information in the current DODISS.

This military standard is mandatory for use by all Departments
& Agencies of the Department of Defense. Selection for all new
engineering and design applications and for replacing use shall
be made from this document.



ASSEMBLY NO.	COVER DASH NO.		STUDS		NUT ASSEMBLY DASH NO.	C (REF)	D (REF)	E (REF)	F (REF)
	TYPE L	TYPE S	(N) MAX.	SIZE					
MS18029-1(*)-(N)	-11L-(N)	-11S-(N)	20	.138-32	-21	12.334	.234	.734	.813
MS18029-2(*)-(N)	-12L-(N)	-12S-(N)	16	.190-32	-22	12.454		.906	1.063
MS18029-3(*)-(N)				.250-28	-23				
MS18029-4(*)-(N)	-13L-(N)	-13S-(N)	8	.312-24	-24	12.641	.375	1.312	1.500
MS18029-5(*)-(N)				.375-24	-25				
MS18029-6(*)-(N)	-14L-(N)	-14S-(N)	16	.164-32	-26	12.454	.234	.734	.813

(a) COVER ASSEMBLIES MS18029-1L-2 OR MS18029-1S-2 USE NUT ASSEMBLY MS18029-21 (QTY 1). ALL OTHERS REQUIRE TWO NUT ASSEMBLIES.

NOTES:

- (*) USE LETTER L OR S TO INDICATE TYPE COVER DESIRED.
(N) INDICATES THE NUMBER OF STUDS IN A MS27212 TERMINAL BOARD ASSEMBLY TO BE COVERED.
- EXAMPLE OF PART NUMBER:
MS18029-2S-16 INDICATES A COVER ASSEMBLY FOR A MS27212 TERMINAL BOARD ASSEMBLY HAVING 16 STUDS, .190-32 UNF
THIS COVER ASSEMBLY WILL CONSIST OF THE FOLLOWING:
1 - MS18029-12S-16 TYPE S COVER
2 - MS18029-22 NUT ASSEMBLIES
COVER ASSEMBLY MS PART NUMBER SHALL BE MARKED ON TOP OF COVER.
- THE GOVERNMENT SERVICES SHALL PROCURE AND STOCK ONLY COVERS MS18029-11L-20, -11S-20, -12L-16, 12S-16, -13L-8, 13S-8, -14L-16, 14S-16, AND NUT ASSEMBLIES MS18029-21 THROUGH -26.
- THE INSTALLING ACTIVITY SHALL FABRICATE COVER ASSEMBLIES FROM PARTS TO BE STOCKED.
- (N) CODE IS FOR INDUSTRY USE ONLY, FOR THE PROCUREMENT OF COVER ASSEMBLIES OF VARIOUS LENGTHS.
- COVER ASSEMBLIES ARE NOT TO BE USED IN INSTALLATIONS WHERE THE TEMPERATURE EXCEEDS 475° F.
- A MINIMUM OF THREE THREADS MUST BE EXPOSED AFTER TERMINAL STACKING ON THE END STUDS FOR COVER INSTALLATION.

FOR DESIGN FEATURE PURPOSES, THIS STANDARD TAKES PRECEDENCE OVER PROCUREMENT DOCUMENTS REFERENCED HEREIN. REFERENCED DOCUMENTS SHALL BE OF THE ISSUE IN EFFECT ON DATE OF INVITATIONS FOR BID.

(E) ENTIRE STANDARD REVISED AND REDRAWN		
P. A. NAVY - AS	TITLE	MILITARY STANDARD
Other Code AIR FORCE - 80 ARMY - EL	COVER ASSEMBLY, ELECTRICAL, FOR MS27212 TERMINAL BOARD ASSEMBLY	MS18029
PROCUREMENT SPECIFICATION NONE	SUPERSEDES MS18029(AS)	SHEET 1 OF 3

DD FORM 672-1 (Coordinated)

PREVIOUS EDITIONS OF THIS FORM ARE OBSOLETE.

PLATE 80, 15320

APPROVED 10 APRIL 1963 REVISED (E) 14 MAY 71

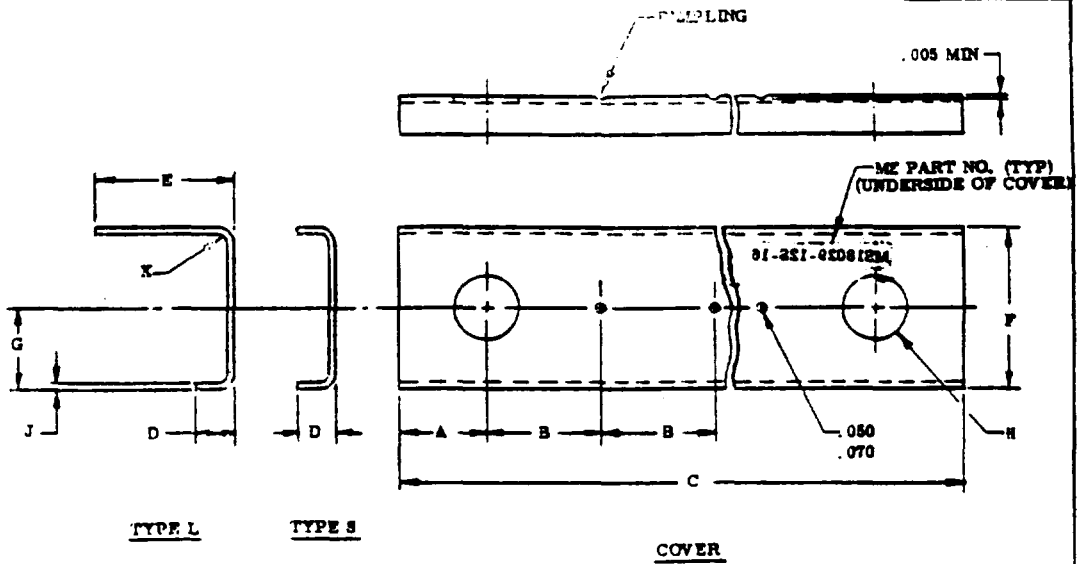
USER SYMBOLS:
NAVY - MC

REVISION SYMBOLS:
AIR FORCE - 80, 17
ARMY - EL, MI
NAVY -
DSA - GS

Revision/step information is correct as of the date of this document.
For future coordination of changes to this document, draft circulation
should be based on the information in the current 900199.

This military standard is mandatory for use by all Departments
& Agencies of the Department of Defense. Requests for all new
engineering and design applications and for revisions are to be
made from this document.

FED. MFP CLASS
5840



MS DASH NO.		STUD SIZE (REF)	MAX. NO. OF STUDS (REF)	A	B	C	D	E	F	G	H	J	K
TYPE L	TYPE S			± .016	MAX (REF)	± .030	± .030 TYPE L	± .002	± .010	RAD			
-11L-(N)	-11S-(N)	.138-32	20	.515	.594	12.334	.234	.734	.813	.406	.430	.034	.062
-12L-(N)	-12S-(N)	.190-32	16	.593	.750	12.454	.234	.906	1.063	.531	.430	.034	.062
-13L-(N)	-13S-(N)	.250-28	8	1.062	1.500	12.641	.375	1.312	1.500	.750	.664	.050	.125
		.312-24											
		.375-24											
-14L-(N)	-14S-(N)	.164-32	16	.593	.750	12.454	.234	.734	.813	.406	.430	.034	.062

NOTES:

- MATERIAL: PLASTIC, LAMINATE, IN ACCORDANCE WITH MIL-P-25518. TYPE L
- TOLERANCE BETWEEN ANY TWO "B" DIMENSIONS SHALL BE WITHIN ± .010.
- DIMENSIONS IN INCHES, UNLESS OTHERWISE SPECIFIED; TOLERANCE: DECIMALS ± .016.
- DIMPILING IS TO ENSURE CORRECT POSITIONING OF HOLE FOR THE NUT ASSEMBLY WHEN COVER IS USED ON TERMINAL BOARD ASSEMBLY HAVING LESS STUDS THAN THE MAXIMUM NUMBER SPECIFIED IN ABOVE TABLE.
- EXAMPLE OF CALLOUT FOR SHORTER LENGTHS: MS18029-13L-5 IS A COVER OF THE TYPE L WITH TWO .664 DIA HOLES SPACED 6.00 INCHES FROM CENTER TO CENTER. THIS COVER WHEN ASSEMBLED WITH TWO MS18029-23 NUT ASSEMBLIES BECOMES COVER ASSEMBLY MS18029-3L-5 AND IS USED TO COVER TERMINAL BOARD ASSEMBLY MS27212-3-5.
- COVER MS PART NUMBER SHALL BE MARKED ON UNDERSIDE OF COVER.

APPROVED 10 APRIL 1963 REVISED (E) FOR CHANGES SEE SHEETS 1, 2, AND 3

P.A. NAVY - AS	TITLE	MILITARY STANDARD
Other Code AIR FORCE - 80 ARMY - EL	COVER ASSEMBLY, ELECTRICAL, FOR MS27212 TERMINAL BOARD ASSEMBLY	MS18029
PROCUREMENT SPECIFICATION NONE	SUPSEDES: MS18029(AS)	SHEET 2

REVISOR SYMBOLS:
 AIR FORCE - 80, 17
 ARMY - EL, MI
 NAVY - GS
 DSA - GS

*Revision/new information is correct as of the date of this document.
 For future coordination of changes to this document, draft identification
 should be based on the information in the current SBIRB.

This military standard is mandatory for use by all Departments
 & Agencies of the Department of Defense. Selection for all new
 engineering and design applications and for reprints use shall
 be made from this document.

FED. SMP CLASS
 5940

RADIUS OPTIONAL

12 SERRATIONS
.050 DEEP
.046 RADIUS

NUT ASSEMBLY
MS PART NO. (TYP)
RAISED .010 MAX

MANUFACTURER'S
TRADEMARK
RAISED .010 MAX
LOCATION OPTIONAL

.068 (REF)

.500 DIA (REF)

M (REF)

MS18624
RETAINING RING
(SEE TABLE)

NUT

NUT ASSEMBLY

SHAPE
OPTIONAL

.062

.010 R TYP

SELF-LOCKING
FEATURE (DESIGN
OPTIONAL) (SEE
NOTE 7)

THREADED METAL
INSERT

P .015

E

O A B C K D

N

F H J

MS DASH NO.	THREAD T INSERT	RETAINING RING	A	B	C	D REF	E REF	F DIA P.005	H DIA	J DIA REF	K REF	M DIA REF	N DIA P.008	O	P *.0312 (REF.)
			.129	.176	.250	.313	.500	.373	.397	.562	.310	.750	.365	.125	.1250
-21	.138-32 UNC-2B	MS18624-1040	.129	.176	.250	.313	.500	.373	.397	.562	.310	.750	.365	.125	.1250
-22	.190-32 UNF-2B	MS18624-1040	.129	.176	.250	.313	.500	.373	.397	.562	.310	.750	.365	.125	.1250
-23	.250-28 UNF-2B	MS18624-1062	.212	.277	.367	.430	.625	.550	.625	.750	.437	.875	.570	.187	.1875
-24	.312-24 UNF-2B	MS18624-1062	.212	.277	.367	.430	.625	.550	.625	.750	.437	.875	.570	.187	.1875
-25	.375-24 UNF-2B	MS18624-1062	.212	.277	.367	.430	.625	.550	.625	.750	.437	.875	.570	.187	.1875
-26	.164-32 UNC-2B	MS18624-1040	.129	.176	.250	.313	.500	.373	.397	.562	.310	.750	.365	.125	.1250

NOTES:

- MATERIAL: (a) NUT: DIALYL PHTHALATE GDI-30F PER MIL-M-19833.
(b) METAL INSERT: CORROSION RESISTANT STEEL. PER FED. STD. NO. 66, COMPOSITION 421.
- THREADS: SHALL BE IN ACCORDANCE WITH SCREW-THREAD STANDARDS FOR FEDERAL SERVICES, HANDBOOK H28.
- DIMENSIONS IN INCHES UNLESS OTHERWISE SPECIFIED; TOLERANCES: DECIMALS ±.010.
- RETAINING RING AND NUT ARE NOT TO BE ASSEMBLED UNTIL NUT IS INSTALLED ON APPLICABLE COVER.
- NUT ASSEMBLY MS PART NUMBER SHALL BE MARKED ON TOP OF NUT.
- .015R OR .015 X 45° CHAMFER PERMISSIBLE ON ALL SHARP EDGES.
- IMPERFECT THREADS WILL NOT BE PERMITTED.

P.A. NAVY - AS
 Other Code
 AIR FORCE - 80
 ARMY - EL

TITLE
 COVER ASSEMBLY, ELECTRICAL, FOR MS27212
 TERMINAL BOARD ASSEMBLY

MILITARY STANDARD
MS18029

PROCUREMENT SPECIFICATION
 NONE

SUPERSEDES:
 MS18029(AS)

SHEET
 3

APPROVED 10 APRIL 1963 REVISED (E) FOR CHANGES SEE SHEETS 1, 2, AND 3.