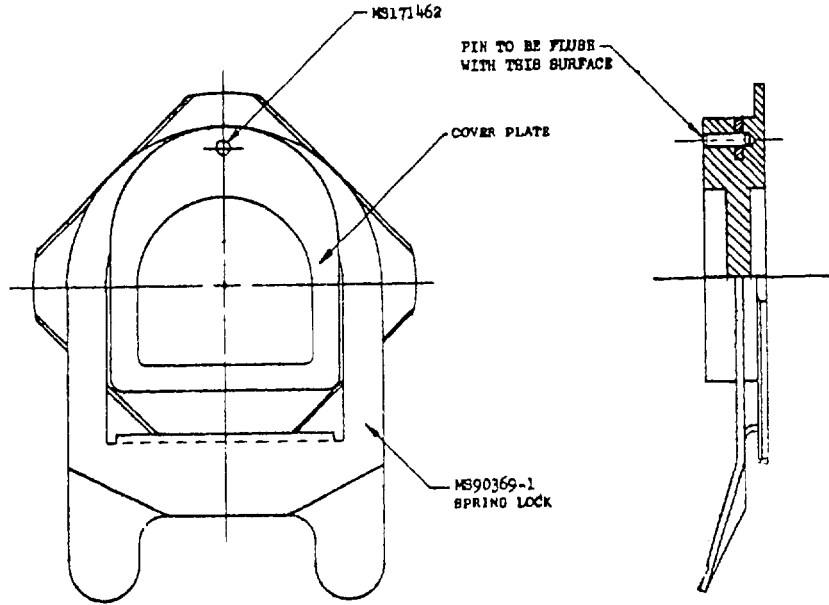


Note: This draft, dated February 1965 prepared by WP, has not been approved and is subject to modification. DO NOT USE PRIOR TO APPROVAL.

FED. SUP CLASS
8475



DASH NO.
-1

NOTES:

1. MATERIAL: COVER PLATE, ALUMINUM ALLOY CASTING, CLASS B, IN ACCORDANCE WITH QQ-A-596. SPRING LOCK, CORROSION RESISTANT STEEL, CLASS 301, CONDITION FULL HARD, IN ACCORDANCE WITH QQ-B-766.
2. FINISH: COVER PLATE, ANODIZE, TYPE II, IN ACCORDANCE WITH MIL-A-8625. DYED GRAY SPRING LOCK, PASSIVATE IN ACCORDANCE WITH MIL-STD-171.
3. REMOVE ALL BURR AND BREAK ALL SHARP EDGES.
4. DIMENSIONS IN INCHES. UNLESS OTHERWISE SPECIFIED, TOLERANCES: DECIMALS ±.010, ANGLES ±1°.
5. USAGE: INTENDED FOR USE TO SEAL OFF INLET PORTS WHEN THE VENTILATION AND/OR ANTI-C SUIT APERTURE IN THE PRESSURE SUIT OR ANTI-C SUIT IS NOT BEING USED.

FOR DESIGN FEATURE PURPOSES, THIS STANDARD TAKES PRECEDENCE OVER PROCUREMENT DOCUMENTS REFERENCED HEREIN. REFERENCED DOCUMENTS SHALL BE OF THE ISSUE IN EFFECT ON DATE OF INVITATIONS FOR BID.

(A) ENTIRE STANDARD REVISED

This standard has been approved by the BUREAU OF NAVAL WEAPONS
 activity of the NAVY and is mandatory for use by
 activity. All other military activities are required
 unless this standard where suitable.

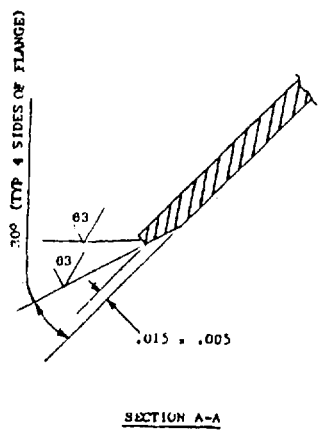
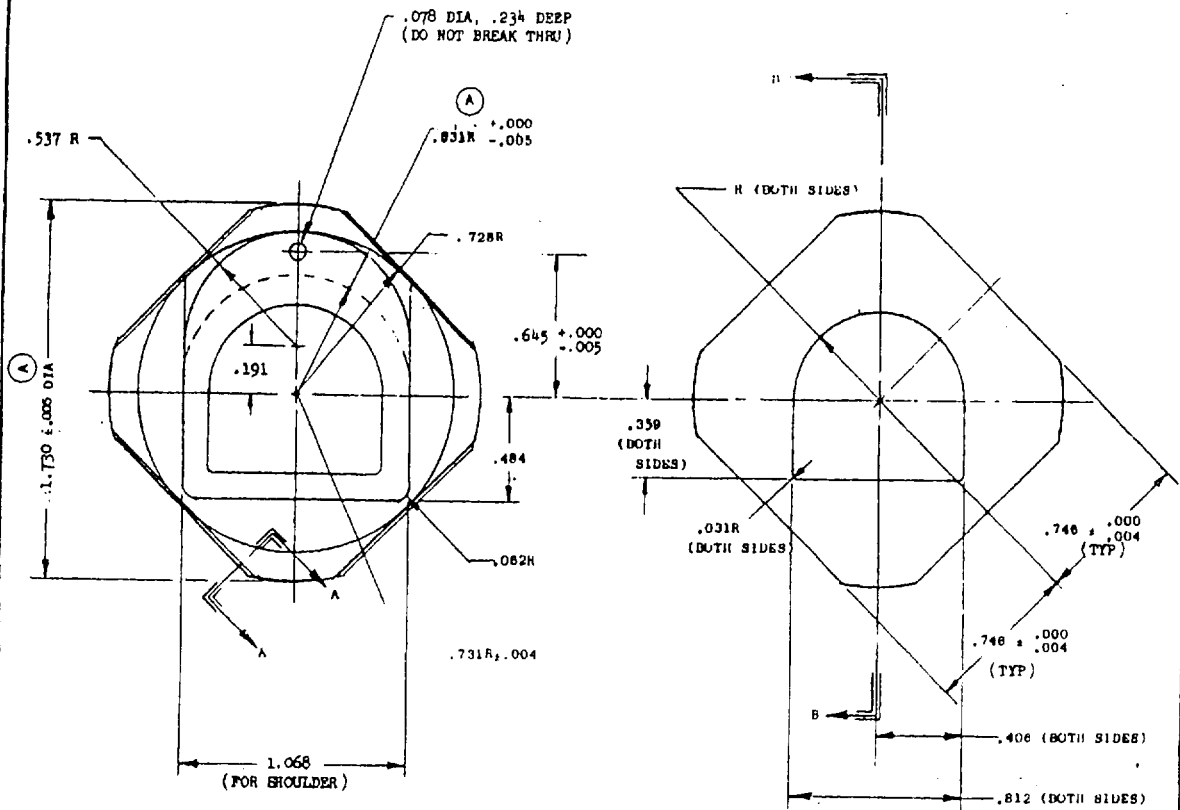
P.A. NAVY-WP Other Cust	TITLE COVER PLATE ASSEMBLY
PROCUREMENT SPECIFICATION	SUPERSEDES

MILITARY STANDARD	
MS17970(WP)	
SHEET	OF

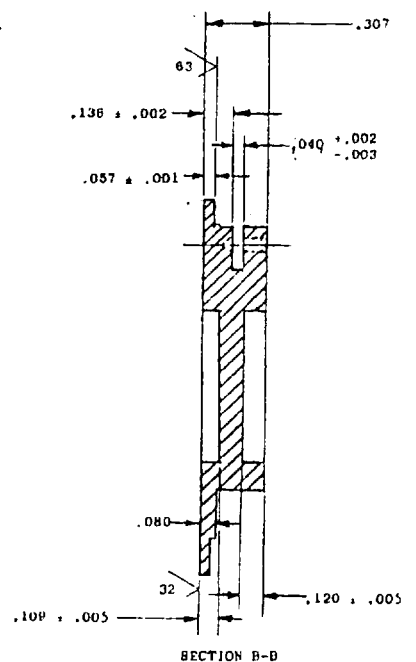
APPROVED 2 DECEMBER 63 REVISED (A) 27 April 1965

V-058

FED. SUP CLASS
8475



COVER PLATE



This standard has been approved by the BUREAU OF NAVAL WEAPONS Department of the NAVY and is mandatory for use by that activity. All other military activities are required to employ this standard where suitable.

APPROVED 2 DECEMBER 63 REVISED (A) FOR CHANGES, SEE SHEETS 1 AND 2.

P.A. NAVY-WP	TITLE	MILITARY STANDARD
Other Cust	COVER PLATE ASSEMBLY	MS17970(WP)
PROCUREMENT SPECIFICATION NONE	SUPERSEDES:	SHEET 1