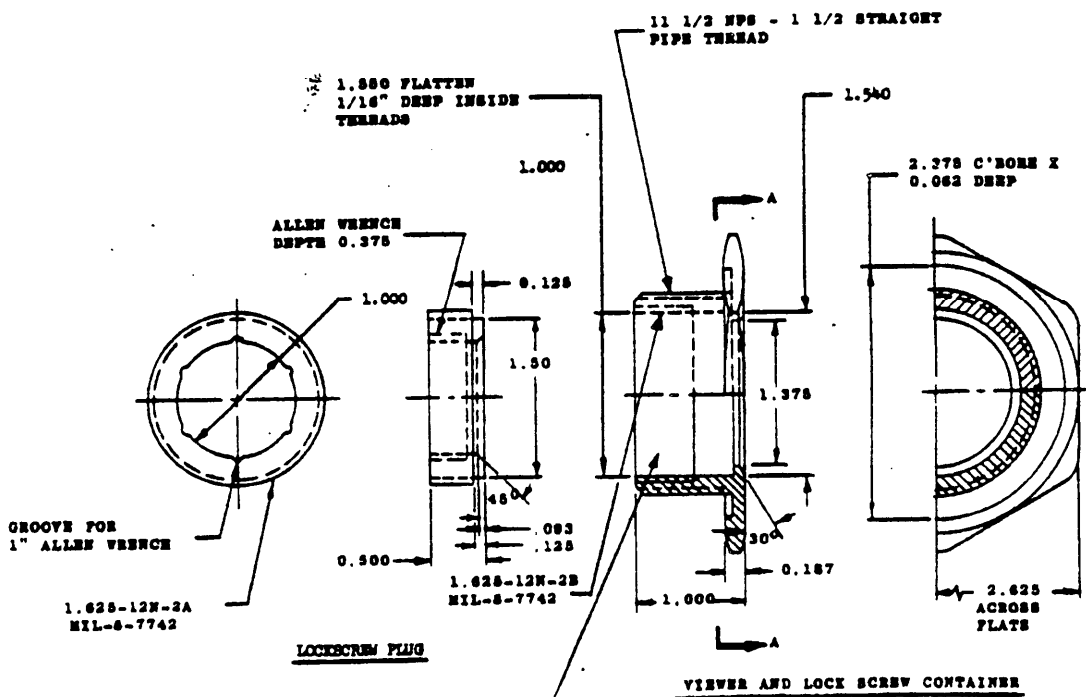
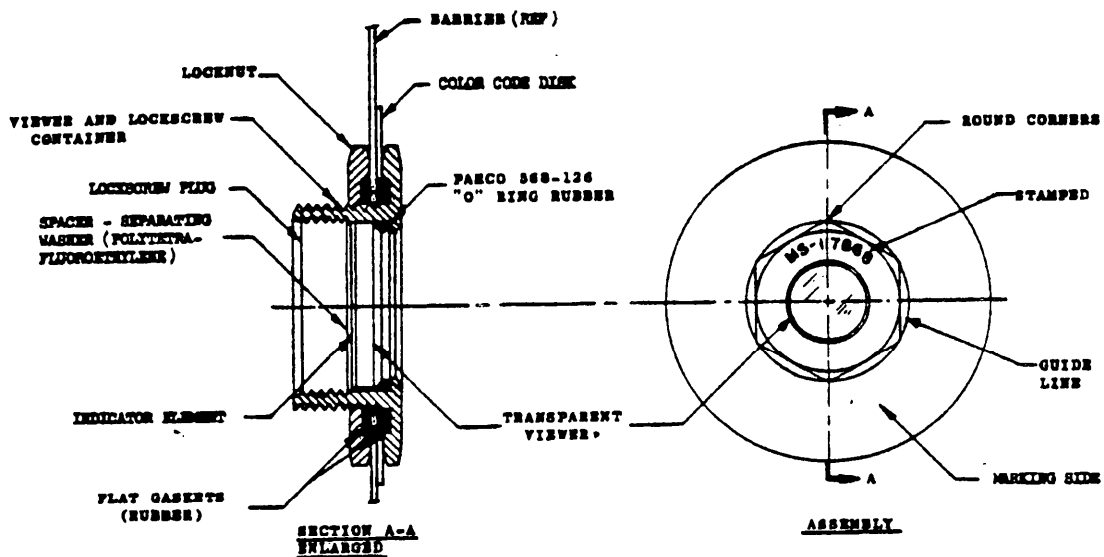


FED. SUP CLASS
6685



INTERNAL LENGTH DIMENSIONS SHALL BE SUCH AS TO ACCOMMODATE COMPONENT HARDWARE I.E., LOCKSCREW, VIEWER, INDICATOR, ETC.

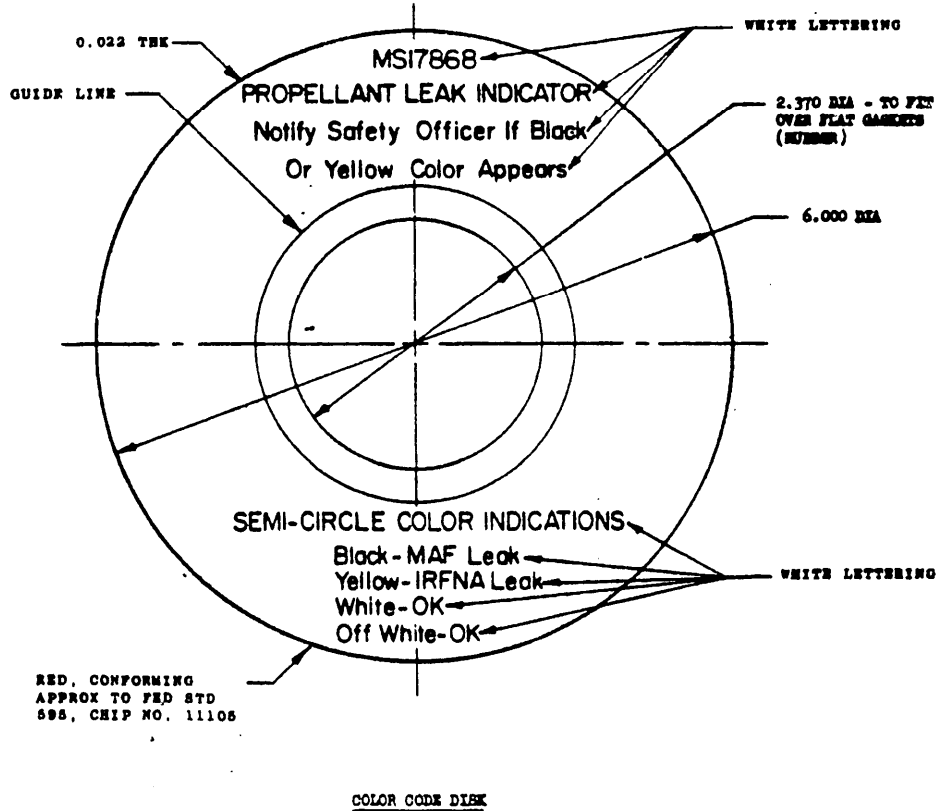
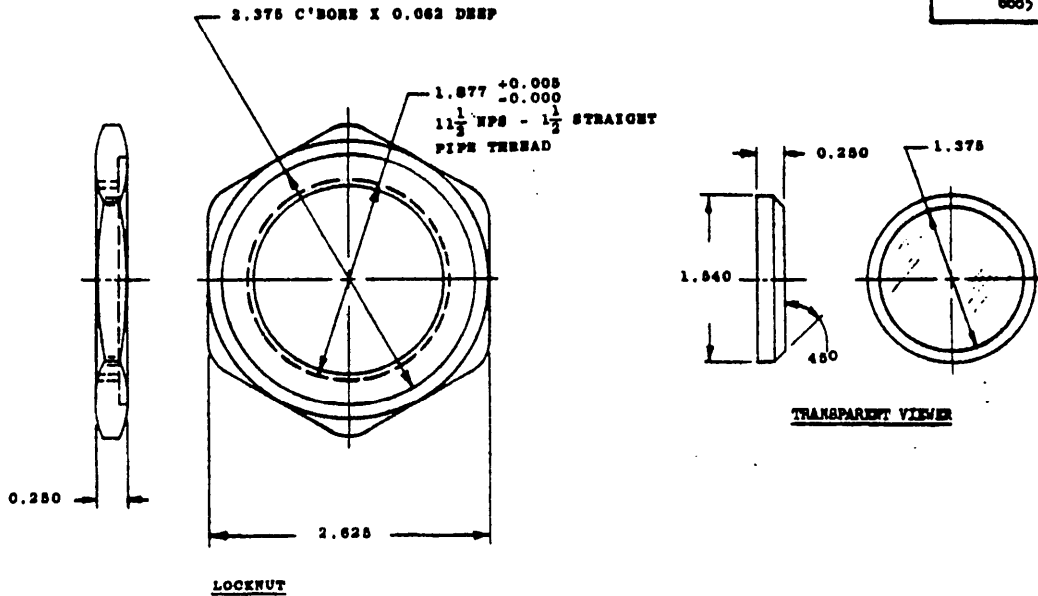
This standard has been approved by the BUREAU OF NAVAL WEAPONS Department of the NAVY and is mandatory for use by the activity. All other military activities are required to employ this standard where suitable.

(A) REVISED AND REDRAWN

APPROVED 6 July 1964 REVISED 9 June 1964

P.A. NAVY-Weps Other Case	TITLE INDICATOR, PROPELLANT LEAK, PLUG, COLOR CHANGE, FOR UNSYMMETRICAL DIMETHYLHYDRAZINE AND FUMING NITRIC ACID.	MILITARY STANDARD MS17868(Weps)
PROCUREMENT SPECIFICATION NONE	SUPERSEDES:	SHEET 1 OF 3

FED. SUP CLASS
6685



This standard has been approved by the BUREAU OF NAVAL WEAPONS Department of the NAVY, and is mandatory for use by that activity. All other military activities are required to comply with standard where applicable.

APPROVED 6 July 1962 REVISED 9 June 1964

P.A. NAVY-Weps Other Cost	TITLE	MILITARY STANDARD
	INDICATOR, PROPELLANT LEAK, PLUG, COLOR CHANGE, FOR UNSYMMETRICAL DIMETHYLHYDRAZINE AND FUMING NITRIC ACID.	MS17868(Weps)
PROCUREMENT SPECIFICATION NONE	SUPERSEDES:	SHEET 2 of 3

NOTES:

1. MATERIAL: PLUGS, ALUMINUM ALLOY 6061, SPECIFICATION QQ-A-325. INDICATING ELEMENT, BLOTTING PAPER, SPECIFICATION UU-P-63, GRADE B, .185 ± .0035 THICK. COLOR OF THE BLOTTING PAPER SHALL BE WHITE. GASKETS, RUBBER, SPECIFICATION MIL-R-6855, CLASS II, GRADE 60. SEPARATING WASHER (1.50 OD AND 1.25 ID, LOCATED BETWEEN THE PLUG AND INDICATING ELEMENT SHALL BE POLYTETRAFLUOROETHYLENE. VIEWING SURFACE, CLEAR TRANSPARENT GLASS. COLOR CODE DISK, RED WEATHER RESISTANT PLASTIC, 20 ± 3 MILS THICK. LETTERING ON THE COLOR CODE DISK SHALL BE 1/8 INCH HIGH AND SHALL BE PRINTED DIRECTLY ON THE DISK OR ON LABELS WHICH SHALL BE WATERPROOF AND WEATHER-PROOF. LETTERING SHALL NOT BE OBLITERATED BY NORMAL HANDLING OR IMMERSION IN WATER AND SHALL NOT FADE UPON EXPOSURE TO DIRECT SUNLIGHT.
2. FINISH: THE INDICATING ELEMENT SHALL CONSIST OF TWO SEMICIRCLES, ONE OF WHICH SHALL BE IMPREGNATED WITH ENOUGH N-PRENTLAFTHANILIC ACID TO TURN BRIGHT YELLOW WHEN EXPOSED TO FUMING NITRIC ACID. THE SECOND SHALL BE IMPREGNATED WITH ENOUGH MERCURIOUS CHLORIDE TO TURN BLACK WHEN EXPOSED TO MAF-1 FUMES. THE INDICATING PAPER CONTAINING N-PRENTLAFTHANILIC ACID SHALL BE PREPARED BY DIPPING THE PAPER IN A SOLUTION OF 0.2% OR MORE BY WEIGHT OF N-PRENTLAFTHANILIC ACID IN METHYL ALCOHOL. THE INDICATING PAPER CONTAINING MERCURIOUS CHLORIDE SHALL BE PREPARED BY ADDING SEVERAL DROPS OF A MIXTURE, CONTAINING 15% BY WEIGHT OF MERCURIOUS CHLORIDE AND 1% BY WEIGHT OF CARBOXYMETHYLCELLULOSE IN WATER, TO THE PAPER.
3. INTERFERT DRAWING IN ACCORDANCE WITH STANDARDS PRESCRIBED BY SPECIFICATION MIL-D-70327.
4. THIS STANDARD TAKES PRECEDENCE OVER PROCUREMENT DOCUMENTS REFERENCED HEREIN.
5. REFERENCED DOCUMENTS SHALL BE OF THE ISSUE IN EFFECT ON DATE OF INVITATIONS FOR BID.
6. PREPARATION FOR DELIVERY: PLUGS SHALL BE INDIVIDUALLY SEALED IN TRANSPARENT BAGS CONFORMING TO SPECIFICATION MIL-B-22205, TYPE III, AND SHUPLY PACKAGED, TO PRECLUDE MOVEMENT OF THE ITEM, IN CASES CONFORMING TO SPECIFICATION FPP-C-96, TYPE V, CLASS 2. PACKING METHOD SHALL BE AS SPECIFIED IN THE APPENDIX OF SPECIFICATION FPP-C-96.
7. A GUIDE LINE SHALL BE USED TO CENTER THE DISK AT ASSEMBLY.
8. DIMENSIONS IN INCHES. UNLESS OTHERWISE SPECIFIED, TOLERANCES: DECIMALS ± .005 ANGLES ± 1/2°.

This standard has been approved by the BUREAU OF NAVAL WEAPONS Department of the NAVY and is mandatory for use by that activity. All other military activities as required to employ this standard where suitable.

APPROVED 6 JULY 1962 REVISED 9 June 1964

P.A. NAVY-Weps	TITLE	MILITARY STANDARD
Other Cost	INDICATOR, PROPELLANT LEAK, PLUG, COLOR CHANGE, FOR UNSYMMETRICAL DIBETHYLHIDRAZINE AND FUMING NITRIC ACID	MS17868(Weps)
PROCUREMENT SPECIFICATION NONE	SUPERSEDES:	SHEET 3 OF 3