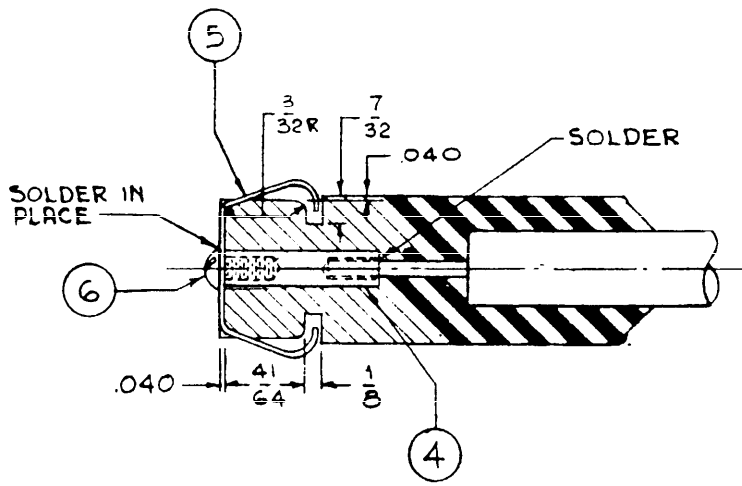
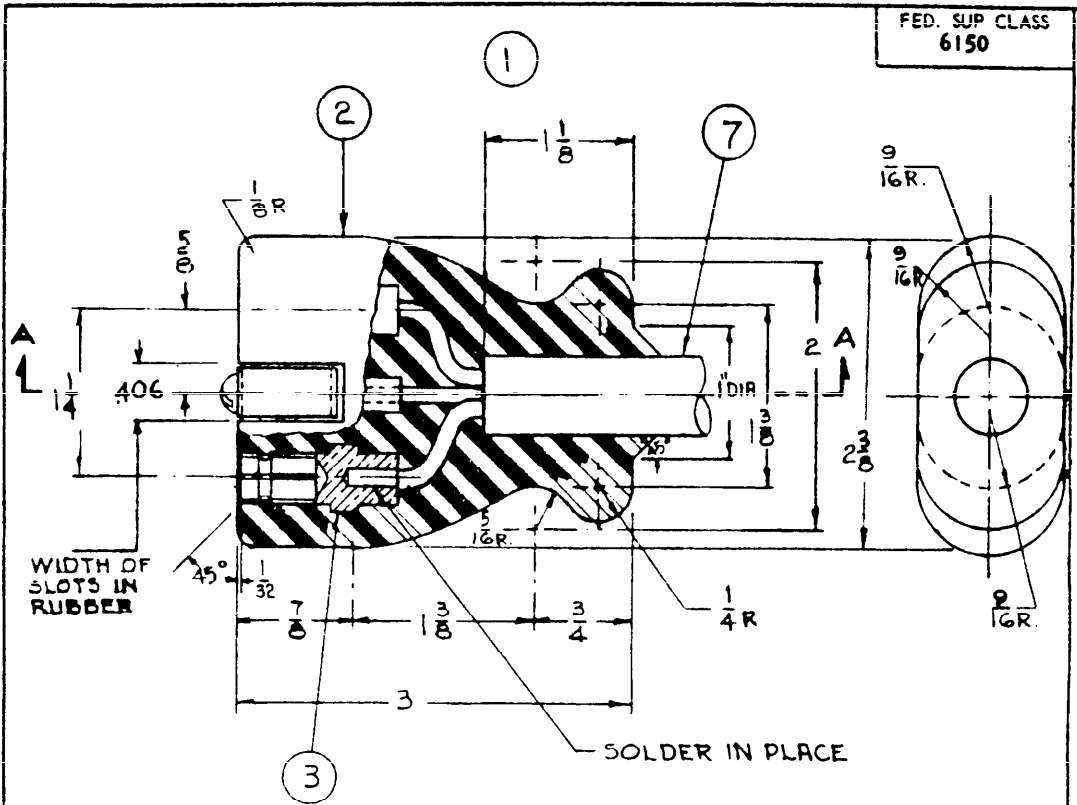


FED. SUP CLASS
6150



NOTICE.—When Government drawings, specifications, or other data are used for any purpose other than in connection with a definitely related Government procurement operation, the United States Government thereby incurs no responsibility, nor any obligation whatsoever; and the fact that the Government may have formulated, furnished, or in any way supplied the said drawings, specifications, or other data is not to be regarded by implication or otherwise in any manner, increasing the liability of the holder or any other person or corporation, or conveying any rights or permission to manufacture, use, or sell any patented invention that may in any way be related thereto.

This standard has been approved by the BUREAU OF SHIPS Department of the NAVY and is mandatory for use by that activity. All other military activities are required to employ this standard where suitable.

APPROVED 6 DEC 1961 REVISED

P.A. SHIPS	TITLE	MILITARY STANDARD
Other Cust	PLUG, GROUNDED, FOR SUBMARINE SEARCHLIGHTS	MS 17402 (SHIPS)
Procurement Specification	SUPERSEDES: 9000-S6202-73895, PC 6	SHEET 1 OF 3

FED. SUP. CLASS
6150

LIST OF MATERIAL - QUANTITIES FOR ONE UNIT

PC. NO.	NAME	QTY.	MATERIAL	REMARKS
1	ASSY, PLUG			
2	PLUG	1	POLYURETHANE OR RUBBER	(SEE NOTE 2)
3	SLEEVE, CONTACT	2	PHOSPHORUS BRONZE	COPPER PLATED
4	INSERT	1	BRASS	
5	CONTACT, GROUND	1	BERYLLIUM COPPER	
6	SCREW, R.H. #8-32 5/16 LG	1	BRASS	
7	CABLE, THOF-9, 15 FT LG			MIL-C-915

NOTES

1. DETAILS SHALL COMPLY WITH NOTES 2, 23, 24, 25, 35 53, 54A, & 55 OF STD MS 16662 (SHIPS)
2. MOLDED MATERIAL FOR PLUG SHALL BE SUITABLE FOR ITS APPLICATION AND SHALL BOND TO CABLE AND CONTACT SLEEVE.
3. THIS PLUG TO BE USED WITH RECEPTACLE CONNECTOR, BUSHIPS DWGS 815-1197099 OR 9000-56202-73895.
4. FOR DESIGN FEATURE PURPOSES, THIS STANDARD TAKES PRECEDENCE OVER PROCUREMENT DOCUMENTS REFERENCED HEREIN.
5. REFERENCED DOCUMENTS SHALL BE OF THE ISSUE IN EFFECT ON DATE OF INVITATIONS FOR BIDS.

DIMENSIONS ARE IN INCHES	
TOLERANCES UNLESS SPECIFIED	
DECIMAL DIMENSIONS	± .005
FRACTIONAL DIMENSIONS	± 1/64

NOTICE—When Government drawings, specifications, or other data are used for any purpose other than in connection with a definitely related Government procurement operation, the United States Government hereby disclaims any responsibility, nor any obligation whatsoever; and the fact that the Government may have furnished, furnished, or in any way supplied the drawings, specifications, or other data is not to be regarded by implication or otherwise as in any manner licensing the holder or any other person or corporation, or conveying any right or permission to manufacture, use, or sell any patented invention that may in any way be related thereto.

This standard has been approved by the Bureau of Ships Department of the Navy and is to be used by that activity. All other activities are required to employ this standard where applicable.

P.A. SHIPS Other Cust	TITLE PLUG, GROUNDED, FOR SUBMARINE SEARCHLIGHTS	MILITARY STANDARD MS 17402 (SHIPS)
PROCUREMENT SPECIFICATION	SUPERSEDES 9000-56202-73895, PC 6	SHEET 2

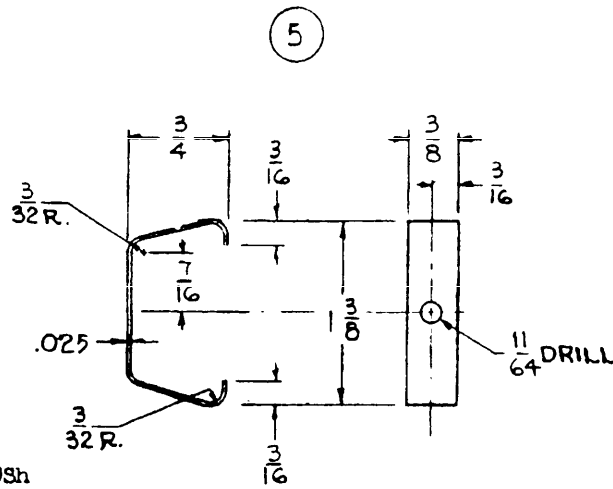
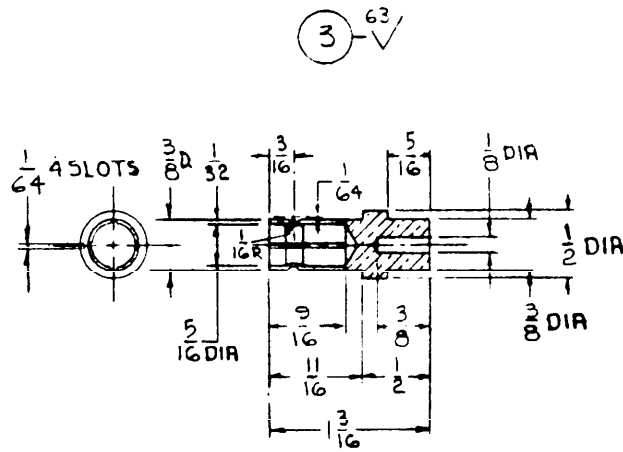
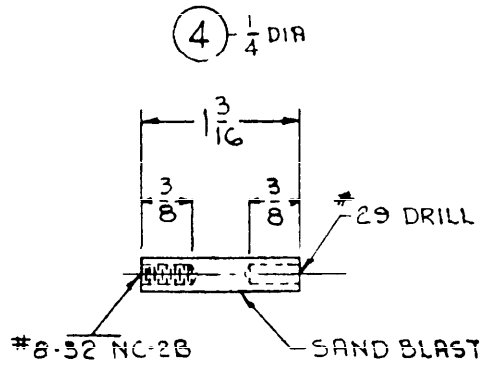
APPROVED 6 DEC 1961 REVISED

7

NOTICE.—When Government drawings, specifications, or other data are used for any purpose other than in connection with a definitely related Government procurement operation, the United States Government thereby incurs no responsibility, nor any obligation whatsoever, and the fact that the Government may have formulated, furnished, or in any way supplied the said drawings, specifications, or other data is not to be regarded by implication or otherwise as in any manner licensing the holder or any other person or corporation, or conveying any rights or permission to manufacture, use, or sell any patented invention that may in any way be related thereto.

This standard has been approved by the BUREAU OF SHIPS Department of the NAVY and is mandatory for use by that activity. All other military activities are required to employ this standard where suitable.

FED. SUP CLASS
6150



PROJECT 6150-N0009Sh

APPROVED 6 DEC 1961 REVISED

P.A. SHIPS	TITLE	MILITARY STANDARD
Other Cust	PLUG, GROUNDED, FOR SUBMARINE SEARCHLIGHTS	MS 17402(SHIPS)
Procurement Specification	SUPERSEDES: 9000-S6202-73895, PCS 7, 36 & 37	SHEET 3

4