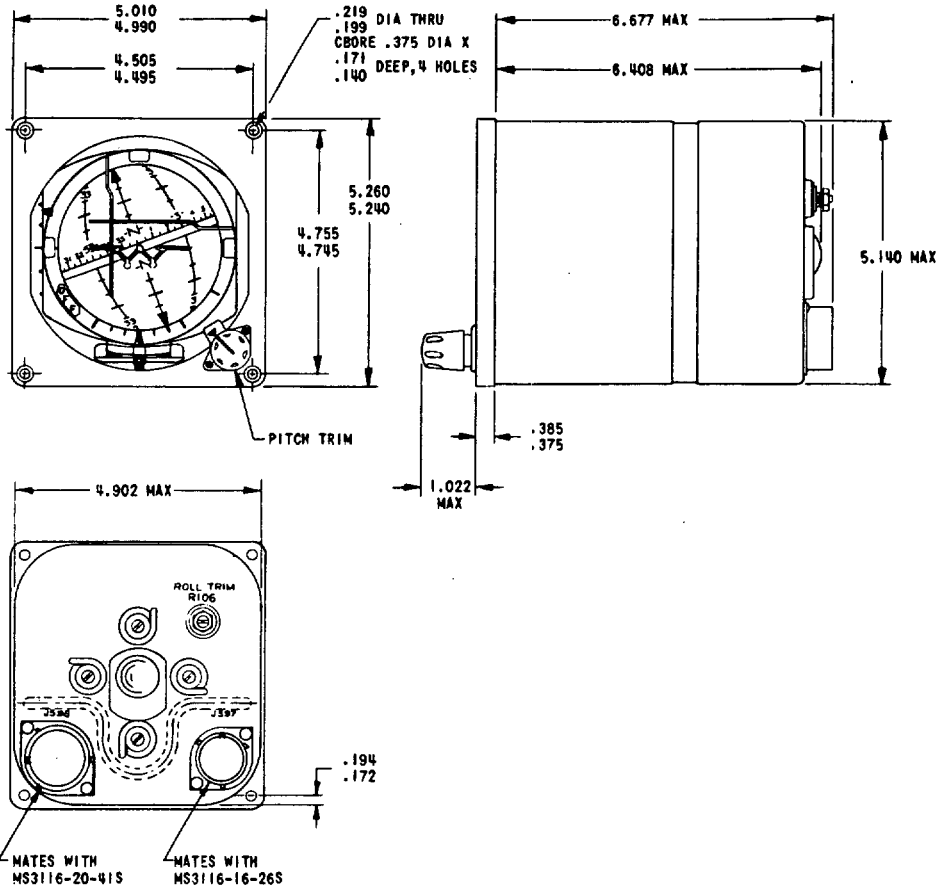


ED. SUP CLASS
6615

NOTICE.—When Government drawings, specifications, or other data are used for any purpose other than in connection with a definitely related Government procurement operation, the United States Government thereby incurs no responsibility, nor any obligation whatsoever, and the fact that the Government may have formulated, furnished, or in any way supplied the said drawings, specifications, or other data is not to be regarded by implication or otherwise as in any manner licensing the holder or any other person or corporation, or conveying any rights or permission to manufacture, use, or sell any patented invention that may in any way be related thereto.



DIMENSIONS IN INCHES.
TOLERANCE ON DECIMAL DIMENSIONS SHALL
BE ±.005, UNLESS OTHERWISE SPECIFIED.

NOTE:
INFORMATION SHOWN AS MARKING ON CASE
IS MANDATORY;
LOCATION AND PRESENTATION IS OPTIONAL.

THIS STANDARD TAKES PRECEDENCE OVER DOCUMENTS REFERENCED HEREIN. REFERENCED
DOCUMENTS SHALL BE OF THE ISSUE IN EFFECT ON DATE OF INVITATIONS FOR BID.

This standard has been approved by the Bureau of Naval Weapons (Department of the Navy) and is mandatory for use by this activity. All other military activities are required to employ this standard where suitable.

P.A. NAVY-BUWEP Other Cust	TITLE INDICATOR, ATTITUDE-DIRECTOR 1D-811/AJB-3A	MILITARY STANDARD MS17393(WEP)
PROCUREMENT SPECIFICATION MIL-I-23732(WEP)	SUPERSEDES:	SHEET OF

DD FORM 1 SEP 57 672-1

PREVIOUS EDITIONS OF THIS FORM ARE OBSOLETE.

U.S. GOVERNMENT PRINTING OFFICE: 1981 — 703-023/8035

APPROVED 15 JANUARY 1964