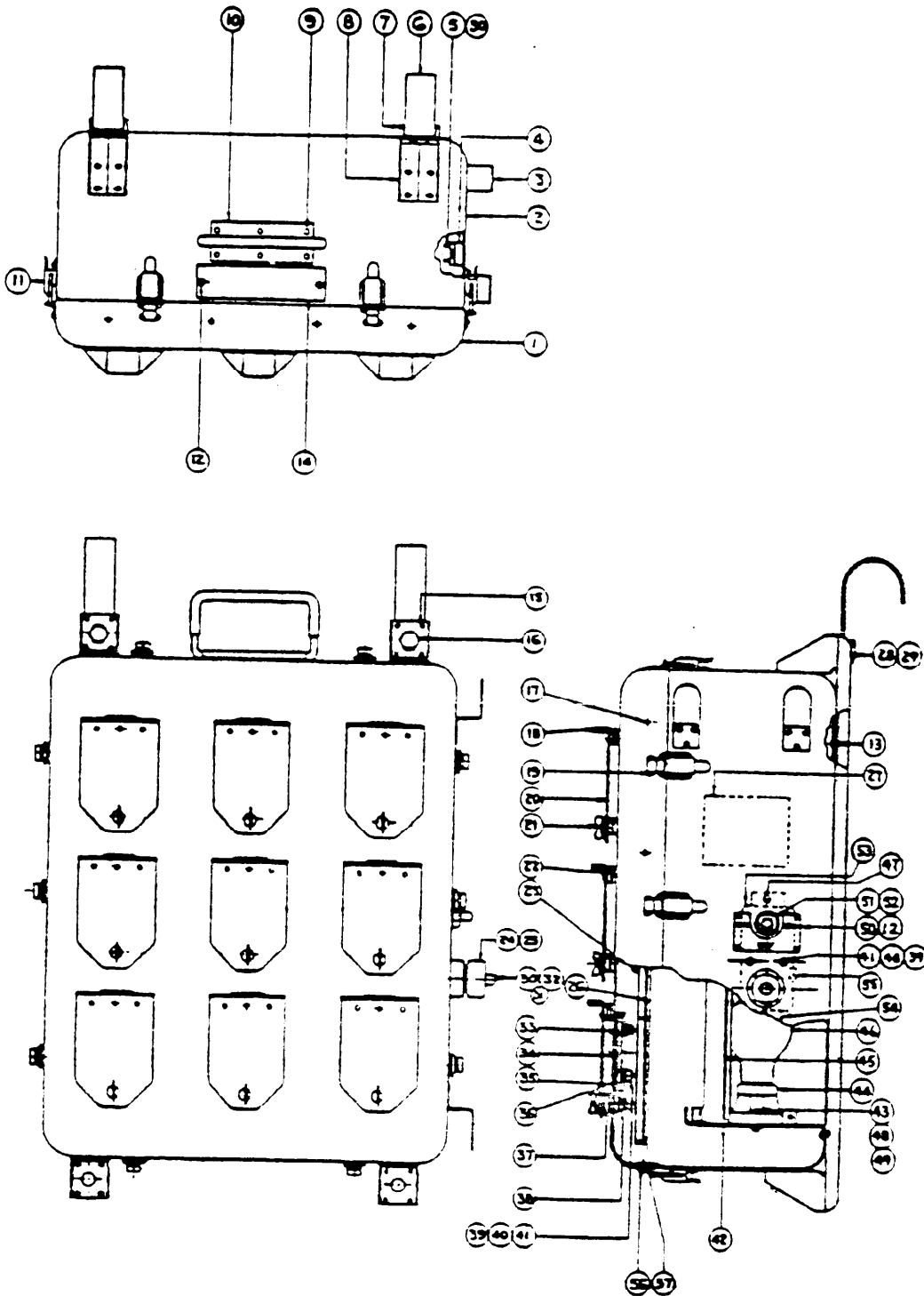


FED. SUP CLASS
6230



This military standard is approved for use by the Naval Sea Systems Command, Department of the Navy and is available for use by all Departments and Agencies of the Department of Defense.

AMSC N/A
DISTRIBUTION STATEMENT A Approved for public release; distribution unlimited

P. A. SH Other Cost	INTERNATIONAL INTEREST	TITLE LIGHT, STATION MARKING BOX, SP SYM. NO. 285 FOR NIGHT REPLENISHMENT OPERATIONS	MILITARY STANDARD
			MS 17287B(SH)
PROCUREMENT SPECIFICATION MIL-F-16377	SUPERSEDES:	DWG. 9000-S6401-74492	SHEET 1 OF 15

APPROVED 18 JUN 1962 REVISED (A) 7 AUG 1987 (B) 15 JUN 1988

FED. SUP CLASS
6230

LIST OF MATERIAL - QUANTITIES FOR ONE UNIT

PC. NO.	NAME	QTY.	MATERIAL	SPECIFICATION	REQUIREMENTS
1	COVER (DEEP DRAWN) 0.093	1	ALUMINUM		
2	BODY (DEEP DRAWN) 0.093	1	ALUMINUM		
3	STRAP, CABLE	4	ALUMINUM		
4	BLOCK, TERMINAL	1	COMM		
5	TERMINAL LUG	5	COMM	MIL-T-16366 TYPE WTG (TONGUE SHAPE L-57	
6	HANGER	2	ALUMINUM		
7	CHANNEL 1/2 X 1-1/2 X 1/2 X 1/8	2	ALUMINUM		
8	GUSSET	4	ALUMINUM		
9	RIVET 1/8, UNIV. HD. 5/16 LG	100	ALUMINUM		
10	HANDLE	1	ALUMINUM	WILMER NO. HA- 107 OR EQUAL	
11	LATCH AND STRIKE	10	ALUMINUM	NIELSEN CAT. NO. 204 OR EQUAL	
12	SCREW #5-40 RH 1/4 LG	6	CRES		
13	RIVET 1/8 UNIV. HD, 3/8 LG	42	ALUMINUM		
14	PLATE, IDENTIFICATION	1	ALUMINUM	TYPE B MIL-P-15024 -	
15	RIVET 1/8 COUNTERSUNK, 5/16 LG.	16	ALUMINUM		
16	SCREW 1/2-13 HEX 3/4 LG	2	CRES		
17	RIVET 3/32 UNIV. HD, 1/4 LG	16	ALUMINUM		
18	BUMPER PAD	9	RUBBER		
19	RIVET 1/8 COUNTERSUNK, 1/4 LG.	20	ALUMINUM		
20	COVER PLATE	9	ALUMINUM		
21	WING HEAD	9		SIMMONS CAT. #W2 OR EQUAL	
22	HINGE	9	CRES OR AL	BRONSON OR EQUAL	
23	BRACKET	2	ALUMINUM		
24	TUBE, STUFFING, SIZE 2	1	NYLON	MIL PART NO. M19622/1-002	
25	ASSEMBLY, PACKING, SIZE 2	1		M19622/17-004	
26	GASKET	2	RUBBER		
27	WIRING DIAGRAM LABEL	1	PAPER	TYPE III MIL-F-16377	
28	NUT, HEX 1/2-13	2	CRES		
29	WASHER, LOCK FOR 1/2 SCR	2	CRES		
30	CABLE (HARNESS) TYPE B-18	AS REQD		MIL-W-16878	
31	CABLE, TYPE SO-3/C #18	25 FEET		J-C-580	
32	PLUG (GROUNDED)	1			SEE REQ 5
33	GASKET	9	RUBBER		
34	LENS (RED)	9	PLASTIC	ROHM & HAAS #2223 OR EQUAL	
35	RING, BACKING	9	ALUMINUM		
36	GASKET	9	RUBBER		
37	SPACER	9	ALUMINUM		

APPROVED 18 JUN 1962 REVISED (A) 7 AUG 1987 (B) 15 JUN 1988

This military standard is approved for use by the Naval Sea Systems Command, Department of the Navy and is available for use by all Departments and Agencies of the Department of Defense

AMSC N/A
DISTRIBUTION STATEMENT A Approved for public release; distribution unlimited

P. A. Other Code	SH	INTERNATIONAL INTEREST	TITLE LIGHT, STATION MARKING BOX, SP SYM. NO. 285 FOR NIGHT REPLENISHMENT OPERATIONS	MILITARY STANDARD MS 17287B(SH)
PROCUREMENT SPECIFICATION MIL-F-16377	SUPERSEDES	DWG. 9000-S6401-74492	SHEET	2 OF 15

FED. SUP CLASS
6230

LIST OF MATERIAL - QUANTITIES FOR ONE UNIT

PC. NO.	NAME	QTY.	MATERIAL	SPECIFICATION	REQUIREMENTS
38	RECEPTACLE	9		SIMMONS CAT. #STR-2 OR EQUAL	
39	SCREW #8-32 FL HD, 5/8 LH	38	CRES		
40	WASHER, LOCKING, FOR #8 SCREW	40	CRES		
41	NUT, HEX #8-32	40	CRES		
42	SHELF	1	ALUMINUM		
43	SCREW #10-32 RH 7/8 LG	4	CRES		
44	LAMP HOLDER	2		MIL-L-970/6A	
45	SHIELD	2	ALUMINUM		
46	LAMP, 25 WATT	2		MS15586-5	
47	SCREW #8-32 FL HD, 1/2 LG	2	CRES		
48	WASHER, LOCKING FOR #10 SCREW	4	CRES		
49	NUT, HEX #10-32	4	CRES		
50	PLATE, MARKING	1	ALUMINUM	MIL-P-15024 TYPE H	
51	SWITCH, TOGGLE (DPDT)	1		MS-24524/21	
52	BOOT, TOGGLE SWITCH	1		STYLE 1, TYPE A MIL-B-5423/1	
53	SHIELD, (DEEP DRAWN)	1	ALUMINUM		
54	BRACKET	2	ALUMINUM		
55	GROMMET	1	RUBBER	CAMFIELD CAT. #1866-1 OR EQUAL	
56	BRACKET	2	ALUMINUM		
57	GASKET	2	RUBBER		

APPROVED 18 JUN 1962 REVISED (A) 7 AUG 1987 (B) 15 JUN 1988

This military standard is approved for use by the Naval Sea Systems Command, Department of the Navy and is available for use by all Departments and Agencies of the Department of Defense.

AMSC N/A

DISTRIBUTION STATEMENT A Approved for public release; distribution unlimited

P. A. Other Code	SH	INTERNATIONAL INTEREST	TITLE LIGHT, STATION MARKING BOX, SP SYM. NO. 285 FOR NIGHT REPLENISHMENT OPERATIONS	MILITARY STANDARD MS 17287B(SH)
PROCUREMENT SPECIFICATION MIL-F-16377	SUPERSEDES:	DWG. 9000-S6401-74492	SHEET 3 OF 15	

DD FORM 672-1 (UNLIMITED COORDINATION)

PREVIOUS EDITIONS OF THIS FORM ARE OBSOLETE

REQUIREMENTS

1. FIXTURE SHOWN HEREON SHALL COMPLY WITH AND BE TESTED IN ACCORDANCE WITH THE APPLICABLE REQUIREMENTS OF MILITARY SPECIFICATION MIL-F-16377.
2. COMPONENTS MAY BE ASSEMBLED BY SPOT WELDING IN LIEU OF RIVETING, IF DESIRED.
3. RUBBER PARTS ADJACENT TO METAL SURFACES SHALL BE SECURED WITH A SUITABLE ADHESIVE: PCS. 18 AND 36 TO PC. 20; PCS. 26, 33 AND 57 TO PC. 1.
4. ENCLOSURE DIMENSIONS MAY BE CONSIDERED TO BE VARIABLE TO THE EXTENT THAT AVAILABLE COMMERCIAL TOOLING CAN BE UTILIZED IN THE FABRICATION. FOLDED CONSTRUCTION WITH SEAMWELDED CORNERS WILL ALSO BE ACCEPTABLE. SEE ALTERNATE DETAIL.
5. RECEPTACLE PLUG USED IN THIS BOX SHALL BE THREE PRONG GROUNDING NAVY STANDARD SYMBOL NO. 1218.3, NSN 1H5935-00-220-2213.
6. PAINTING AND PROTECTION AGAINST CORROSION SHALL BE IN ACCORDANCE WITH MIL-E-917.

NOTES:

1. For design feature purposes this standard takes precedence over procurement documents referenced herein.
2. Referenced documents shall be of the issue in effect on date of invitations for bid.

TOLERANCES UNLESS SPECIFIED
DIMENSIONS ARE IN INCHES
DECIMAL DIMENSIONS <u>+</u> .005
FRACTIONAL DIMENSIONS <u>+</u> 1/64

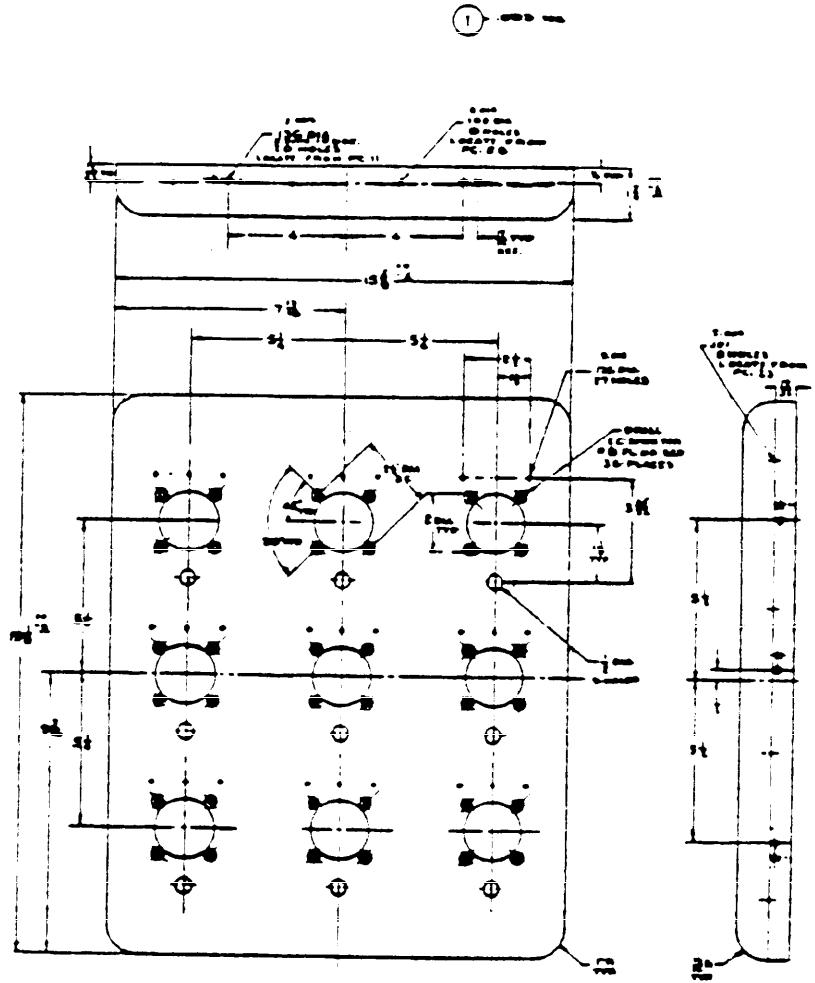
This military standard is approved for use by the Naval Sea Systems Command, Department of the Navy and is available for use by all Departments and Agencies of the Department of Defense.

APPROVED 18 JUN 1962 REVISED (A) 7 AUG 1987 (B) 15 JUN 1988

AMSC N/A
DISTRIBUTION STATEMENT A Approved for public release; distribution unlimited

P. A. SH Other Cost	INTERNATIONAL INTEREST	TITLE LIGHT, STATION MARKING BOX, SP SYM. NO. 285 FOR NIGHT REPLENISHMENT OPERATIONS	MILITARY STANDARD MS 17287B(SH)
PROCUREMENT SPECIFICATION MIL-F-16377	SUPERSEDES.	DWG. 9000-S6401-74492	SHEET 4 OF 15

FED. SUP CLASS
6230

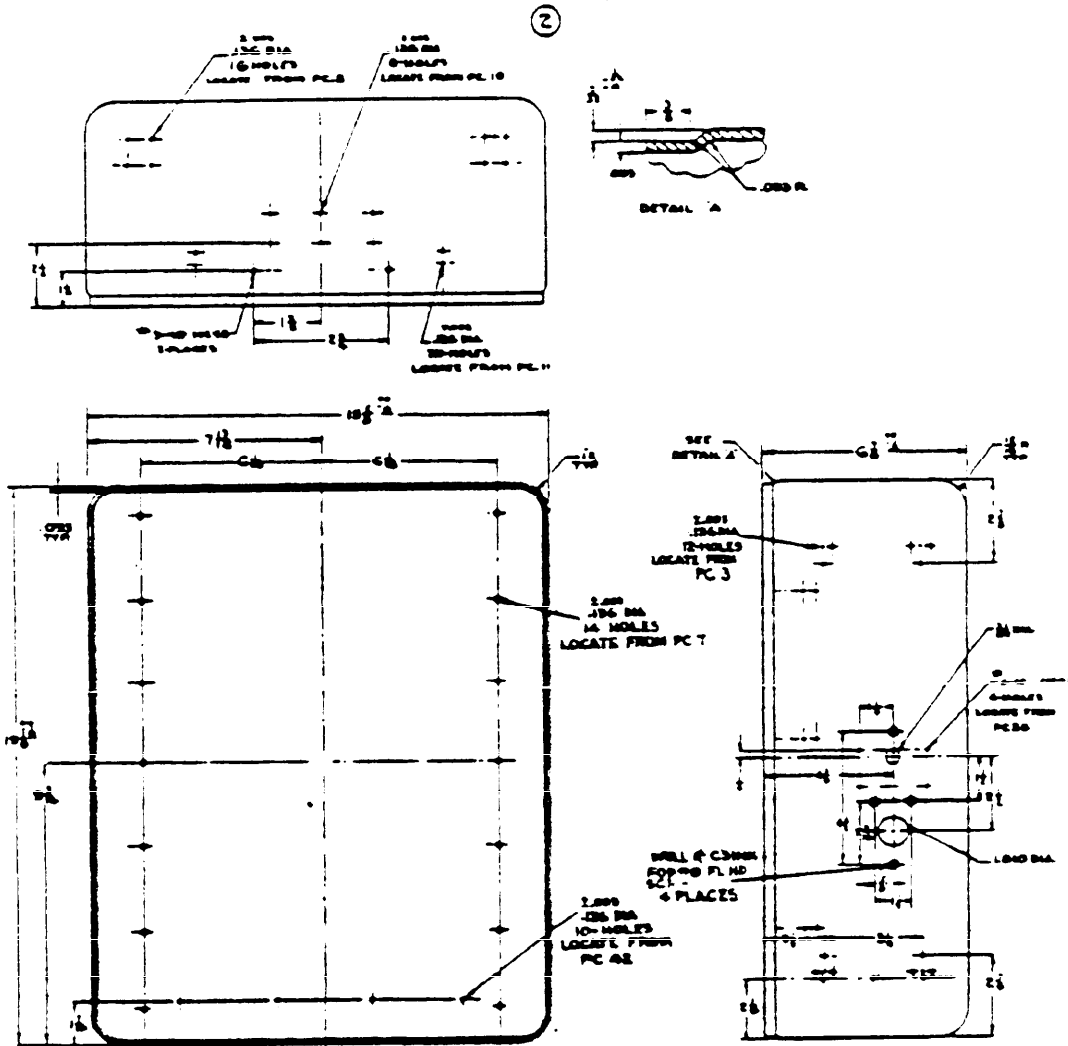


This military standard is approved for use by the Naval Sea Systems Command, Department of the Navy and is available for use by all Departments and Agencies of the Department of Defense.

APPROVED 18 JUN 1962 REVISED (A) 7 AUG 1987 (B) 15 JUN 1988

AMBC N/A
DISTRIBUTION STATEMENT A Approved for public release; distribution unlimited

P. A. SH Other Cost	INTERNATIONAL INTEREST	TITLE LIGHT, STATION MARKING BOX, SP SYM. NO. 285 FOR NIGHT REPLENISHMENT OPERATIONS	MILITARY STANDARD MS 17287B(SH)
PROCUREMENT SPECIFICATION MIL-F-16377	SUPERSEDES: DWG. 9000-S6401-74492		SHEET 5 OF 15



This military standard is approved for use by the Naval Sea Systems Command, Department of the Navy and is available for use by all Departments and Agencies of the Department of Defense.

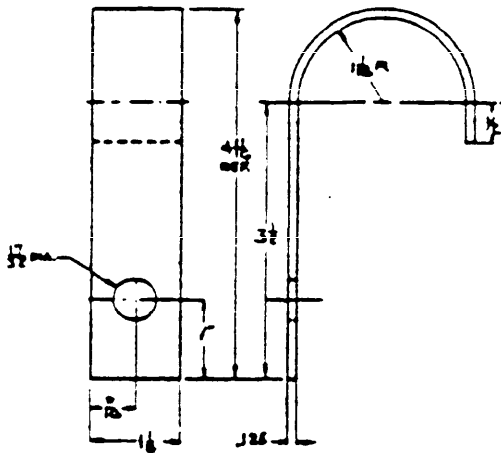
AMSC N/A
DISTRIBUTION STATEMENT A Approved for public release; distribution unlimited

P. A. SH Other Cost	INTERNATIONAL INTEREST	TITLE LIGHT, STATION MARKING BOX, SP SYM. NO. 285 FOR NIGHT REPLENISHMENT OPERATIONS	MILITARY STANDARD
			MS 17287B(SH)
PROCUREMENT SPECIFICATION MIL-F-16377	SUPERSEDES DWG. 9000-S6401-74492	SHEET 6	OF 15

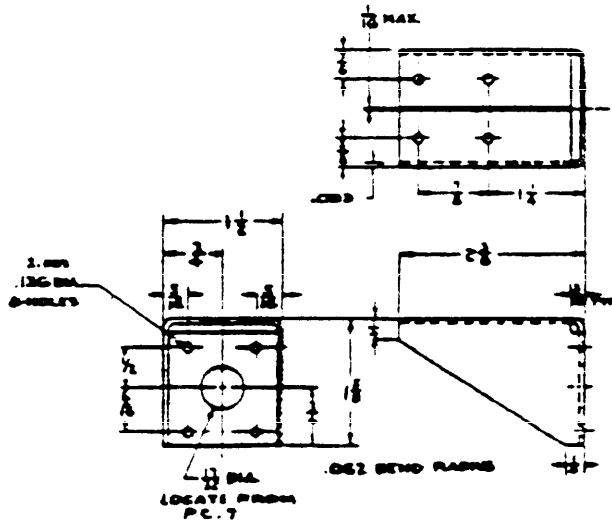
APPROVED 18 JUN 1962 REVISED (A) 7 AUG 1987 (B) 15 JUN 1988

FED. SUP CLASS
6230

6



8



This military standard is approved for use by the Naval Sea Systems Command, Department of the Navy and is available for use by all Departments and Agencies of the Department of Defense.

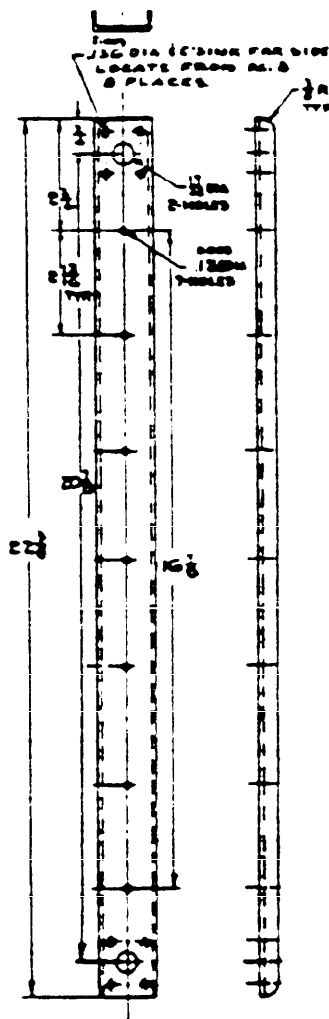
APPROVED 18 JUN 1962 REVISED (A) 7 AUG 1987 (B) 15 JUN 1988

AMSC N/A
DISTRIBUTION STATEMENT A Approved for public release; distribution unlimited

P. A. SH Other Cost	INTERNATIONAL INTEREST	TITLE LIGHT, STATION MARKING BOX, SP SYM. NO. 285 FOR NIGHT REPLENISHMENT OPERATIONS	MILITARY STANDARD	
			MS 17287B(SH)	
PROCUREMENT SPECIFICATION MIL-F-16377	SUPERSEDES: DWG. 9000-S6401-74492	SHEET 7 OF 15		

FED. SUP CLASS
6230

7

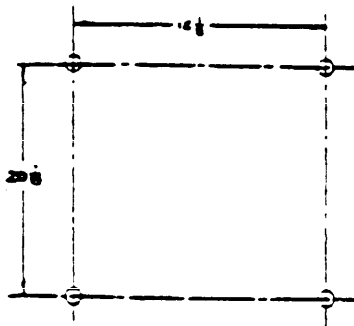


This military standard is approved for use by the Naval Sea Systems Command, Department of the Navy and is available for use by all Departments and Agencies of the Department of Defense

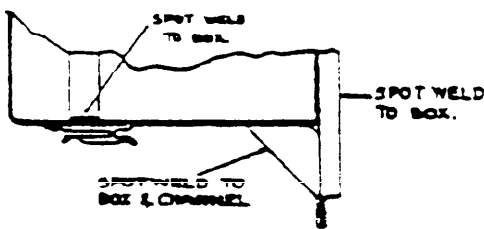
AMSC N/A
DISTRIBUTION STATEMENT A Approved for public release; distribution unlimited

P. A. SH Other Cast	INTERNATIONAL INTEREST	TITLE LIGHT, STATION MARKING BOX, SP SYM. NO. 285 FOR NIGHT REPLENISHMENT OPERATIONS	MILITARY STANDARD	
			MS 17287B(SH)	
PROCUREMENT SPECIFICATION MIL-F-16377	SUPERSEDES:	DWG. 9000-S6401-74492	SHEET	8 OF 15

APPROVED 18 JUN 1962 REVISED (A) 7 AUG 1987 (B) 15 JUN 1988



Mounting dimensions
Mounting bolts shall
be 1/2-13 UNC HEAD

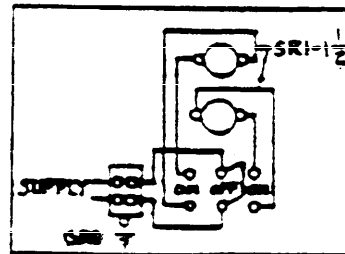


ALTERNATE DETAIL

14
THE SIZE OF THE PLATE AND THE DISTANCE
ENTERED SHALL BE ACCORDANCE WITH THE
REQUIREMENTS FOR LABEL, TYPE I OF MIL-P-15377.



27



WIRING DIAGRAM

This military standard is approved for use by the Naval Sea Systems Command, Department of the Navy and is available for use by all Departments and Agencies of the Department of Defense.

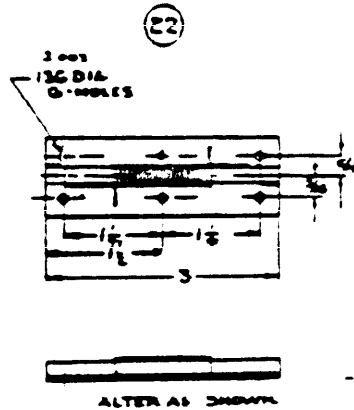
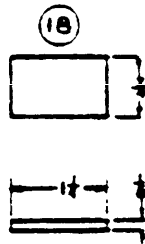
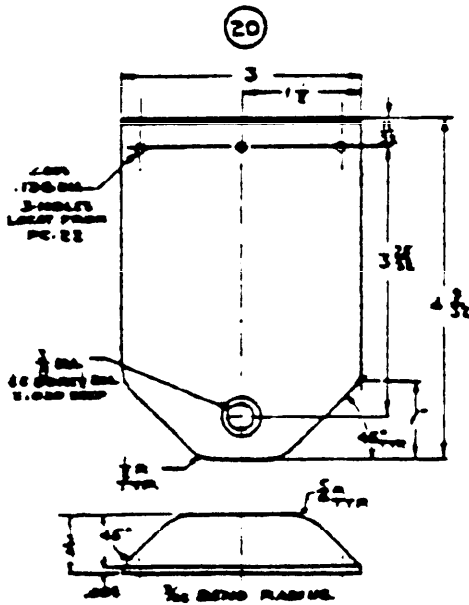
APPROVED 18 JUN 1962 REVISED (A) 7 AUG 1987 (B) 15 JUN 1988

AMSC N/A

DISTRIBUTION STATEMENT A Approved for public release; distribution unlimited

P. A. SH Other Cont.	INTERNATIONAL INTEREST	TITLE LIGHT, STATION MARKING BOX, SP SYM. NO. 285 FOR NIGHT REPLENISHMENT OPERATIONS	MILITARY STANDARD
			MS 17287B(SH)
PROCUREMENT SPECIFICATION MIL-F-16377	SUPERSEDES:	DWG. 9000-S6401-74492	SHEET 9 OF 15

FED. SUP CLASS
6230



This military standard is approved for use by the Naval Sea Systems Command, Department of the Navy and is available for use by all Departments and Agencies of the Department of Defense.

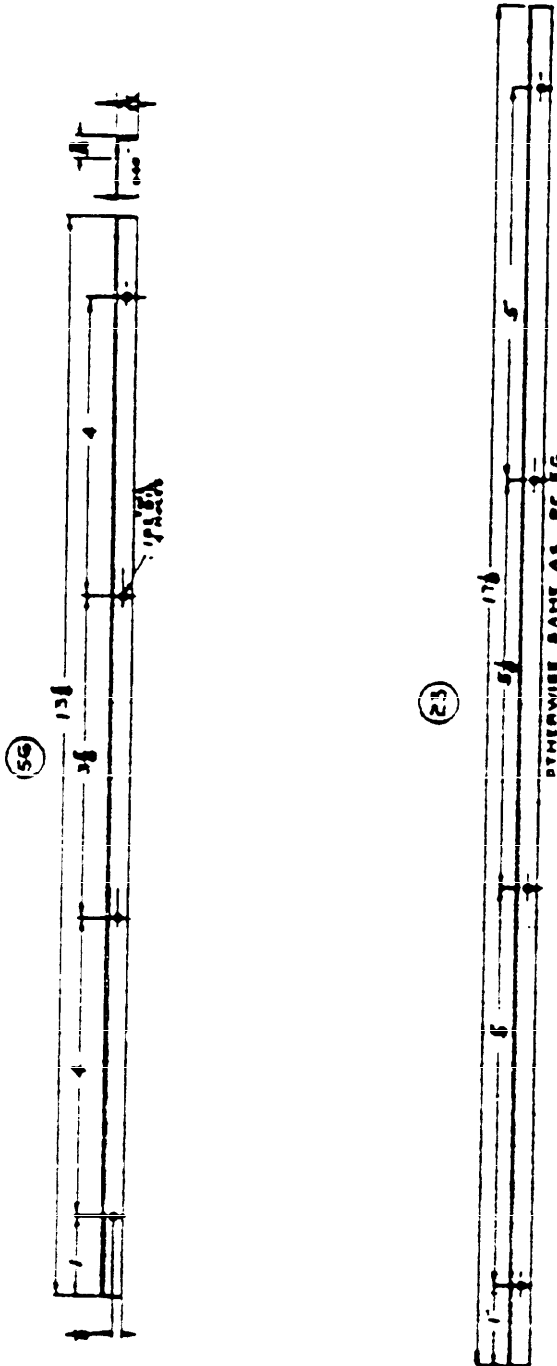
APPROVED 18 JUN 1962 REVISED (A) 7 AUG 1987 (B) 15 JUN 1988

AMSC N/A
DISTRIBUTION STATEMENT A Approved for public release; distribution unlimited

P. A. SH Other Cost	INTERNATIONAL INTEREST	TITLE LIGHT, STATION MARKING BOX, SP SYM. NO. 285 FOR NIGHT REPLENISHMENT OPERATIONS	MILITARY STANDARD	
			MS 17287B(SH)	
PROCUREMENT SPECIFICATION MIL-F-16377	SUPERSEDES: DWG. 9000-S6401-74492	SHEET 10 OF 15		

FED. SUP CLASS
6230

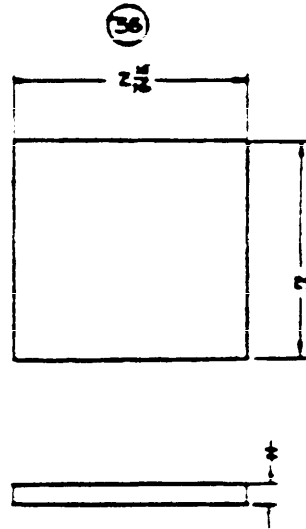
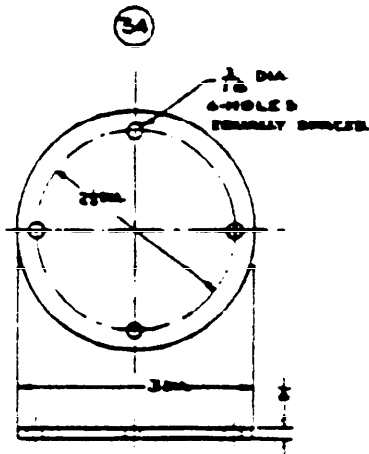
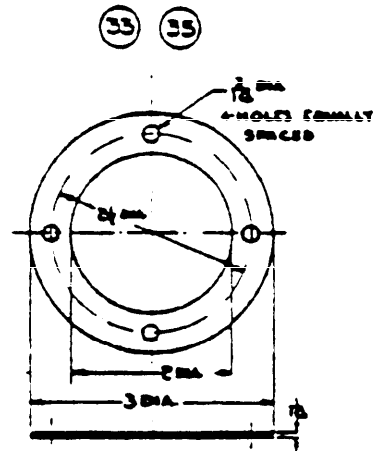
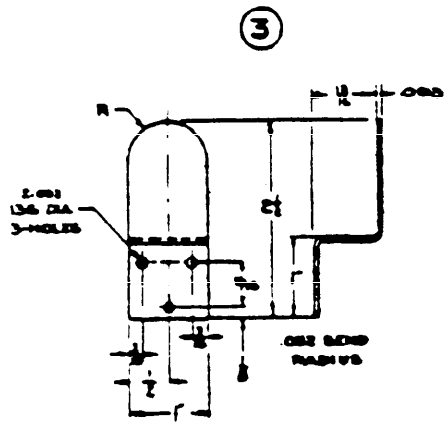
This military standard is approved for use by the Naval Sea Systems Command, Department of the Navy and is available for use by all Departments and Agencies of the Department of Defense.



APPROVED 18 JUN 1962 REVISED (A) 7 AUG 1987 (B) 15 JUN 1988

AMSC N/A
DISTRIBUTION STATEMENT A Approved for public release; distribution unlimited

P. A. SH Other Cont.	INTERNATIONAL INTEREST	TITLE LIGHT, STATION MARKING BOX, SP SYM. NO. 285 FOR NIGHT REPLENISHMENT OPERATIONS	MILITARY STANDARD	
			MS 17287B(SH)	
PROCUREMENT SPECIFICATION MIL-F-16377	SUPERSEDES	DWG. 9000-S6401-74492	SHEET	11 OF 15



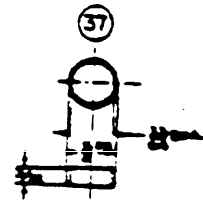
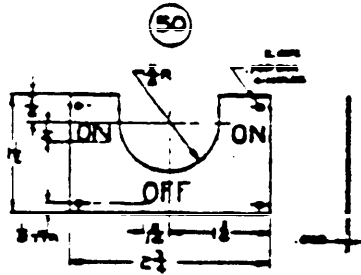
This military standard is approved for use by the Naval Sea Systems Command, Department of the Navy and is available for use by all Departments and Agencies of the Department of Defense.

APPROVED 18 JUN 1962 REVISED (A) 7 AUG 1987 (B) 15 JUN 1988

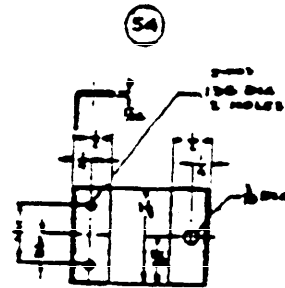
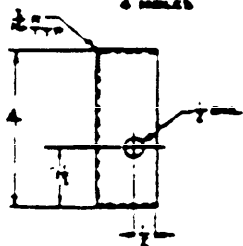
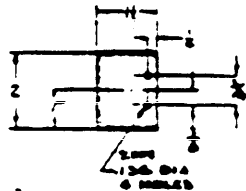
AMSC N/A
DISTRIBUTION STATEMENT A Approved for public release; distribution unlimited

P. A. SH Other Cost	INTERNATIONAL INTEREST	TITLE LIGHT, STATION MARKING BOX, SP SYM. NO. 285 FOR NIGHT REPLENISHMENT OPERATIONS	MILITARY STANDARD
			MS 17287B(SH)
PROCUREMENT SPECIFICATION MIL-F-16377	SUPERSEDES:	DWG. 9000-S6401-74492	SHEET 12 OF 15

FED. SUP CLASS
6230



35 - SEE TITLE



This military standard is approved for use by the Naval Sea Systems Command, Department of the Navy and is available for use by all Departments and Agencies of the Department of Defense.

AMSC N/A

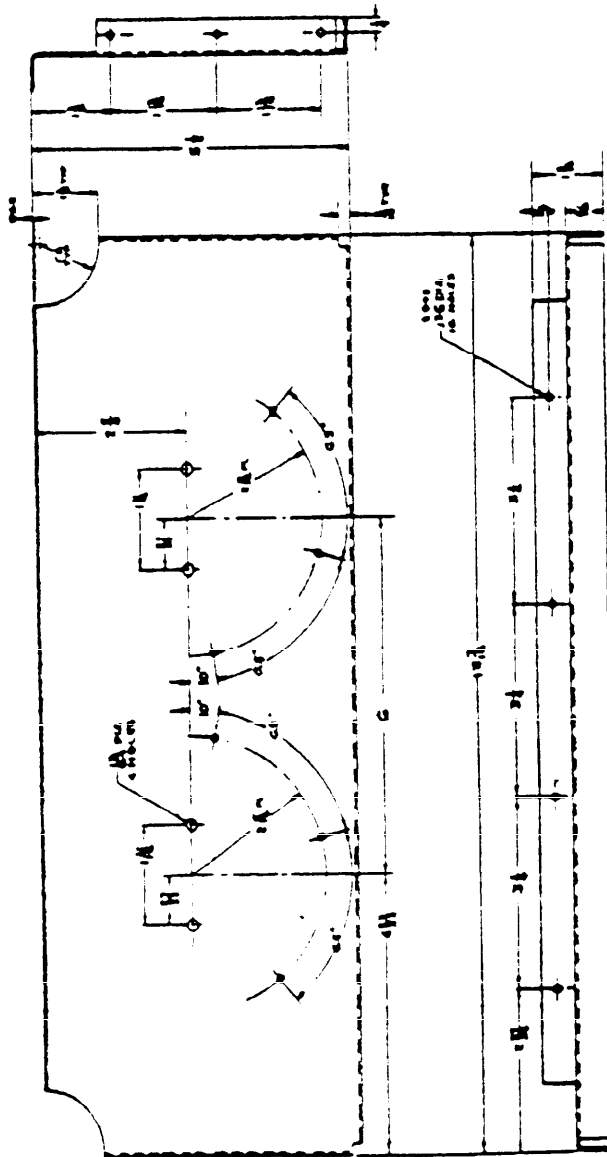
DISTRIBUTION STATEMENT A Approved for public release; distribution unlimited

P. A. SH Other Cost	INTERNATIONAL INTEREST	TITLE LIGHT, STATION MARKING BOX, SP SYM. NO. 285 FOR NIGHT REPLENISHMENT OPERATIONS	MILITARY STANDARD	
			MS 17287B(SH)	
PROCUREMENT SPECIFICATION MIL-F-16377	SUPERSEDES: DWG. 9000-S6401-74492	SHEET 13 OF 15		

APPROVED 18 JUN 1962 REVISED (A) 7 AUG 1987 (B) 15 JUN 1988

This military standard is approved for use by the Naval Sea Systems Command, Department of the Navy and is available for use by all Departments and Agencies of the Department of Defense.

41

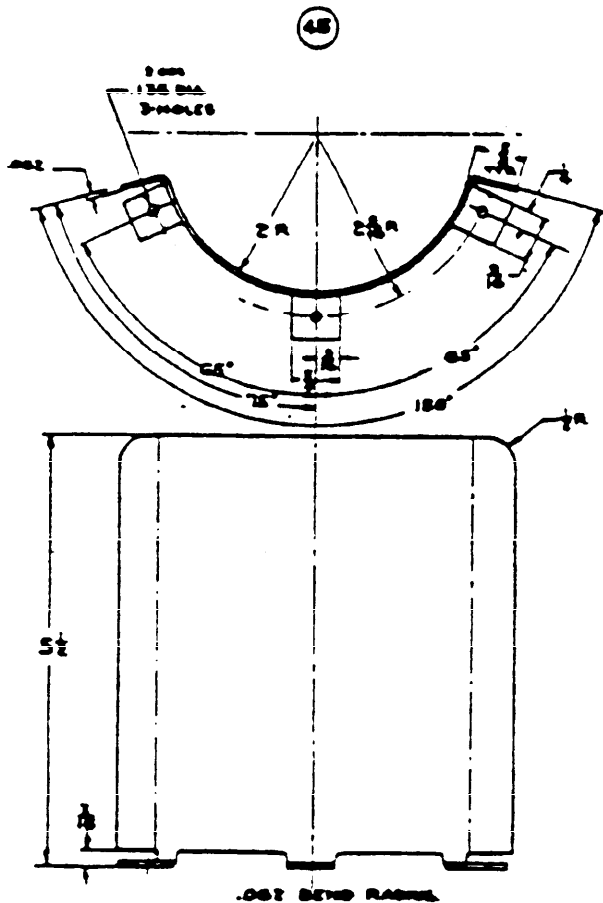


APPROVED 18 JUN 1962 REVISED (A) 7 AUG 1987 (B) 15 JUN 1988

AMSC N/A
DISTRIBUTION STATEMENT A Approved for public release; distribution unlimited

P. A. SH Other Cost	INTERNATIONAL INTEREST	TITLE LIGHT, STATION MARKING BOX, SP SYM. NO. 285 FOR NIGHT REPLENISHMENT OPERATIONS	MILITARY STANDARD	
			MS 17287B(SH)	
PROCUREMENT SPECIFICATION MIL-F-16377	SUPERSEDES:	DWG. 9000-S6401-74492	SHEET 14	OF 15

FED. SUP CLASS
6230



This military standard is approved for use by the Naval Sea Systems Command, Department of the Navy and is available for use by all Departments and Agencies of the Department of Defense.

APPROVED 18 JUN 1962 REVISED (A) 7 AUG 1987 (B) 15 JUN 1988

AMSC N/A
DISTRIBUTION STATEMENT A Approved for public release; distribution unlimited

P. A. SH Other Cost	INTERNATIONAL INTEREST	TITLE LIGHT, STATION MARKING BOX, SP SYM. NO. 285 FOR NIGHT REPLENISHMENT OPERATIONS	MILITARY STANDARD	
			MS 17287B(SH)	
PROCUREMENT SPECIFICATION MIL-F-16377	SUPERSEDES:	DWG. 9000-S6401-74492	SHEET 15	OF 15