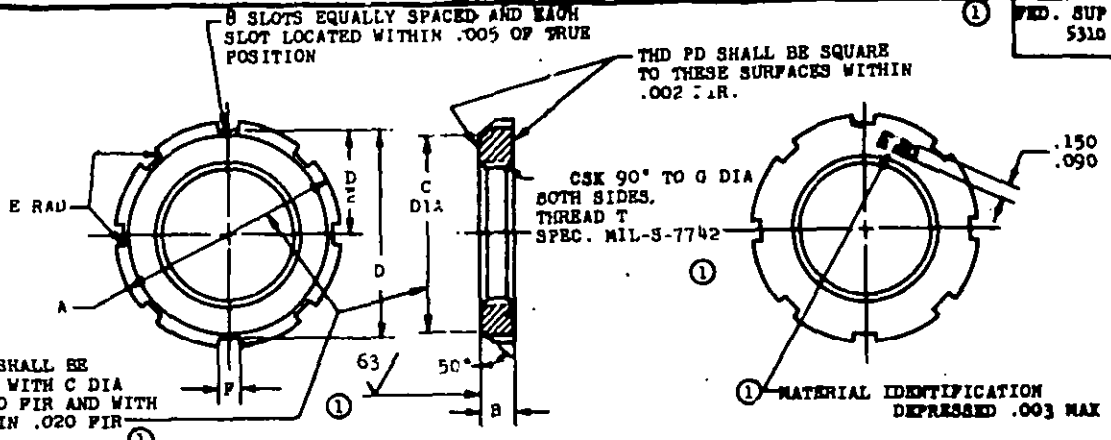


MS 172321 (ASG)
THRU
MS 172370



PKD. SUP. CLASS
5310

NOTES: This Government drawing, specifications, or other data are used for any purpose other than in connection with a deficiency reported by a contractor, the Government shall not be responsible for any damage or other loss in any way caused by the use of this drawing, specification, or other data in any way not intended by the Government. The Government shall not be responsible for any damage or other loss in any way caused by the use of this drawing, specification, or other data in any way not intended by the Government.

THREAD T	A +.005 -.015	B	C +.000 -.020	D	E	F	G	EST WT LB	PART NO.
.500 -23UNEF -3B	1.047	.188	.859	.922	.010	.120-.130	.510	.030	MS172321
.5625 -24NEF -3B	1.109	.219	.922	.984	.010	.120-.130	.572	.039	MS172322
.625 -24NEF -3B	1.172	.219	.934	1.047	.010	.120-.130	.635	.042	MS172323
.6875 -24NEF -3B	1.312	.219	1.125	1.188	.010	.120-.130	.698	.054	MS172324
.750 -20UNEF -3B	1.391	.250	1.203	1.266	.015	.178-.198	.760	.068	MS172325
.8125 -20UNEF -3B	1.469	.250	1.281	1.344	.015	.178-.198	.822	.075	MS172326
.875 -20UNEF -3B	1.531	.250	1.344	1.406	.015	.178-.198	.885	.079	MS172327
.9375 -20UNEF -3B	1.594	.250	1.406	1.469	.015	.178-.198	.948	.084	MS172328
1.000 -20UNEF -3B	1.719	.281	1.469	1.531	.015	.178-.198	1.010	.105	MS172329
1.0625 -13NEF -3B	1.812	.281	1.562	1.625	.015	.178-.198	1.072	.117	MS172330
1.125 -19NEF -3B	1.875	.231	1.625	1.688	.015	.178-.198	1.135	.123	MS172331
1.1875 -13NEF -3B	1.938	.231	1.688	1.750	.015	.178-.198	1.198	.129	MS172332
1.250 -13NEF -3B	2.000	.231	1.750	1.812	.015	.178-.198	1.260	.134	MS172333
1.3125 -19NEF -3B	2.062	.281	1.812	1.875	.015	.178-.198	1.322	.140	MS172334
1.375 -16NEF -3B	2.125	.281	1.875	1.938	.015	.178-.198	1.385	.146	MS172335
1.4375 -13NEF -3B	2.188	.231	1.938	2.000	.020	.240-.260	1.448	.149	MS172336
1.500 -18NEF -3B	2.250	.231	2.000	2.062	.020	.240-.260	1.510	.154	MS172337
1.5625 -19NEF -3B	2.312	.231	2.062	2.125	.020	.240-.260	1.572	.160	MS172338
1.625 -18NEF -3B	2.375	.312	2.125	2.188	.020	.240-.260	1.635	.186	MS172339
1.6875 -18NEF -3B	2.438	.312	2.188	2.250	.020	.240-.260	1.698	.192	MS172340
1.750 -16UN -3B	2.531	.312	2.281	2.344	.020	.240-.260	1.760	.210	MS172341
1.8125 -16N -3B	2.594	.312	2.344	2.406	.020	.240-.260	1.822	.216	MS172342
1.875 -16N -3B	2.656	.312	2.406	2.469	.020	.240-.260	1.885	.223	MS172343
1.9375 -16N -3B	2.719	.312	2.469	2.531	.020	.240-.260	1.948	.230	MS172344
2.000 -16UN -3B	2.781	.312	2.531	2.594	.020	.240-.260	2.010	.236	MS172345
2.0625 -16N -3B	2.844	.312	2.594	2.656	.020	.240-.260	2.072	.243	MS172346
2.125 -16N -3B	2.906	.312	2.656	2.719	.020	.240-.260	2.135	.249	MS172347
2.1875 -16N -3B	2.969	.312	2.719	2.781	.020	.240-.260	2.198	.256	MS172348
2.250 -16UN -3B	3.031	.312	2.781	2.844	.020	.240-.260	2.260	.263	MS172349
2.3125 -16N -3B	3.094	.312	2.844	2.906	.020	.240-.260	2.322	.269	MS172350
2.375 -16N -3B	3.156	.312	2.906	2.969	.020	.240-.260	2.385	.276	MS172351
2.4375 -16N -3B	3.219	.312	2.969	3.031	.020	.240-.260	2.448	.283	MS172352
2.500 -16UN -3B	3.281	.312	3.031	3.094	.020	.240-.260	2.510	.289	MS172353

- ① MATERIAL: STEEL AMS 6381 OR AMS 6382 (AMS 6382: STEEL MATERIAL DOBE TELL; NOT BE USED UNTIL 1 JAN 60)
HARDNESS: ROCKWELL C26-32. HARDEN (OIL-QUENCH) AND TEMPER.
FINISH: PHOSPHATE TREATMENT AMS 2481
- ② SURFACE ROUGHNESS: AS291 UNLESS OTHERWISE SPECIFIED SURFACES TO BE $\sqrt{125}$ MICRO INCHES.
PARTS SUBJECT TO MAGNETIC PARTICLE INSPECTION PER AMS 2640.
BREAK SHARP EDGES .003-.015 UNLESS OTHERWISE SPECIFIED.
DIMENSIONS IN INCHES. UNLESS OTHERWISE SPECIFIED: TOLERANCES; LINEAR DIMENSIONS $\pm .010$,
ANGULAR DIMENSIONS $\pm 2^\circ$.
DO NOT USE UNASSIGNED PART NUMBERS.

THIS DOCUMENT HAS BEEN PROMULGATED BY THE DEPARTMENT OF DEFENSE AS THE MILITARY STANDARD TO LIMIT THE SELECTION OF THE ITEM, PRODUCT, OR DESIGN COVERED HEREIN IN ENGINEERING, DESIGN, AND PROCUREMENT. THIS STANDARD SHALL BECOME EFFECTIVE NOT LATER THAN 90 DAYS AFTER THE LATEST DATE OF APPROVAL SHOWN.

THIS STANDARD WAS DEVELOPED COOPERATIVELY WITH THE ENGINE AND PROPELLER UTILITY PARTS COMMITTEE OF THE SAE.

CUSTODIAN Navy - BuAer Air Force	MILITARY STANDARD		MS 172321 THRU MS 172370 (ASG)
	NUT - SPANNER, AERONAUTICAL		MS 172370
PROCUREMENT SPECIFICATION None			SHEET 1 OF 1

APPROVED 30 JAN 59 REVISED 130 Dec 57