

INCH-POUND

MS16624D
w/AMENDMENT 1
14 March 2012
SUPERSEDING
MS16624D
10 January 2012

DETAIL SPECIFICATION SHEET

RING, RETAINING, EXTERNAL, BASIC
(TAPERED SECTION TYPE)

This specification is approved for use by all Departments and Agencies of the Department of Defense.

The requirements for acquiring the product described herein shall consist of this specification sheet and procurement specification MIL-R-21248.

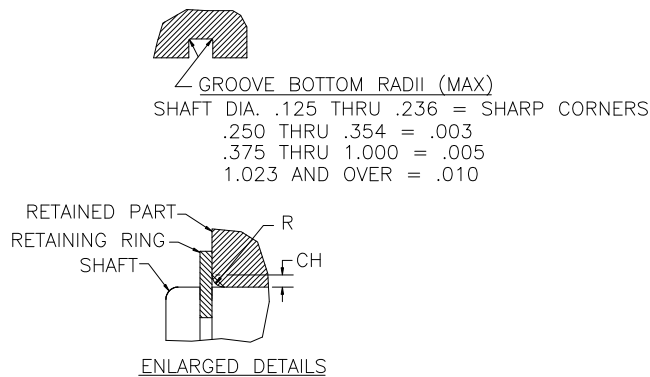
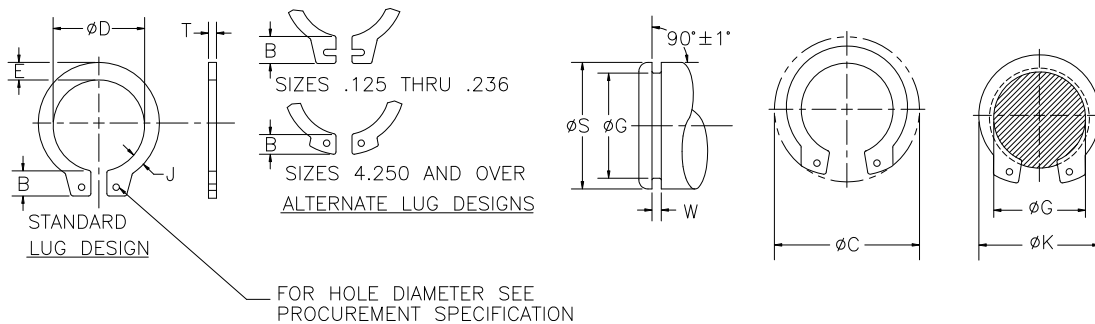


FIGURE 1. RING, RETAINING.

TABLE 1 DIMENSIONS.

ØS SHAFT (REF)		ØD FREE		B LUG HEIGHT		E LARGE HEIGHT		J SMALL SECTION HEIGHT		T 1/ THICKNESS		ØG RECOMMENDED GROOVE (REF)		W WIDTH GROOVE (REF)		ØK 3/	ØC 4/ CLEAR	R 5/ OF RETAINED PART (REF)	CH 5/ (REF)
INCH	MM	BASIC	TOL	BASIC	TOL	BASIC	TOL	BASIC	TOL	BASIC	TOL	BASIC	TOL	BASIC	TOL	MAX		MAX	MAX
.125	3.2	.112		.046		.018	±.0015	.011	±.0015	.010	±.001	.117		.012		.148	.222	.010	.006
.156	4.0	.142		.054		.026		.016		.010		.146		.012		.189	.270	.015	.009
.188	4.8	.168		.050		.025		.016		.015		.175	± 0015	.018	+ .002 - .000	.218	.298	.014	.008
.197	5.0	.179	+ .002 - .004	.056	±.002	.026	± 002	.016	±.002	.015		.185	.0015	.018		.229	.319	.014	.009
.219	5.6	.196		.056		.028		.017		.015		.205	FIM 2/	.018		.252	.338	.015	.009
.236	6.0	.215		.056		.030		.019		.015		.222		.018		.272	.355	.016	.010
.250	6.4	.225		.080		.035		.025		.025		.230		.030		.290	.450	.018	.011
.276	7.0	.250		.081		.035		.024		.025		.255		.030		.315	.480	.017	.010
.281	7.1	.256		.080		.038		.025		.025		.261		.030		.326	.490	.020	.012
.312	7.9	.281		.087		.040		.026		.025		.290		.030		.357	.540	.020	.012
.344	8.7	.309		.087		.042	±.003	.026	±.003	.025		.321	± 002	.030		.390	.570	.021	.012
.354	9.0	.320	+ .002 - .005	.087		.046		.029		.025	±.002	.330	.002	.030		.405	.590	.023	.014
.375	9.5	.338		.088		.050		.030		.025		.352	FIM 2/	.030		.433	.610	.026	.015
.394	10.0	.354		.087	±.003	.052		.031		.025		.369		.030	+ .003 - .000	.452	.620	.027	.016
.406	10.3	.366		.087		.054		.033		.025		.382		.030		.468	.630	.028	.017
.438	11.1	.395		.088		.055		.033		.025		.412		.030		.501	.660	.029	.017
.469	11.9	.428		.088		.060		.035		.025		.443		.030		.540	.680	.031	.018
.500	12.7	.461		.108		.065		.040		.035		.468	± 002	.040		.574	.770	.034	.020
.551	14.0	.509		.108		.053		.036		.035		.519	.004	.040		.611	.810	.027	.016
.562	14.3	.521		.108		.072	± 004	.041	±.004	.035		.530	FIM 2/	.040		.644	.820	.038	.023
.594	15.1	.550	+ .005 - .010	.109		.076		.043		.035		.559		.040		.680	.860	.039	.023
.625	15.9	.579		.110		.080		.045		.035		.588	± 003	.040		.715	.900	.041	.025
.669	17.0	.621		.110		.082		.043		.035		.629	.004	.040		.756	.930	.040	.024
.672	17.1	.621		.110		.082		.043		.035		.631	FIM 2/	.040		.758	.930	.040	.024

2

MS16624D
w/AMENDMENT 1

TABLE 1. DIMENSIONS - Continued

ØS SHAFT (REF)		ØD FREE		B LUG HEIGHT		E LARGE HEIGHT		J SMALL SECTION HEIGHT		T 1/ THICKNESS		ØG RECOMMENDED		W WIDTH GROOVE (REF)		ØK 3/ 4/ CLEAR	ØC 4/ CLEAR	R 5/ OF RETAINED PART (REF)	CH 5/ (REF)
INCH	MM	BASIC	TOL	BASIC	TOL	BASIC	TOL	BASIC	TOL	BASIC	TOL	BASIC	TOL	BASIC	TOL	MAX		MAX	MAX
.688	17.5	.635		.136		.084		.048		.042		.646		.047		.779	1.010	.042	.025
.750	19.0	.693		.136		.092		.051		.042		.704		.047		.850	1.090	.046	.027
.781	19.8	.722		.136		.094		.052		.042		.733	±.003	.047		.883	1.120	.047	.028
.812	20.6	.751	+0.005	.136		.096	±.005	.054	±.005	.042		.762		.047	+0.003	.914	1.150	.047	.028
.875	22.2	.810	-0.010	.137		.104		.057		.042		.821	.004	.047	-0.000	.987	1.210	.051	.030
.938	23.8	.867		.166		.110		.063		.042		.882	FIM 2/	.047		1.054	1.340	.055	.033
.984	25.0	.910		.167		.114		.064		.042		.926		.047		1.106	1.390	.056	.033
1.000	25.4	.925		.167		.116		.065		.042	±.002	.940		.047		1.122	1.410	.057	.034
1.023	26.0	.946		.168		.118		.066		.042		.961		.047		1.147	1.430	.058	.035
1.062	27.0	.982		.181		.122		.069		.050		.998		.056		1.192	1.500	.060	.036
1.125	28.6	1.041		.182		.128		.071		.050		1.059		.056		1.261	1.550	.063	.038
1.188	30.2	1.098		.182		.132		.072		.050		1.118	±.004	.056		1.325	1.610	.064	.038
1.250	31.7	1.156	+0.010	.183	±.004	.140		.076		.050		1.176	.005	.056		1.396	1.690	.068	.041
1.312	33.3	1.214	-0.015	.183		.146		.076		.050		1.232	FIM 2/	.056		1.458	1.750	.068	.041
1.375	34.9	1.272		.184		.152		.082		.050		1.291		.056		1.529	1.800	.072	.043
1.438	36.5	1.333		.184		.160		.086		.050		1.350		.056	+0.004	1.600	1.870	.076	.045
1.500	38.1	1.387		.214		.168	±.006	.091	±.006	.050		1.406		.056	-0.000	1.668	1.990	.079	.047
1.562	39.7	1.446		.235		.172		.093		.062		1.468		.068		1.740	2.100	.082	.049
1.625	41.3	1.503		.235		.180		.097		.062		1.529		.068		1.812	2.170	.087	.052
1.688	42.9	1.560		.235		.184		.099		.062		1.589	±.005	.068		1.877	2.240	.090	.054
1.750	44.4	1.618	+0.013	.237	-0.020	.188		.101		.062		1.650		.068		1.945	2.310	.091	.054
1.772	45.0	1.637		.237		.190		.102		.062		1.669	FIM 2/	.068		1.967	2.330	.092	.055
1.812	46.0	1.675		.238		.192		.102		.062		1.708		.068		2.010	2.380	.092	.055
1.875	47.6	1.735		.239		.196		.104		.062		1.769		.068		2.076	2.440	.094	.056
1.969	50.0	1.819		.245		.200		.106		.062		1.857		.068		2.170	2.540	.094	.056
2.000	50.8	1.850		.239		.204		.108		.062		1.886		.068		2.205	2.550	.096	.057
2.062	52.4	1.906		.266		.208		.111		.078		1.946		.086		2.275	2.680	.098	.059
2.125	54.0	1.964		.266		.212		.113		.078	±.003	2.003		.086		2.337	2.750	.098	.059
2.156	54.8	1.993		.266		.212		.113		.078		2.032		.086		2.366	2.780	.097	.058
2.250	57.1	2.081	+0.015	.267	-0.025	.220		.116		.078		2.120		.086		2.466	2.870	.100	.060
2.312	58.7	2.139		.267		.222		.118		.078		2.178	±.006	.086		2.528	2.940	.100	.060
2.375	60.3	2.197		.267		.224		.119		.078		2.239		.086	+0.005	2.591	3.010	.100	.060
2.438	61.9	2.255		.268	±.005	.228	±.007	.120	±.007	.078		2.299	.006	.086	-0.000	2.657	3.070	.102	.061
2.500	63.5	2.313		.268		.232		.122		.078		2.360	FIM 2/	.086		2.724	3.120	.104	.062
2.559	65.0	2.377		.268		.238		.125		.078		2.419		.086		2.792	3.180	.108	.065
2.625	66.7	2.428		.268		.242		.127		.078		2.481		.086		2.860	3.250	.109	.066
2.688	68.3	2.485	+0.020	.268		.246		.129		.078		2.541		.086		2.926	3.320	.111	.067
2.750	69.8	2.543	-0.030	.310		.248		.131		.093		2.602		.103		2.992	3.450	.112	.069
2.875	73.0	2.659		.308		.256		.133		.093		2.721		.103		3.122	3.570	.115	.069

TABLE 1. DIMENSIONS - Continued

ØS SHAFT (REF)		ØD FREE		B LUG HEIGHT		E LARGE HEIGHT		J SMALL SECTION HEIGHT		T 1/ THICKNESS		ØG RECOMMENDED GROOVE (REF)		W WIDTH		ØK 3/	ØC 4/ CLEAR	R 5/ OF RETAINED PART (REF)	CH 5/ MAX
INCH	MM	BASIC	TOL	BASIC	TOL	BASIC	TOL	BASIC	TOL	BASIC	TOL	BASIC	TOL	BASIC	TOL	MAX		MAX	MAX
2.938	74.6	2.717		.308		.260	±.007	.136	±.007	.093		2.779		.103		3.187	3.640	.116	.070
3.000	76.2	2.775		.308		.264		.138		.093		2.838		.103		3.252	3.690	.117	.070
3.062	77.8	2.832		.298		.252		.131		.093		2.898		.103		3.294	3.740	.107	.064
3.125	79.4	2.892		.308		.272		.141		.093		2.957		.103		3.383	3.820	.120	.072
3.156	80.2	2.920		.308		.274		.143		.093		2.986		.103		3.415	3.850	.120	.072
3.250	82.0	3.006		.308	±.005	.280	±.008	.145		.093		3.076		.103		3.515	3.950	.123	.074
3.346	85.0	3.092		.308		.286		.147		.093		3.166		.103		3.613	4.040	.126	.076
3.438	87.3	3.179	+ .020	.308		.292		.148	±.008	.093		3.257		.103		3.712	4.140	.129	.077
3.500	88.9	3.237	- .030	.328		.285		.148		.109		3.316		.120		3.764	4.250	.122	.073
3.543	90.0	3.237		.328		.288		.149		.109	±.003	3.357		.120	+ .005	3.809	4.290	.123	.074
3.625	92.0	3.352		.328		.296		.153		.109		3.435		.120	- .000	3.898	4.370	.127	.076
3.688	93.7	3.410		.330		.302		.156		.109		3.493	FIM 2/	.120		3.966	4.430	.129	.078
3.750	95.2	3.468		.332		.310		.160		.109		3.552		.120		4.037	4.500	.133	.080
3.875	98.4	3.584		.330		.318		.163		.109		3.673		.120		4.169	4.600	.137	.082
3.938	100.0	3.642		.342		.318		.163		.109		3.734		.120		4.230	4.700	.137	.082
4.000	101.6	3.700		.352		.318		.163		.109		3.792		.120		4.288	4.780	.135	.081
4.250	108.0	3.989		.395		.318		.176		.109		4.065		.120		4.558	5.090	.146	.088
4.375	111.1	4.106		.395		.318		.181		.109		4.190		.120		4.683	5.220	.146	.088
4.500	114.3	4.223		.404		.285		.128		.109		4.310		.120		4.730	5.370	.102	.061
4.750	120.6	4.458		.429		.303		.136		.109		4.550		.120		4.996	5.670	.115	.069
5.000	127.0	4.692		.450	±.008	.360	±.010	.194	±.010	.109		4.790		.120		5.346	5.960	.165	.099
5.250	133.3	4.927		.472		.372		.211		.125		5.030	±.007	.139	+ .006	5.605	6.270	.169	.101
5.500	139.7	5.162	+ .020	.497		.390		.209		.125	±.004	5.265		.139	- .000	5.867	6.570	.175	.105
5.750	146.0	5.396	- .040	.518		.408		.220		.125		5.505	.006 FIM 2/	.139		6.134	6.860	.184	.110
6.000	152.4	5.631		.540		.381		.171		.125		5.745		.139		6.302	7.160	.143	.086
6.250	158.7	5.866		.561		.396		.176		.156		5.985		.174		6.568	7.460	.148	.089
6.500	165.1	6.100	+ .020 - .050	.586		.438		.236		.156		6.225		.174		6.905	7.870	.191	.114
6.750	171.4	6.335		.608		.456		.246		.156		6.465	±.008	.174	+ .008	7.172	8.060	.200	.120
7.000	177.8	6.570		.530		.474		.256		.156		6.705		.174	- .000	7.439	8.360	.208	.125
7.500	190.5	7.009		.676	±.012	.507	±.015	.277	±.007	.187	±.005	7.180	.006 FIM 2/	.209		7.963	8.960	.220	.132
8.000	203.2	7.478		.735		.540		.294		.187		7.660		.209		8.493	9.600	.235	.141
8.500	215.9	7.947	+ .050	.735		.573		.314		.187		8.140		.209		9.023	10.100	.250	.150
9.000	228.6	8.415	- .130	.735		.609		.333		.187		8.620		.209		9.557	10.600	.267	.160
9.500	241.3	8.885		.735		.642		.350		.187		9.100		.209		10.086	11.100	.281	.168
10.00	254.0	9.355		.735		.675		.367		.187		9.575		.209		10.610	11.600	.294	.176

1/ T - THICKNESS "T" APPLIES TO UNPLATED RINGS. FOR CORROSION RESISTANT STEEL AND PLATED RINGS, +.002 SHOULD BE ADDED TO THE MAXIMUM TOLERANCE, I.E. ±.002 SHOULD BE +.004/- .002.

2/ FIM - (FULL INDICATOR MOVEMENT) IS THE MAXIMUM ALLOWABLE DEVIATION OF CONCENTRICITY BETWEEN THE GROOVE AND THE SHAFT.

3/ K - MAXIMUM DIAMETER WHEN THE RING IS PROPERLY SEATED IN THE GROOVE. (DESIGN REFERENCE DIMENSION).

4/ C - ACTUAL CLEARANCE DIAMETER WHEN THE RING IS SPRUNG OVER THE SHAFT PRIOR TO INSTALLATION INTO THE GROOVE. (DESIGN REFERENCE DIMENSION).

5/ R AND CH - RADII OR CHAMFERS ALLOWABLE ON PARTS TO BE RETAINED BY THE RINGS. ALLOWABLE THRUST LOADS FOR RINGS RETAINING PARTS WITH MAXIMUM CORNER RADII OR CHAMFERS ARE LISTED IN TABLE VII ON PAGE 1.

MS16624D
w/AMENDMENT 1

REQUIREMENTS:

1. CLASSIFICATION: RETAINING RINGS FURNISHED UNDER THIS STANDARD SHALL BE TYPE I, CLASS 2 OF THE PROCUREMENT SPECIFICATION.
2. MATERIAL: CARBON SPRING STEEL, GRADE 1060 THRU 1095 (UNS G10600 THRU G10950) IN ACCORDANCE WITH ASTM A 568/A568M OR ASTM A684/A684M.
CORROSION RESISTANT STEEL, IN ACCORDANCE WITH SAE AMS 5520 (UNS S15700).
BERYLLIUM COPPER, ALLOY NUMBER 170 (UNS C17000) OR ALLOY NUMBER 172 (UNS C17200) IN ACCORDANCE WITH ASTM B194.
3. HARDNESS

TABLE II. HARDNESS.

ØSHAFT (REF)	CARBON STEEL	CORROSION RESISTANT STEEL	BERYLLIUM COPPER
.125 TO .236 .250 TO .669 .668 TO 1.500 1.562 TO 3.437 3.500 & ABOVE	68.5-73.0 HR30N 52.5-59.0 HR45N 46.0-51.0 HRC 44.0-49.0 HRC	63-69.5 HR30N 44-51 HRC	77 TO 82 HRI5N
.250 TO .812 .875 & ABOVE .250 TO 1.023 1.062 & ABOVE			56.5 TO 62 HR30N 37 TO 43 HRC

4. PROTECTIVE FINISH OR TREATMENT:

a. CARBON STEEL - SHALL BE (SEE TABLE III, IV, OR V)

1. CADMIUM PLATE IN ACCORDANCE WITH SAE AMS-QQ-P-416, TYPE II, CLASS 3 OR ASTM B 696, TYPE II, CLASS 5.
2. ZINC COAT IN ACCORDANCE WITH ASTM B633, TYPE II, CLASS Fe/Zn 5 or ASTM B 695, TYPE II, CLASS 5.
3. PHOSPHATE COAT IN ACCORDANCE WITH MIL-DTL-16232, TYPE Z, CLASS 2.

b. CORROSION RESISTANT STEEL - SHALL BE CLEANED, DESCALED AND PASSIVATED IN ACCORDANCE WITH SAE AMS2700.

c. BERYLLIUM COPPER - CADMIUM PLATE OR ZINC-NICKEL IN ACCORDANCE WITH AMS 2417, TYPE 2, AND IN ACCORDANCE WITH SAE AMS- QQ-P-416, TYPE II, CLASS 3 OR ASTM B 696, TYPE II, CLASS 5.

5. PART NUMBER: THE BASIC MS PART NUMBER IS FOLLOWED BY A DASH NUMBER TAKEN FROM TABLE III, IV, OR V.

EXAMPLE: MS16624-1100 IS THE PART NUMBER FOR A CARBON STEEL, CADMIUM PLATE, EXTERNAL BASIC RETAINING RING FOR USE ON A 1.000 SHAFT DIAMETER.

TABLE III. DASH NUMBERS FOR MS16624.

Ø S SHAFT (REF)	1/ CARBON STEEL CAD PLATE	1/ CARBON STEEL ZINC COAT	1/ CARBON STEEL PHOSPHATE COAT	CRES	1/ Be COPPER	1/ Be COPPER CAD PLATE	Ø S SHAFT (REF)	1/ CARBON STEEL CAD PLATE	1/ CARBON STEEL Z NC COAT	1/ CARBON STEEL PHOSPHATE COAT	CRES	1/ Be COPPER	1/ Be COPPER CAD PLATE	Ø S SHAFT (REF)	1/ CARBON STEEL CAD PLATE	1/ CARBON STEEL Z NC COAT	1/ CARBON STEEL PHOSPHATE COAT	CRES
	DASH NO	DASH NO	DASH NO		DASH NO	DASH NO		DASH NO	DASH NO	DASH NO		DASH NO	DASH NO		DASH NO	DASH NO	DASH NO	
.125					5012	5012-1	1.062	1106	2106	3106	4106	5106	5106-1	3.125	1312	2312	3312	4312
.156					5015	5015-1	1.125	1112	2112	3112	4112	5112	5112-1	3.156	1315	2315	3315	4315
.188					5018	5018-1	1.188	1118	2118	3118	4118	5118	5118-1	3.250	1325	2325	3325	4325
.197					5019	5019-1	1.250	1125	2125	3125	4125	5125	5125-1	3.346	1334	2334	3334	4334
219					5021	5021-1	1.312	1131	2131	3131	4131	5131	5131-1	3.438	1343	2343	3343	4343
236					5023	5023-1	1.375	1137	2137	3137	4137	5137	5137-1	3.500	1350	2350	3350	4350
250	1025	2025	3025	4025	5025	5025-1	1.438	1143	2143	3143	4143	5143	5143-1	3.543	1354	2354	3354	4354
276	1027	2027	3027	4027	5027	5027-1	1.500	1150	2150	3150	4150	5150	5150-1	3.625	1362	2362	3362	4362
281	1028	2028	3028	4028	5028	5028-1	1.562	1156	2156	3156	4156	5156	5156-1	3.688	1368	2368	3368	4368
312	1031	2031	3031	4031	5031	5031-1	1.625	1162	2162	3162	4162	5162	5162-1	3.750	1375	2375	3375	4375
344	1034	2034	3034	4034	5034	5034-1	1.688	1168	2168	3168	4168	5168	5168-1	3.875	1387	2387	3387	4387
354	1035	2035	3035	4035	5035	5035-1	1.750	1175	2175	3175	4175	5175	5175-1	3.938	1393	2393	3393	4393
375	1037	2037	3037	4037	5037	5037-1	1.772	1177	2177	3177	4177	5177	5177-1	4.000	1400	2400	3400	4400
394	1039	2039	3039	4039	5039	5039-1	1.812	1181	2181	3181	4181	5181	5181-1	4.250	1425	2425	3425	4425
.406	1040	2040	3040	4040	5040	5040-1	1.875	1187	2187	3187	4187	5187	5187-1	4.375	1437	2437	3437	4437
.438	1043	2043	3043	4043	5043	5043-1	1.969	1196	2196	3196	4196	5196	5196-1	4.500	1450	2450	3450	4450
.469	1046	2046	3046	4046	5046	5046-1	2.000	1200	2200	3200	4200	5200	5200-1	4.750	1475	2475	3475	4475
500	1050	2050	3050	4050	5050	5050-1	2.062	1206	2206	3206	4206			5.000	1500	2500	3500	4500
551	1055	2055	3055	4055	5055	5055-1	2.125	1212	2212	3212	4212			5.250	1525	2525	3525	4525
562	1056	2056	3056	4056	5056	5056-1	2.156	1215	2215	3215	4215			5.500	1550	2550	3550	4550
594	1059	2059	3059	4059	5059	5059-1	2.250	1225	2225	3225	4225			5.750	1575	2575	3575	4575
625	1062	2062	3062	4062	5062	5062-1	2.312	1231	2231	3231	4231			6.000	1600	2600	3600	4600
669	1066	2066	3066	4066	5066	5066-1	2.375	1237	2237	3237	4237			6.250	1625	2625	3625	4625
672	1067	2067	3067	4067	5067	5067-1	2.438	1243	2243	3243	4243			6.500	1650	2650	3650	4650
688	1068	2068	3068	4068	5068	5068-1	2.500	1250	2250	3250	4250			6.750	1675	2675	3675	4675
.750	1075	2075	3075	4075	5075	5075-1	2.559	1255	2255	3255	4255			7.000	1700	2700	3700	4700
.781	1078	2078	3078	4078	5078	5078-1	2.625	1262	2262	3262	4262			7.500	1750	2750	3750	4750
812	1081	2081	3081	4081	5081	5081-1	2.688	1268	2268	3268	4268			8.000	1800	2800	3800	4800
875	1087	2087	3087	4087	5087	5087-1	2.750	1275	2275	3275	4275			8.500	1850	2850	3850	4850
938	1093	2093	3093	4093	5093	5093-1	2.875	1287	2287	3287	4287			9.000	1900	2900	3900	4900
984	1098	2098	3098	4098	5098	5098-1	2.938	1293	2293	3293	4293			9.500	1950	2950	3950	4950
1.000	1100	2100	3100	4100	5100	5100-1	3.000	1300	2300	3300	4300			10.000	2000	3000	4000	5000
1.023	1102	2102	3102	4102	5102	5102-1	3.062	1306	2306	3306	4306							

MS16624D
w/AMENDMENT 1

1/ Substitute corrosion resistant steel when used in food processing machinery, or in fuel or lubrication systems, or when used at temperatures over 450°F (233°C).

TABLE IV. SUBSTITUTION TABLE, CROSS REFERENCE PART NUMBERS

Ø S SHAFT (REF)	NACTIVE	INACTIVE	SUBST	SUBST	SUBST	Ø S SHAFT (REF)	INACTIVE	INACTIVE	SUBST	SUBST	SUBST	Ø S SHAFT (REF)	INACTIVE	SUBST	SUBST	SUBST
	CARBON STEEL	CARBON STEEL	1/ CARBON STEEL CAD PLATE	1/ CARBON STEEL ZINC COAT	1/ CARBON STEEL PHOSPHATE COAT		CARBON STEEL	CARBON STEEL	1/ CARBON STEEL CAD PLATE	1/ CARBON STEEL ZINC COAT	1/ CARBON STEEL PHOSPHATE COAT		CARBON STEEL	1/ CARBON STEEL CAD PLATE	1/ CARBON STEEL ZINC COAT	1/ CARBON STEEL PHOSPHATE COAT
	MS9013	MS16624	MS16624	MS16624	MS16624		MS9013	MS16624	MS16624	MS16624	MS16624		MS9013	MS16624	MS16624	MS16624
.250	01	25	1025	2025	3025	1.250	30	125	1125	2125	3125	3.125	312	1312	2312	3312
.276	02	27	1027	2027	3027	1.312	31	131	1131	2131	3131	3.156	315	1315	2315	3315
.281	03	28	1028	2028	3028	1.375	32	137	1137	2137	3137	3.250	325	1325	2325	3325
.312	04	31	1031	2031	3031	1.438	33	143	1143	2143	3143	3.346	334	1334	2334	3334
.344	05	34	1034	2034	3034	1.500	34	150	1150	2150	3150	3.438	343	1343	2343	3343
.354	06	35	1035	2035	3035	1.562	35	156	1156	2156	3156	3.500	350	1350	2350	3350
.375	07	37	1037	2037	3037	1.625	36	162	1162	2162	3162	3.541	354	1354	2354	3354
.394	08	39	1039	2039	3039	1.688	37	168	1168	2168	3168	3.625	362	1362	2362	3362
.406	09	40	1040	2040	3040	1.750	38	175	1175	2175	3175	3.688	368	1368	2368	3368
.438	10	43	1043	2043	3043	1.772	39	177	1177	2177	3177	3.750	375	1375	2375	3375
.469	11	46	1046	2046	3046	1.812	40	181	1181	2181	3181	3.875	387	1387	2387	3387
.500	12	50	1050	2050	3050	1.875	41	187	1187	2187	3187	3.938	393	1393	2393	3393
.551	13	55	1055	2055	3055	1.969	42	196	1196	2196	3196	4.000	400	1400	2400	3400
.562	14	56	1056	2056	3056	2.000	43	200	1200	2200	3200	4.250	425	1425	2425	3425
.594	15	59	1059	2059	3059	2.062	44	206	1206	2206	3206	4.375	437	1437	2437	3437
.625	16	62	1062	2062	3062	2.125	45	212	1212	2212	3212	4.500	450	1450	2450	3450
.669	17	66	1066	2066	3066	2.156	46	215	1215	2215	3215	4.750	475	1475	2475	3475
.672		67	1067	2067	3067	2.250	47	225	1225	2225	3225	5.000	500	1500	2500	3500
.688	18	68	1068	2068	3068	2.312	48	231	1231	2231	3231	5.250	525	1525	2525	3525
.750	19	75	1075	2075	3075	2.375	49	237	1237	2237	3237	5.500	550	1550	2550	3550
.781	20	78	1078	2078	3078	2.438	50	243	1243	2243	3243	5.750	575	1575	2575	3575
.812	21	81	1081	2081	3081	2.500	51	250	1250	2250	3250	6.000	600	1600	2600	3600
.875	22	87	1087	2087	3087	2.559	52	255	1255	2255	3255	6.250	625	1625	2625	3625
.938	23	93	1093	2093	3093	2.625	53	262	1262	2262	3262	6.500	650	1650	2650	3650
.984	24	98	1098	2098	3098	2.688	54	268	1268	2268	3268	6.750	675	1675	2675	3675
1.000	25	100	1100	2100	3100	2.750	55	275	1275	2275	3275	7.000	700	1700	2700	3700
1.023	26	102	1102	2102	3102	2.875	56	287	1287	2287	3287	7.500	750	1750	2750	3750
1.062	27	106	1106	2106	3106	2.938	57	293	1293	2293	3293	8.000	800	1800	2800	3800
1.125	28	112	1112	2112	3112	3.000	58	300	1300	2300	3300	8.500	850	1850	2850	3850
1.188	29	118	1118	2118	3118	3.062		306	1306	2306	3306	9.000	900	1900	2900	3900
												9.500	950	950	2950	3950
												10 000	1000	2000	3000	4000

1/ Substitute corrosion resistant steel when used in food processing machinery, or in fuel or lubrication systems, or when used at temperatures over 450°F (233°C).

MS16624D
w/AMENDMENT 1

TABLE V. SUBSTITUTION TABLE (CROSS REFERENCE OF PART NUMBERS).

ØS SHAFT (REF)	INACTIVE	INACTIVE	SUBST	ØS SHAFT (REF)	INACTIVE	SUBST
	BERYLLIUM 1/ COPPER	BERYLLIUM 1/ COPPER	BERYLLIUM 1/ COPPER		BERYLLIUM 1/ COPPER CAD OR ZINC - NICKEL PLATE	BERYLLIUM 1/ COPPER CAD OR ZINC - NICKEL PLATE
	MS9012	MS16624	MS16624		MS16624	MS16624
.125	01	12	5012	.125	1012	5012-1
.156	02	15	5015	.156	1015	5015-1
.188	03	18	5018	.188	1018	5018-1
.197	04	19	5019	.197	1019	5019-1
.219	05	21	5021	.219	1021	5021-1
.236	06	23	5023	.236	1023	5023-1

1/ SUBSTITUTE CORROSION RESISTANT STEEL WHEN USED IN FOOD PROCESSING MACHINERY, OR IN FUEL OR LUBRICATION SYSTEMS, OR WHEN USED AT TEMPERATURES OVER 450°F (233°C).

NOTES:

1. UNLESS OTHERWISE SPECIFIED, ALL DIMENSIONS ARE IN INCHES.
2. IN THE EVENT OF A CONFLICT BETWEEN THE TEXT OF THIS STANDARD AND THE REFERENCES CITED HEREIN, THE TEXT OF THIS STANDARD SHALL TAKE PRECEDENCE.
3. RECOMMENDED DESIGN LIMITATIONS AND USAGE.
 - (a) INTENDED USE- TO PROVIDE SHOULDERS FOR POSITIONING AND RETAINING MACHINE COMPONENTS ON SHAFTS. TAPERED DESIGN PRINCIPLE PERMITS RINGS TO MAINTAIN PRACTICALLY CONSTANT CIRCULARITY AND PRESSURE AGAINST BOTTOM OF GROOVE, COUNTERACTING CONSIDERABLE CENTRIFUGAL FORCE (SEE TABLE IV). RINGS FOR SHAFT DIAMETERS OVER 4 INCHES ARE SPECIALLY DIMENSIONED TO MAINTAIN BALANCE IN ROTATION. THE USE OF THE FOLLOWING FORMULAS ARE BASED ON THE FACT THAT THE RING WILL NOT FAIL IN COMPRESSION.

LIMITATION ON USE- THE FOLLOWING FORMULAS ARE NOT TO BE USED FOR BRITTLE MATERIALS SUCH AS CAST IRON, ETC.

WARNING - RINGS SHOULD NOT BE OVER EXPANDED DURING INSTALLATION SINCE THIS WILL LEAD TO RING FAILURE. IF RING HAS PLAY BETWEEN THE GROOVE DIAMETER AND THE INSIDE RING DIAMETER THIS INDICATES THAT THE RING HAS BEEN OVER EXPANDED, (PROVIDING GROOVE HAS BEEN MACHINED TO RECOMMENDED DIMENSIONS).

FOR APPROXIMATE SAFETY RPM LIMITS SEE TABLE VI.

TABLE VI. APPROXIMATE SAFETY RPM LIMITS.

Ø SHAFT(INCHES)		.125	.500	1	2	3	4	6	8	10
CARBON AND CORROSION RESISTANT STEEL	RPM LIMIT	80,000	40,000	20,000	10,000	6,700	5,000	3,400	2,500	2,000
BERYLLIUM COPPER	RPM LIMIT	50,000	25,000	13,000	6,400					

MS16624D
w/AMENDMENT 1

(b) ALLOWABLE THRUST LOAD CAPACITY OF THE RINGS. ABUTTING COMPONENTS TO HAVE SHARP CORNERS=

$$P = \frac{\pi STX}{F}$$

WHERE:

P = ALLOWABLE THRUST LOAD (POUNDS)
S = SHAFT DIAMETER (INCHES)
T = RING THICKNESS (INCHES)
X = ULTIMATE SHEAR STRENGTH OF THE RING MATERIAL (PSI) ^{1/}
F = FACTOR OF SAFETY

A SAFETY FACTOR, F= 4, IS RECOMMENDED SINCE THE RING UNDER LOAD IS SUBJECTED NOT ONLY TO THE PURE SHEAR STRESSES, BUT ALSO TO BENDING STRESSES.

(c) ALLOWABLE LOAD CAPACITY OF GROOVE WALL

$$P = \frac{\pi SdY}{F}$$

WHERE:

P = ALLOWABLE COMPRESSION LOAD (POUNDS)
S = SHAFT DIAMETER (INCHES)
d = GROOVE DEPTH (INCHES)
Y = YIELD STRENGTH IN COMPRESSION OF THE GROOVE MATERIAL (PSI)
F = FACTOR OF SAFETY

TO INSURE A SAFE WORKING LOAD, A SAFETY FACTOR, F= 2, IS RECOMMENDED.

(d) MINIMUM DISTANCE BETWEEN OUTER GROOVE WALL AND END OF SHAFT =

$$Z = 3d$$

WHERE:

Z = MINIMUM DISTANCE BETWEEN OUTER GROOVE AND END OF SHAFT (INCHES)
d = GROOVE DEPTH (INCHES)

(e) DIFFERENTIAL ROTATION =

THE CONDITIONS UNDER WHICH A RETAINING RING MAY BE USED WHEN ADJACENT PARTS ROTATE RELATIVE TO IT, FALL INTO TWO CATEGORIES:

1. WHERE NO THRUST IS EXERTED BY ADJACENT PART; IN THIS CASE, DIFFERENTIAL ROTATION OF RING AND ADJACENT PART CREATES NO ELEMENT OF RISK IN THE APPLICATION OF THE RINGS BECAUSE NO FRICTIONAL TORQUE IS EXERTED BY THE MACHINE PART ON THE RING.

2. CONSIDERATION MUST BE GIVEN TO THE MAGNITUDE OF THE THRUST INVOLVED. THE FRICTION MOMENT MAY NOT EXCEED THE BENDING MOMENT, WHICH THE RING CAN TOLERATE WITHOUT RELEASING ITS PRESSURE AGAINST THE BOTIOM OF THE GROOVE, FORMULATED AS FOLLOWS:

$$fPN \leq \frac{sTE^2}{18} \quad \text{OR} \quad P \leq \frac{sTE^2}{f18N}$$

WHERE:

P = ALLOWABLE THRUST LOAD EXERTED BY ADJACENT PART (POUNDS)
f = COEFFICIENT OF FRICTION
s = WORKING STRESS OF RING UNDER MAXIMUM EXPANSION (PSI) ^{2/}
T = RING THICKNESS (INCHES)
E = GREATEST WIDTH SECTION OF RING (INCHES)
N = NEUTRAL RING DIAMETER (INCHES), FREE DIAMETER PLUS 3/4 E DIMENSION

IN SUCH CASES WHERE DIFFERENTIAL ROTATION OCCURS, THE CALCULATION SHOULD BE BASED ON THE MAXIMUM POSSIBLE VALUE OF THE COEFFICIENT OF FRICTION.

1/ X = 120,000 PSI ULTIMATE SHEAR STRENGTH FOR RINGS UP TO AND INCLUDING .672 INCH SHAFT DIAMETER OF CARBON STEEL OR CORROSION RESISTANT STEEL.

X = 150,000 PSI ULTIMATE SHEAR STRENGTH FOR RINGS .688 INCH AND OVER SHAFT DIAMETER OF CARBON STEEL OR CORROSION RESISTANT STEEL.

X = 110,000 PSI ULTIMATE SHEAR STRENGTH FOR RINGS OF ALL SHAFT DIAMETERS AND OF BERYLLIUM COPPER.

2/ S = 250,000 PSI WORKING STRESS FOR RINGS OF CARBON STEEL OR CORROSION RESISTANT STEEL.

S = 200,000 PSI WORKING STRESS FOR RINGS OF BERYLLIUM COPPER.

MS16624D
w/AMENDMENT 1

(f) IMPACT CAPACITY OF RING OR GROOVE WALL =

$$I_R = \frac{PT}{2} \text{ - FOR THE RING (INCH POUNDS), ABUTTING COMPONENTS TO HAVE SHARP CORNERS.}$$

$$I_G = \frac{Pd}{2} \text{ - FOR THE GROOVE (INCH POUNDS)}$$

WHERE:

P = ALLOWABLE THRUST LOAD OF RINGS OR GROOVES (POUNDS)

T = RING THICKNESS (INCHES)

I_G = IMPACT CAPACITY OF GROOVE WALL (INCH POUNDS)

d = GROOVE DEPTH (INCHES)

I_R = IMPACT CAPACITY OF RING (INCH POUNDS)

(g) LOAD CAPACITY, WITH THE RETAINED PART RADIUSED OR CHAMFERED =

WHEN THE RADIUS OR CHAMFER OF THE RETAINED PART DOES NOT EXCEED THE MAXIMUM RADIUS ALLOWED FOR THE BOTTOM OF THE RING GROOVE, THE LESSER LOAD CAPACITY COMPUTED FROM THE FORMULAS ON PAGES , 9 AND 10 WILL APPLY. THE CORNER RADII AND CHAMFERS LISTED ON TABL 1 WERE CHOSEN AS LARGE AS POSSIBLE FOR THE RING SIZES INVOLVED AND ARE RELATED TO THE MAXIMUM THRUST LOADS LISTED IN TABLE II. IF THE CORNER RADII OR CHAMFERS ARE SMALLER THAN THOSE LISTED, THEN THE THRUST LOADS INCREASE PROPORTIONALLY, IN ACCORDANCE WITH THE FOLLOWING FORMULAS:

$$P^1 = \frac{P \cdot CH^1}{CH^1} \quad \text{OR}$$

WHERE:

P¹ = NEW ALLOWABLE THRUST LOAD
P = LISTED ALLOWABLE THRUST LOAD

CH¹ = NEW (SMALLER) CHAMFER
CH = LISTED CHAMFER

$$P^1 = \frac{P \cdot R^1}{R^1}$$

R¹ = NEW (SMALLER) CORNER RADIUS
R = LISTED CORNER RADIUS

LIMIT LOADS LISTED IN TABLE VII ARE BASED ON RINGS OF BERYLLIUM COPPER (WORKING STRESS 180,000 PSI) FOR SIZES BELOW .250 INCH AND ON RINGS OF STEEL (WORKING STRESS 250,000 PSI) FOR SIZES .250 INCH AND OVER. IF THE ALLOWABLE GROOVE CAPACITY LOADS AS CALCULATED BY USING THE FORMULA ON PAGE 7 ARE LESS, THEN THEY SHOULD BE USED.

TABLE VII. LIMIT LOADS.

NOMINAL RING LOAD		ALLOWABLE THRUST LOAD FOR RING ASSEMBLIES WITH PARTS HAVING MAXIMUM CORNER RADII OR CHAMFERS	
FROM	TO	CARBON STEEL OR CRES	BERYLLIUM COPPER
.125	.156		45 LB
.188	.236		105 LB
.250	.469	470 LB	340 LB
.500	.672	950 LB	650 LB
.688	1.023	1350 LB	950 LB
1.062	1.500	1950 LB	1400 LB
1.562	2.000	3000 LB	2100 LB
2.062	2.688	5000 LB	
2.750	3.438	7350 LB	
3.500	5.000	10500 LB	
5.250	6.000	13500 LB	
6.250	7.000	21000 LB	
7.500	10.000	30000 LB	

4. AMENDMENT NOTATIONS. THE MARGINS OF THIS SPECIFICATION ARE MARKED WITH VERTICAL LINES TO INDICATE MODIFICATIONS GENERATED BY THIS AMENDMENT. THIS WAS DONE AS A CONVENIENCE ONLY AND THE GOVERNMENT ASSUMES NO LIABILITY WHATSOEVER FOR ANY INACCURACIES IN THESE NOTATIONS. BIDDERS AND CONTRACTORS ARE CAUTIONED TO EVALUATE THE REQUIREMENTS OF THIS DOCUMENT BASED ON THE ENTIRE CONTENT IRRESPECTIVE OF THE MARGINAL NOTATIONS.

MS16624D
w/AMENDMENT 1

MILITARY INTEREST

Custodians:

Army - AR
Navy - OS
Air Force - 99

Preparing activity:

DLA - IS

Review activities:

Army - AT, AV, CR, GL, MI
Navy - AS, MC
Air Force - 11

(Project 5325-2012-005)

NOTE: The activities listed above were interested in this document as of the date of this document. Since organizations and responsibilities can change, you should verify the currency of the information above using the ASSIST Online database at <https://assist.dla.mil>.