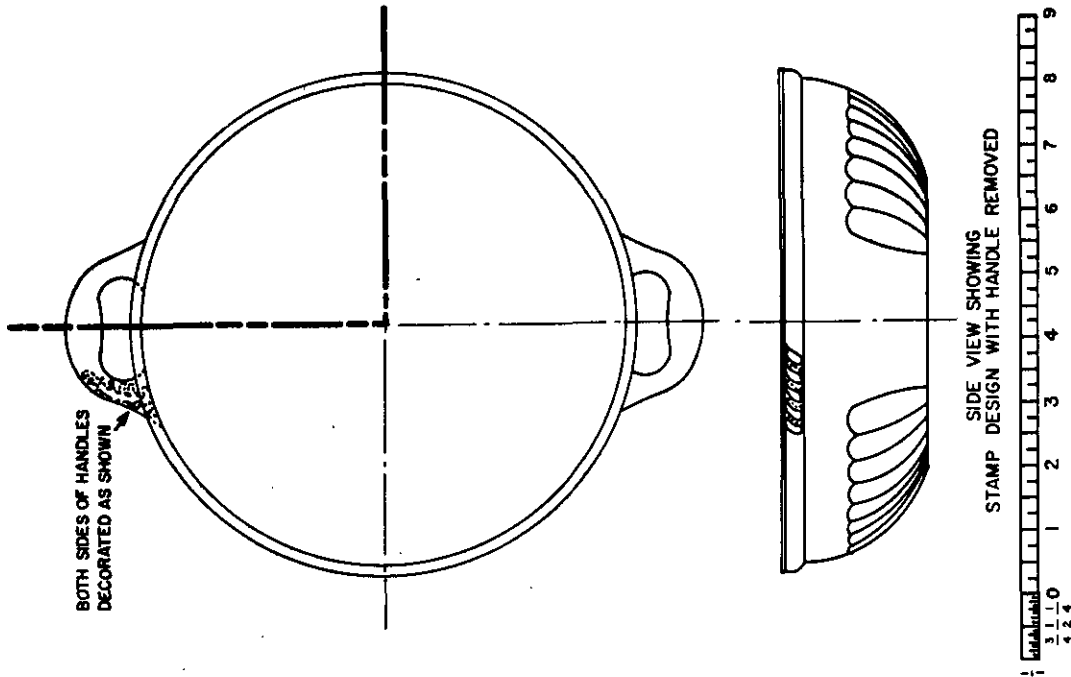


CANCELLED AFTER 25 SEPT 72
USE RR-T-51, TYPE I,
ITEM 5

NOTES

1. WEIGHT OF SILVER SHALL BE A MINIMUM OF 1 TROY OUNCE PER SQUARE FOOT.
2. DISTINGUISHING MARK SHALL BE SIZE 6 AS SHOWN ON STANDARD MS 15044 (S&A).
3. REFERENCED DOCUMENTS SHALL BE OF THE ISSUE IN EFFECT ON DATE OF INVITATIONS FOR BIDS.
4. FOR DESIGN FEATURE PURPOSES, THE STANDARD TAKES PRECEDENCE OVER PROCUREMENT DOCUMENTS REFERENCED HEREIN.

(B)



This standard has been approved by the **BUSANDA** Department of the **NAVY** and is mandatory for use by that activity. All other military activities are required to employ this standard where suitable.

NOTICE.—When Government drawings, specifications, or other data are used for any purpose other than in connection with a definitely related Government procurement operation, the United States Government thereby incurs no responsibility, nor any obligation whatsoever, and the fact that the Government may have formulated, furnished, or in any way supplied the said drawings, specifications, or other data is not to be regarded by implication or otherwise as in any manner licensing the holder or any other person or corporation, or conveying any rights, or permission to manufacture, use, or sell any patented invention that may in any way be related thereto.

ENTIRE STANDARD REVISED

P.A. S & A Other Cost	TITLE DISH, VEGETABLE, ROUND, 8-INCH (PLATEDWARE ALL OFFICERS' MESSSES)	MILITARY STANDARD
		MS 15060 (S&A)
PROCUREMENT SPECIFICATION RR-T-51	SUPERSEDES: MS 15060 (SHIPS)	SHEET 1 OF 1

APPROVED 12 DEC. 1952 REVISED (A) 19 NOV. 1962 (B) 25 SEPT 72