

INCH-POUND

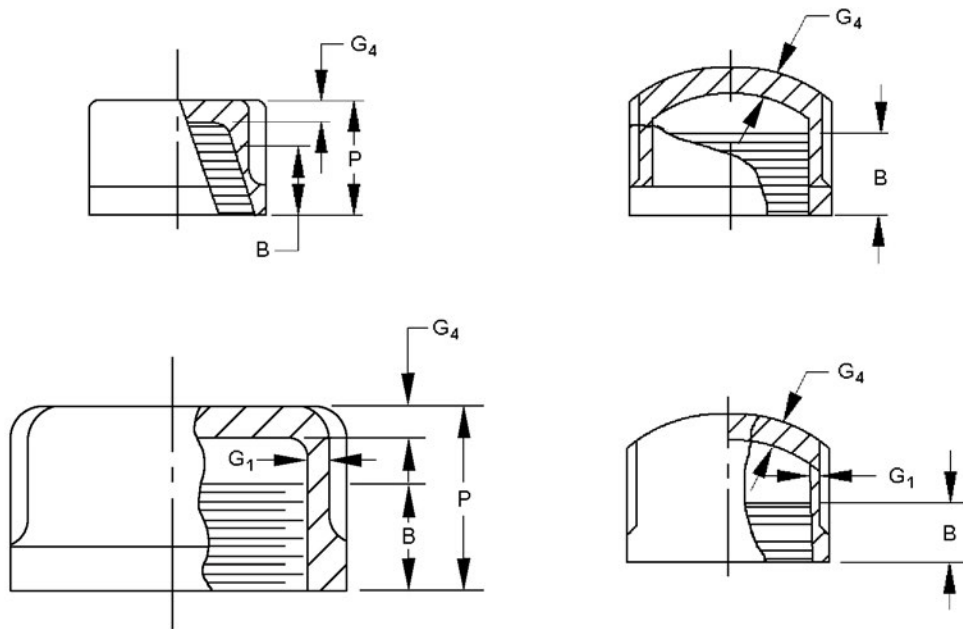
MS14310D
16 September 2015
SUPERSEDING
MS14310C
15 December 2009

DETAIL SPECIFICATION SHEET

CAPS, PIPE, BRASS OR BRONZE, THREADED, CLASS 125

This specification is approved for use by all Departments and Agencies of the Department of Defense.

The requirements for acquiring the product described herein shall consist of this specification sheet and WW-P-460.



CAST CAPS - ANY DESIGN ABOVE ACCEPTABLE

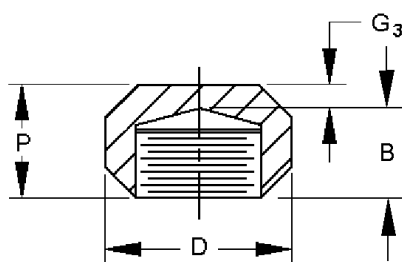
FIGURE 1. Cap fittings.

AMSC N/A

FSC 4730



MS14310D



W - WROUGHT CAP

NOTE: Dimensions: In accordance with ASME-B16.15, table titled "Dimensions of Caps - Class 125".

FIGURE 1. Cap fittings – Continued.

Requirements

Material:

Non-potable water: Brass or bronze (leaded) in accordance with ASME-B16.15.

Potable water: Brass alloys C89510 or C89520 in accordance with ASTM B584 or C89550 in accordance with CDA (Copper Development Association Inc.).

Threads: In accordance with ASME-B16.15.

Marking: In accordance with ASME-B16.15.

Protective coating: None.

Fitting designators. Fitting type and size designators see table I.

TABLE I. Fitting type and size. 1/ 2/

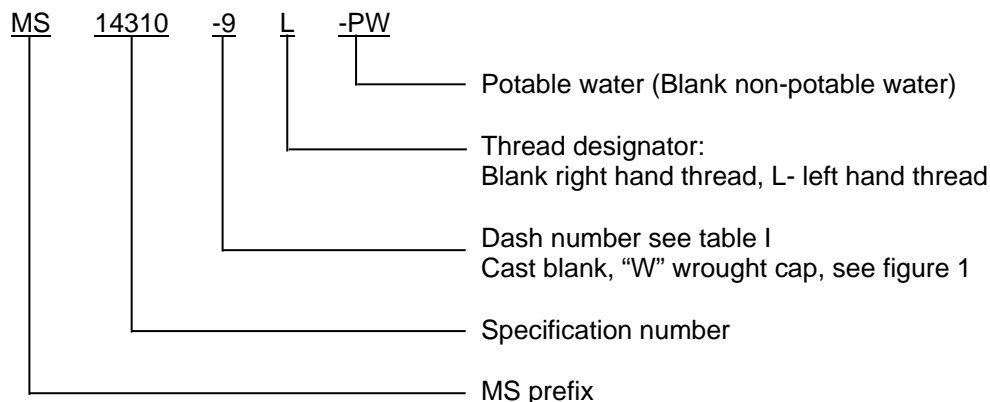
Dash number		Pipe size		
Cast	Wrought	Fraction	Inches	mm
-1	-1W	1/8	.125	3.18
-2	-2W	1/4	.250	6.35
-3	-3W	3/8	.375	9.53
-4	-4W	1/2	.500	12.70
-5	-5W	3/4	.750	19.05
-6	---	1	1.000	25.40
-7	---	1-1/4	1.250	31.75
-8	---	1-1/2	1.500	38.10
-9	---	2	2.000	50.80
-10	---	2-1/2	2.500	63.50
-11	---	3	3.000	76.20
-12	---	4	4.000	101.60

1/ Dimensions are in inches.

2/ Metric equivalents are given for information only.

MS14310D

Part or Identifying Number (PIN): The PIN consists of the MS prefix, specification number, dash number for size, cast "blank" or wrought "W" letter, thread designator, non-potable water (Blank) or potable water dash letters (-PW). When left-hand threads are required, add the letter "L" to the PIN.



PIN Examples:

MS14310-9 represents a 2 inch Nominal Pipe Size (NPS) cast cap.

MS14310-9-PW represents a 2 inch NPS cast cap for potable water.

MS14310-9W represents a 2 inch NPS wrought cap.

MS14310-5WL represents a 3/4 inch NPS wrought, left-hand threads.

MS14310-5WL-PW represents a 3/4 inch NPS wrought, left-hand threads for potable water.

Order of precedence. Unless otherwise noted herein or in the contract, in the event of a conflict between the text of this document and the references cited herein, the text of this document takes precedence. Nothing in this document, however, supersedes applicable laws and regulations unless a specific exemption has been obtained.

Referenced documents shall be of the issue in effect on date of invitations for bid.

Brass fittings for potable water use may be substituted for non-potable water brass fittings. Non-potable brass fittings shall not be substituted for potable water fittings.

January 4, 2014, Federal Public Law 111-380 prohibits the sale of plumbing fixtures with a wetted surface area containing more than a weighted average of 0.25% lead.

Potable water fittings. Brass caps for potable water systems shall be certified and marked as described:

Many State plumbing codes require the use of products that are in compliance with NSF/ANSI standards 61 and 372. NSF/ANSI Standard 372 is a certification process by which independent laboratories verify that the plumbing product is in compliance with the requirements of the 2011 Reduction of Lead in Drinking Water Act. Products will bear the mark of the laboratory that has independently certified that the product meets the standard. EPA published a brochure to assist the public with identifying the various marks that indicate a product has been certified as lead free to the new requirement of the Act: "How to Identify Lead-Free Certification Marks for Drinking Water System & Plumbing Materials." You can access the document at <http://nepis.epa.gov/Exe/ZyPDF.cgi?Dockkey=P100LVYK.txt>.

Non-potable water fittings. Brass caps not for potable water systems shall be tagged:

NOT FOR USE IN POTABLE WATER SYSTEMS.

MS14310D

Changes from previous issue. Marginal notations are not used in this revision to identify changes with respect to the previous issue due to the extent of the changes.

Referenced documents. In addition to WW-P-460, this document references the following:

Reduction of Lead in Drinking Water Act
ASME-B16.15
ASTM B584
NSF/ANSI Standard 61
NSF/ANSI Standard 372

CONCLUDING MATERIAL

Custodians:

Army - AT
Navy - MC
Air Force - 99
DLA - CC

Preparing activity:

DLA - CC

(Project 4730-2015-029)

Review activities:

Army - AR, CE, EA
Navy - SA, SH, YD
Air Force - 71

NOTE: The activities listed above were interested in this document as of the date of this document. Since organizations and responsibilities can change, you should verify the currency of the information above using the ASSIST Online database at <https://assist.dla.mil>.