

This military standard is approved by NAVAL AIR SYSTEMS COMMAND, Department of the Navy and is mandatory for use by all activities. All other military activities are required to employ this standard where suitable.

P.A. NAVY - AS
Other Cost

PROCUREMENT SPECIFICATION

TITLE
ADAPTER - AIR TURBINE STARTER TO ENGINE, MOUNTING

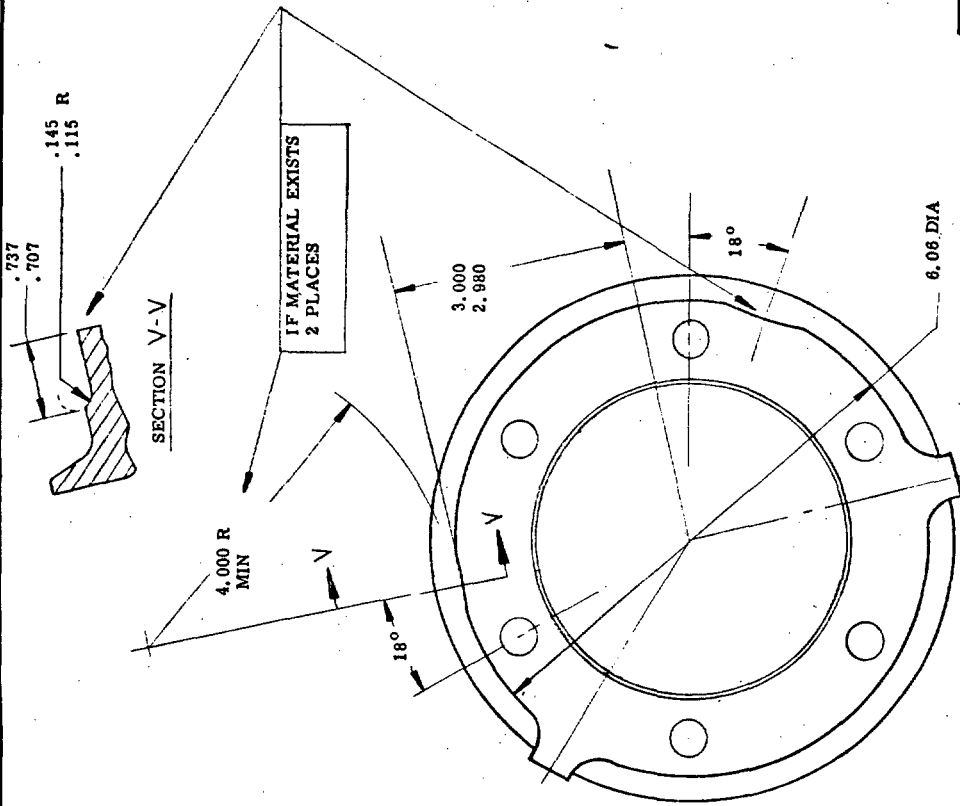
SUPERSEDES:

MILITARY STANDARD
MS14117(AS)

SHEET 1 OF 2

APPROVED 6 Jan 72 REVISED

FED. SUP CLASS
2995

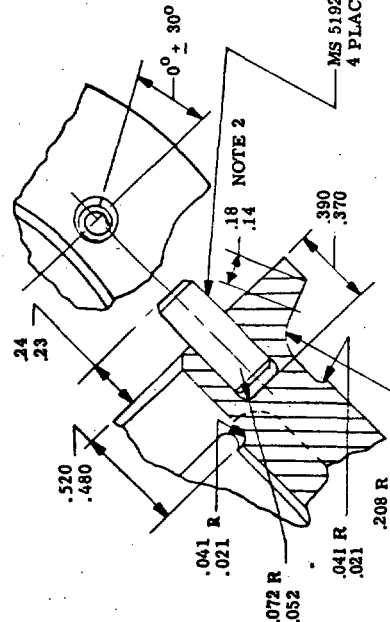


VIEW IN DIRECTION W-W

DASH NO.	DRAIN PORT PROVISIONS
-1	NONE
-2	FINISHED BOSS AT BOTH LOCATIONS

NOTES:

1. MATERIAL: ALUMINUM ALLOY NO. C355 PER MIL-A-21180C.
2. ANODIZE PER MIL-A-8625; HARDCOAT INDICATED SURFACE PER TYPE II, COAT ALL OTHER SURFACES PER TYPE II.
3. INSPECT CASTING PER MIL-C-6021, CLASS 2A, GRADE C.
4. DIMENSIONS IN INCHES, UNLESS OTHERWISE SPECIFIED, TOLERANCES: 3 PLACE DECIMALS $\pm .005$, 2 PLACE DECIMALS $\pm .01$, ANGLES $\pm 1^\circ$.
5. FILLETS TO BE .09 TO .15 UNLESS OTHERWISE SPECIFIED.
6. BREAK EDGES .003 \pm .015 UNLESS OTHERWISE SPECIFIED.
7. SURFACE TEXTURE IN ACCORDANCE WITH ASA B46.1-1962. (ANSI)
8. INSTALL WITH WET MIL-P-8585 PRIMER AS PACKAGED-UNDILUTED.



SECTION Y-Y (ENLARGED)

APPROVED 6 Jan 72 REVISED

P.A. NAVY - AS Other Cast.	TITLE
PROCUREMENT SPECIFICATION	SUPERSEDES:

TITLE	
ADAPTER-AIR TURBINE STARTER TO ENGINE, MOUNTING	
SHEET 2	

MILITARY STANDARD
MS14117(AS)

This military standard is approved by NAVAL AIR SYSTEMS COMMAND, Department of the Navy and is mandatory for use by that activity. All other military activities are required to employ this standard where suitable.