

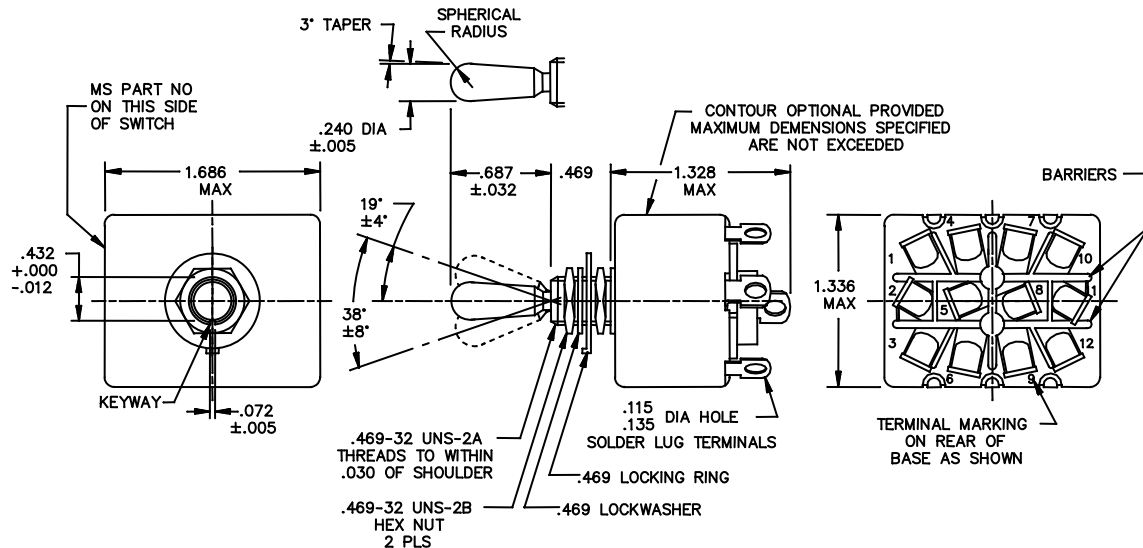
INCH-POUND
MS14003J
5 October 2011
SUPERSEDING
MS14003H
30 September 1986

DETAIL SPECIFICATION SHEET

SWITCH, TOGGLE, POSITIVE BREAK, ENVIRONMENTALLY SEALED,
SOLDER LUG, FOUR POLE, .469 MOUNTING BUSHING, 25 AMPERES

This specification is approved for use by all Departments and Agencies of the Department of Defense.

The requirements for acquiring the products described herein shall consist of this specification sheet and MIL-DTL-8834.



NOTES:

1. Dimensions are in inches.
2. Metric equivalents are given for general information only.
3. Unless otherwise specified, tolerances are ± 0.010 (0.25 mm) on decimals and $\pm 5^\circ$ on angles.

Inches	mm	Inches	mm
.005	0.13	.240	6.10
.010	0.25	.432	10.97
.012	0.30	.469	11.91
.030	0.76	.687	17.45
.032	0.81	1.328	33.73
.072	1.83	1.336	33.93
.115	2.92	1.686	42.82
.135	3.43		

FIGURE 1. Dimensions and configuration.

MS14003J

REQUIREMENTS:

For hardware detail specifications, see appendix of MIL-DTL-8834.

In the event of a conflict between the text of this specification and the references cited herein, the text of this specification shall take precedence.

For design feature purposes, this specification takes precedence over acquisition documents referenced herein.

Configuration of switch case housing, terminals, and barrier: design optional providing maximum dimensions specified are not exceeded.

Weight: .175 pound maximum (79.4 grams).

Altitude requirements: 80,000 feet.

115 V ac 60 hertz electrical endurance tests are to be performed at room temperature and pressure.

Contact bounce: Shall not exceed 3.5 milliseconds.

TABLE I. Detail requirements.

MS dash no	Circuits made between terminals as indicated with the toggle lever in these positions:			Current capacity amperes per pole 28 volts dc $\frac{1}{1}$			Current capacity amperes per pole $\frac{1}{1}$ 115 volts 400 hertz ac			Current capacity amperes per pole $\frac{1}{1}$ 115 volts 60 hertz ac			
	Opposite keyway side	Center position	Keyway side	Lamp load circuit	Resistive circuit	Inductive circuit	Lamp load circuit	Resistive circuit	Inductive circuit	Lamp load circuit	Resistive circuit	Inductive circuit	
-212	on 2-3, 5-6 8-9, 11-12	off	on 1-2, 4-5 7-8, 10-11	7	25	15	7	25	15	7	20	15	
-222		none	off										off
-232			on 1-2, 4-5 7-8, 10-11										
-242			off										none
-262			none										none
-272	mom-on 2-3, 5-6 8-9, 11-12	off	mom-on 1-2, 4-5 7-9, 10-11										
-282	none												
-292	on 2-3, 5-6 8-9, 11-12	none	mom-off										
-302	off		mom-on										
-312	on 2-3, 5-6 8-9, 11-12	off	mom-on 1-2, 4-5 7-8, 10-11										

See footnote at end of table.

MS14003J

TABLE I. Detail requirements - Continued.

MS dash no	Current capacity amperes per pole ^{1/} 250 volts 60 hertz ac			Current capacity amperes per pole ^{1/} 125 volts dc			Current capacity amperes per pole ^{1/} 250 volts dc			Life low current level switching 30 mV
	Lamp load circuit	Resistive circuit	Inductive circuit	Lamp load circuit	Resistive circuit	Inductive circuit	Lamp load circuit	Resistive circuit	Inductive circuit	
-212										10 mA
-222										
-232										
-242										
-262										
-272		10	7		750 mA			500 mA		
-282										
-292										
-302										
-312										

^{1/} Application information ratings at room temperature.

Referenced documents:

MIL-DTL-8834

Changes from previous issue. Marginal notations are not used in this revision to identify changes with respect to the previous issue due to the extent of the changes.

Custodians:

Army – CR
Navy – AS
Air Force – 85
DLA - CC

Preparing activity:

DLA – CC

(Project 5930-2011-072)

Review activities:

Army - AR, MI
Navy - EC
Air Force - 99

NOTE: The activities listed above were interested in this document as of the date of this document. Since organizations and responsibilities can change, you should verify the currency of the information above using the ASSIST Online database at <https://assist.daps.dla.mil/>.