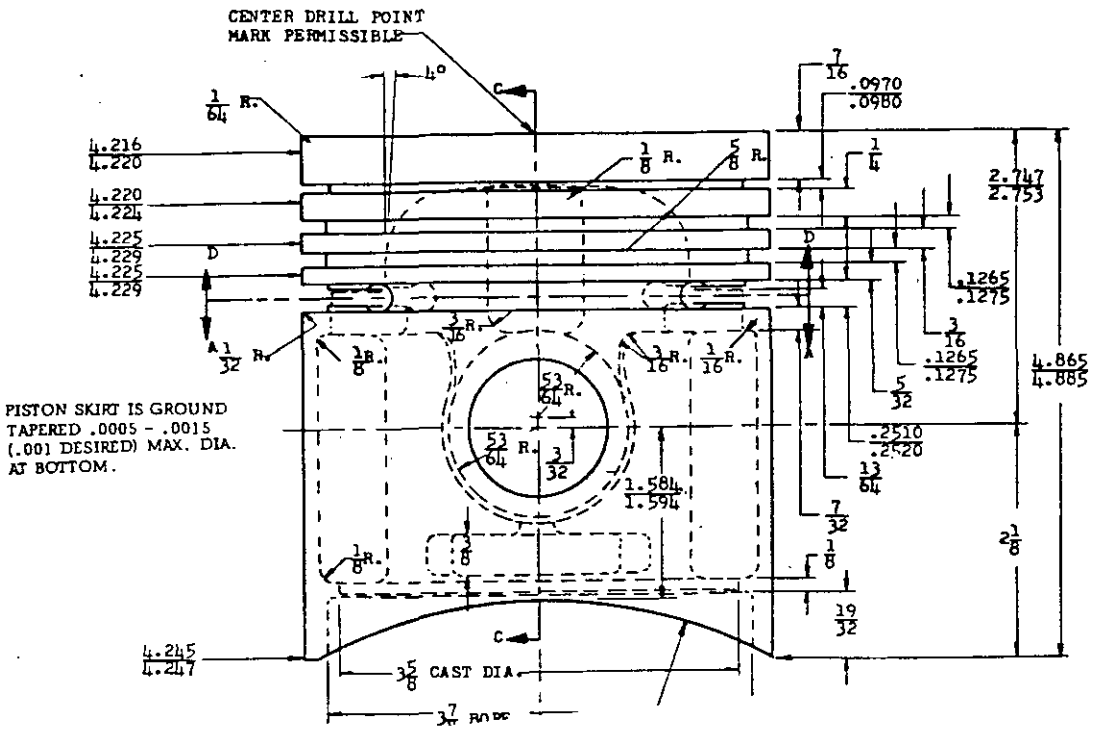


REVIEW INTEREST: DCSG, 69
 USER INTEREST: TD, ATAC

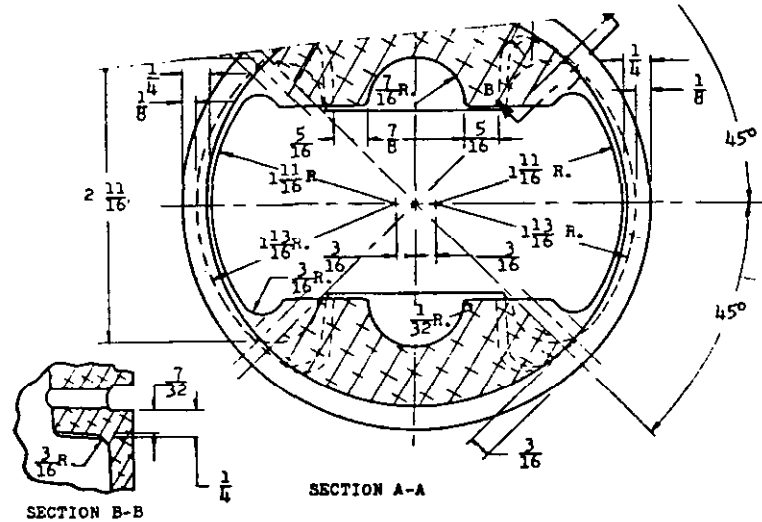
FED. SUP CLASS#
 2805.



PISTON SKIRT IS GROUND
 TAPERED .0005 - .0015
 (.001 DESIRED) MAX. DIA.
 AT BOTTOM.

SIDES OF
 TRUE WT.
 RING LAN
 EFFECT C
 JIGGING I
 NOTCHES
 AS QUALB

(B) CANCELED AFTER 20 SEPTEMBER 1982
 NO SUPERSEDING STANDARD



WT. OF FIN. PISTON:
 1222 ± 4 GRAMS.

This Military Standard has been approved by the Department of Defense and is mandatory for use by all Departments and Agencies of the Department of Defense. Selection for all new engineering and design applications and for repetitive use shall be made from this document.

(A) ENTIRE STANDARD REVISED		PART NO. MS 13888-1	
P.A. Other Cast	MO (ERDL) A.F. - 69 NAVY - YD	TITLE PISTON, INTERNAL COMBUSTION ENGINE: 4-1/4" x 4-7/8" COMP. HEIGHT 2-3/4"	MILITARY STANDARD MS 13888
PROCUREMENT SPECIFICATION MIL-E-11275	SUPERSEDES:	SHEET 1 OF 6	

APPROVED FOR REVISIONS REVISED (A) 15 DEC 1965 (B) 20 SEPTEMBER 1982