

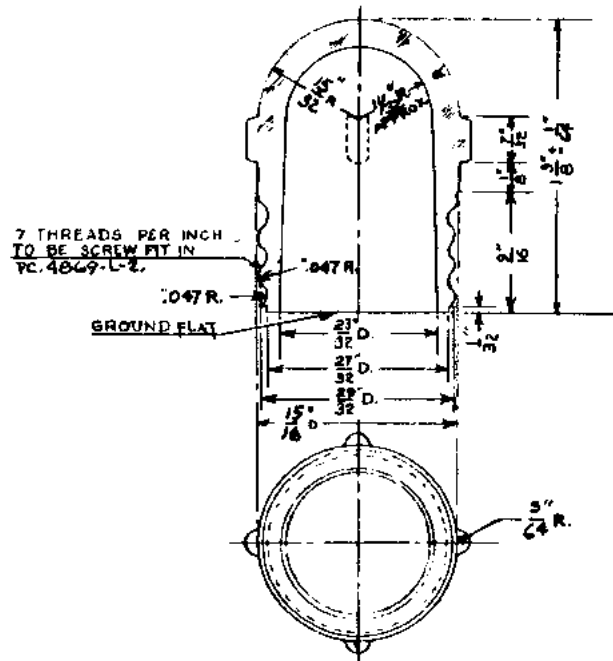
- (31) - YELLOW - ETCHED  
 (32) - BLUE - ETCHED  
 (33) - CLEAR - ETCHED  
 (34) - GREEN - ETCHED  
 (35) - RED - ETCHED  
 (36) - CLEAR

**MATERIAL:**

SHALL BE EITHER GLASS OR PLASTIC.  
 GLASS SHALL BE COMMERCIAL, COLORS SHALL COMPLY WITH  
 SPEC. FED. STD. 2, CATEGORY I.

**PLASTIC:**

PC. 31 SHALL COMPLY WITH NOTE 3 ON SHEET 1.03.  
 PC. 32 SHALL COMPLY WITH NOTE 4 ON SHEET 1.03.  
 PCS. 33 AND 36 SHALL COMPLY WITH NOTE 6 ON SHEET 1.03.  
 PC. 34 SHALL COMPLY WITH NOTE 5 ON SHEET 1.03.  
 PC. 35 SHALL COMPLY WITH NOTE 1 ON SHEET 1.03.



SAME AS 9-S-4869-L-1

M.F. 6.9.97

B1	MATERIAL NOTES REVISED		10-1-54
0	FIRST ISSUE		-
REV.	DESCRIPTION	APPROVED BY	DATE

## REVISIONS

GLOBES				NAVY DEPT BUSHIPS DRAWING NO.	REV.
PCS. 31, 32, 33, 34, 35 & 36.				9000 S6405 B 74222	B
SCALE: 24 INCHES = 1 FT				SHEET 4 OF 14	