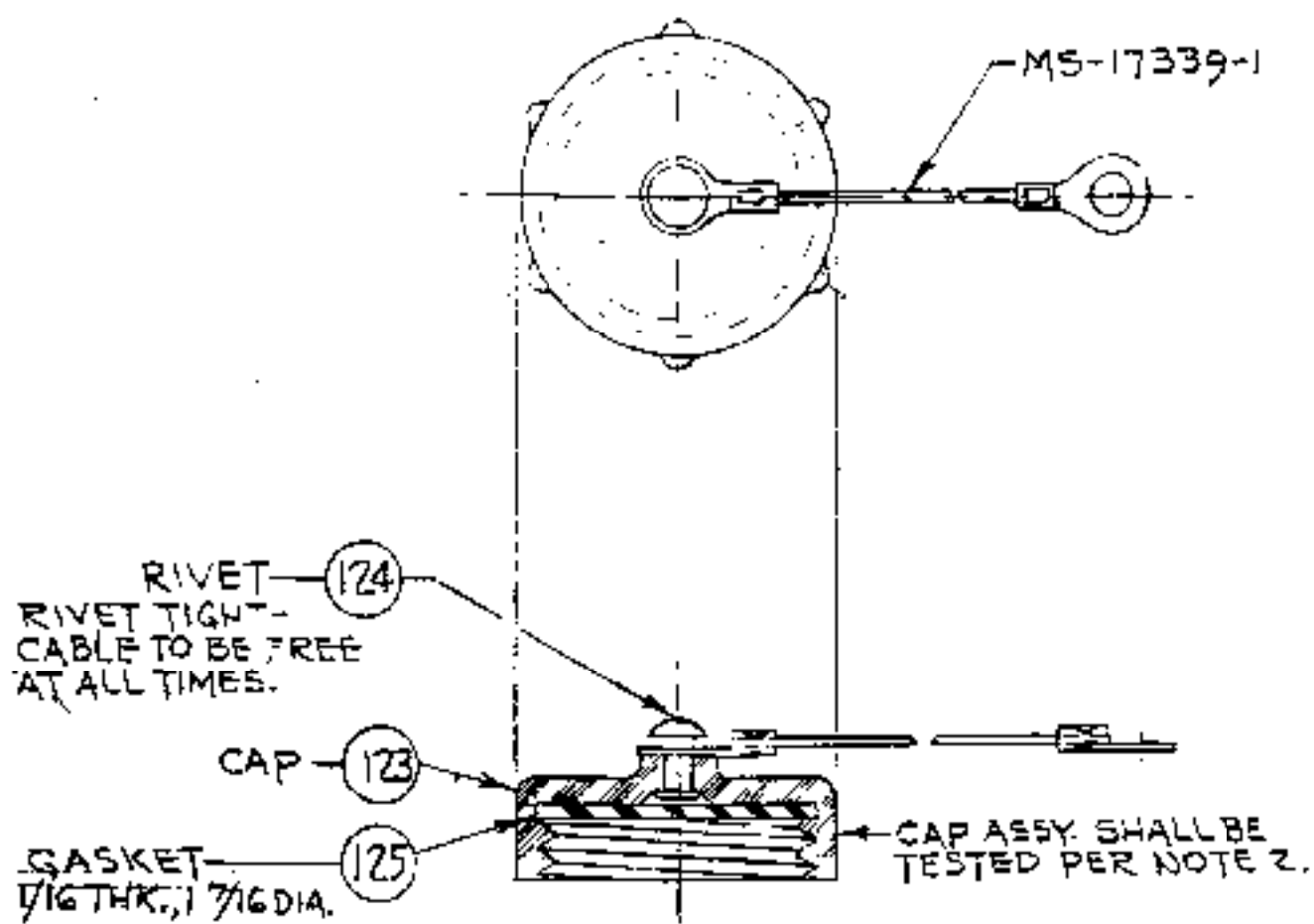


119



NOTES:
2. CAP ASSEMBLY, INSTALLED ON RECEPTACLE
DWG. 9000-56202-74026, SHALL
WITHSTAND THE WATERTIGHT TEST
(3-FOOT SUBMERGENCE).

090

REV.	DESCRIPTION	APPD. BY	DATE
P	REVISED PC. 119: ADDED PCS. 123, 124, 125 & MS-17339-1. DELETED PC. 120, NOTE 1.	WJH	10-31-
N	REVISED PC. 120	WJH	2-8-6
L	ADDED PC. 120.	WJH	3-19-
K	FIRST ISSUE	WJH	1-12-

PC. NO.	MATERIAL	SPEC.
125	RUBBER	MIL-R-3065

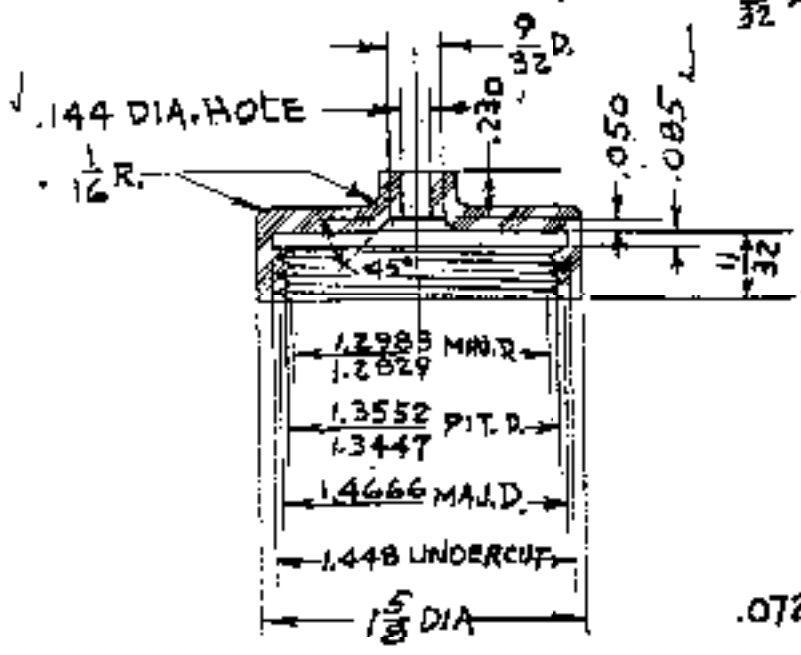
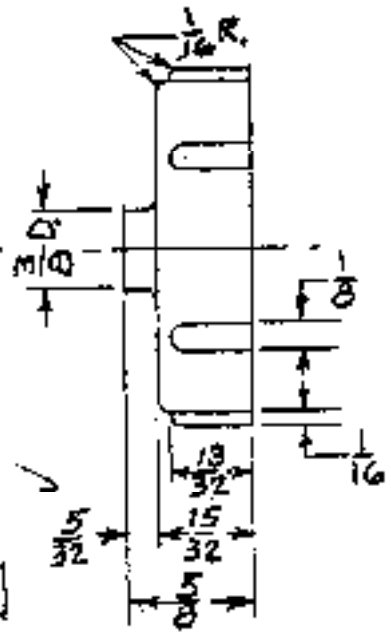
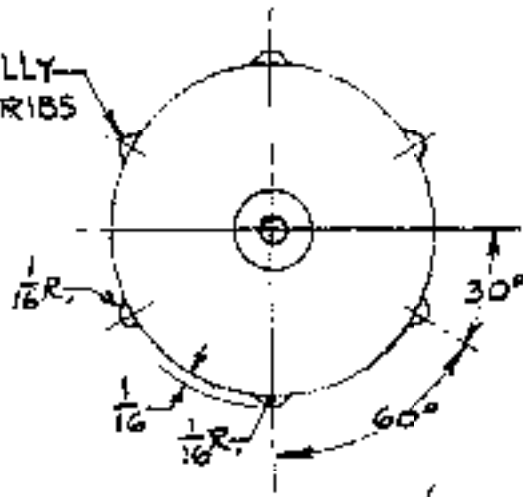
CAP & WIRE ASSY. PC. 119				NAVY DEPT. BUSHIPS DRAWING NO. RE			
9000	56202	A	74031	P			

SCALE: 1/2" = 1 FOOT SHEET 52

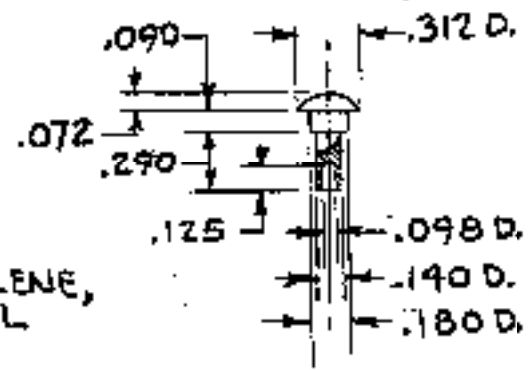
USED ON FIG. 119

123 SUPERSEDES PC. 45

6 EQUALLY SPACED RIBS



124



NOTES:
 1. CAP MATERIAL SHALL BE POLYETHYLENE, BLACK, HIGH DENSITY, COMMERCIAL GRADE.

DORN EQUIPMENT CORP.
 27 UPHAM STREET
 P. O. BOX "B"
 MELROSE, MA. 02176

123	SEE NOTE 1		P	FIRST ISSUE	<i>mtd</i>	10-31
124	AL5056-H32	COM'L.	REV.	DESCRIPTION	Approved By	DAT
PC.NO.	MATERIAL	SPEC.	REVISIONS			
CAP - PC. 123			NAVY DEPT. BUSHIPS DRAWING NO. RE			

REVISIONS				
REV.	DESCRIPTION	DATE	APPRN ENGR	DESIGN ENGR.
G	REDRAWN - SEE INDIVIDUAL SHEETS	7/7/56		
H	ADDED SH. 50; REVISED SH. 1A, 1B, 2, 4, 25, 26 & 27	12-15-58	WCH	WCH
J	ADDED SH. 51, REVISED SH. 1D.	6-2-60	WCH	WCH
K	REVISED SH. 1B, 1D, 26 & 28. ADDED SH. 52, PC. 119	1-12-61	WCH	WCH
L	ADDED PC. 120. DELETED PCS. 45, 99, 95, SH. 28, 43. REVISED SH. 1B, 1C, 1D, 52.	8-29-61	WCH	WCH
M	REVISED SH. 1D & 4.	10-12-61	WCH	WCH
N	REVISED SH. 1A, 1D, 52 & PC. 120. DELETED SH. 51, PC. 118	2-8-61	WCH	WCH

TOLERANCES UNLESS SPECIFIED

DIMENSIONS ARE IN INCHES

DECIMAL DIMENSIONS	±.005
FRACTIONAL DIMENSIONS	± 1/64

NOTE:

TO KEEP THIS DRAWING CURRENT, SHEET REVISIONS AND INDEX WILL BE ISSUED IN LOOSE LEAF FORM.

SUPERSEDES REV. B 1/10/53

NAVY DEPARTMENT WASHINGTON, D.C.

BUREAU OF SHIPS

EXAMINED	<p>STANDARD DETAILS FOR ELECTRICAL FITTINGS (MOUNTING BRACKETS, STUDS, STRAPS, PADS, BOLTS AND WELDNUTS.) FABRICATED PARTS</p>
OFFICIAL SIGNATURE	
PROJECT ENGINEER	
REVIEWED	
TRACED	
DRAWN	
APPROVED	<p><i>Ed. J. Robinson</i> FOR CHIEF OF BUREAU</p>
	DATE: 7-7-56

ELECTRICAL STANDARD DRAWING	NAVY DEPT. BUSHIPS DRAWING NO.			REV.
	9000	56202	A74031	N
STD. NAVY STK. NO.	SCALE: AS SHOWN		SHEET 1 OF 52	