

METRIC

MIL-STD-2042-5A(SH)
29 September 1997
SUPERSEDING
MIL-STD-2042-5(SH)
7 July 1993

DEPARTMENT OF DEFENSE
STANDARD PRACTICE

FIBER OPTIC CABLE TOPOLOGY INSTALLATION
STANDARD METHODS FOR
NAVAL SHIPS
(CONNECTORS AND INTERCONNECTIONS)
(PART 5 OF 6 PARTS)



MIL-STD-2042-5A(SH)

FOREWORD

1. This Department of Defense Standard Practice is approved for use by the Naval Sea Systems Command, Department of the Navy, and is available for use by all Departments and Agencies of the Department of Defense.

2. Beneficial comments (recommendations, additions, deletions) and any pertinent data which may be of use in improving this document should be addressed to: Commander, Naval Sea Systems Command, SEA 03K12, 2531 Jefferson Davis Highway, Arlington, VA 22242-5160 by using the self-addressed Standardization Document Improvement Proposal (DD Form 1426) appearing at the end of this document or by letter.

3. This standard practice provides detailed information and guidance to personnel concerned with the installation of fiber optic cable topologies on Naval surface ships and submarines. The methods specified herein are not identifiable to any specific ship class or type, but are intended to standardize and minimize variations in installation methods to enhance the compatibility of the installations on all Naval ships.

4. In order to provide flexibility in the use and update of the installation methods, this standard practice is issued in seven parts; the basic standard practice and six numbered parts as follows:

- Part 1 Cables
- Part 2 Equipment
- Part 3 Cable Penetrations
- Part 4 Cableways
- Part 5 Connectors and Interconnections
- Part 6 Tests

MIL-STD-2042-5A(SH)

CONTENTS

<u>PARAGRAPH</u>		<u>PAGE</u>
1.	SCOPE	1
1.1	Scope	1
1.1.1	Applicability	1
2.	APPLICABLE DOCUMENTS	2
2.1	General	2
2.2	Government documents	2
2.2.1	Specifications, standards and handbooks	2
2.2.2	Other government documents	2
2.3	Non-government publications	2
2.4	Order of precedence	3
3.	DEFINITIONS	4
3.1	General fiber optics terms	4
3.2	Authorized approval.	4
3.3	End user equipment	4
3.4	Fiber optic cable topology	4
3.5	Installing activity	4
3.6	Local cable	4
3.7	Optical fiber cable component (OFCC).	4
3.8	Outlet.	4
3.9	Trunk cable	4
4.	GENERAL REQUIREMENTS	5
4.1	Fiber optic cable interconnection	5
4.1.1	Interconnection component selection	5
4.2	Fiber connectors	5
4.2.1	Installation	5
4.3	Fiber optic splices	5
4.3.1	Installation	5
4.4	Tests	5
4.5	Safety precautions	5
5.	DETAILED REQUIREMENTS	7
5.1	Heavy duty connector installation	7
5.1.1	Heavy duty connectors with removable backshells	7
5.1.2	Heavy duty connectors with non-removable backshells	7
5.1.3	Heavy duty connectors with insert retention nuts	7
5.2	Light duty connector installation	7
5.3	Mechanical (rotary) splice installation	7
6.	NOTES	8
6.1	Intended use	8
6.2	Issue of DODISS	8
6.3	Standard method designation	8
6.4	Subject term (key word) listing	8
 <u>METHOD</u>		
5A1	Multiple terminus connector installation	5A1-1
5B1	Single terminus connector installation	5B1-1
5C1	Mechanical splice ferrule installation	5C1-1
 <u>TABLE</u>		
5A1-I	Equipment and materials	5A1-1
5A1-II	Cable stripping dimensions	5A1-4
5A1-III	Equipment and materials	5A1-13
5A1-IV	Cable stripping dimensions	5A1-17
5A1-V	Equipment and materials	5A1-26
5B1-I	Equipment and materials	5B1-1
5C1-I	Equipment and materials	5C1-1
 <u>FIGURE</u>		
5A1-1	Backshell parts on the cable (straight backshell).	5A1-3
5A1-2	Cable stripping dimensions.	5A1-3
5A1-3	Mixing the epoxy.	5A1-5
5A1-4	Injecting epoxy into the terminus.	5A1-6
5A1-5	Inserting the fiber into the terminus.	5A1-6
5A1-6	Inserting a terminus in a cure adapter.	5A1-7
5A1-7	Termini in the curing oven.	5A1-7
5A1-8	Scoring the fiber.	5A1-8
5A1-9	Placing the terminus in the insertion tool.	5A1-8
5A1-10	Inserting the terminus in the polishing tool.	5A1-9
5A1-11	Removing the terminus from the polishing tool.	5A1-9

MIL-STD-2042-5A(SH)

CONTENTS

<u>FIGURE</u>		<u>PAGE</u>
5A1-12	Quality check.	5A1-10
5A1-13	Installing the terminus in the insert.	5A1-10
5A1-14	Installing the alignment sleeve.	5A1-11
5A1-15	Removing the terminus from the insert.	5A1-11
5A1-16	Strain relief parts on the cable.	5A1-15
5A1-17	Installing the O-ring.	5A1-15
5A1-18	Tightening the kevlar compression nut.	5A1-16
5A1-19	Cable stripping dimensions.	5A1-16
5A1-20	Mixing the epoxy.	5A1-18
5A1-21	Injecting epoxy into the terminus.	5A1-18
5A1-22	Inserting the fiber into the terminus.	5A1-19
5A1-23	Inserting a terminus in a cure adapter.	5A1-19
5A1-24	Termini in the curing oven.	5A1-20
5A1-25	Scoring the fiber.	5A1-21
5A1-26	Placing the terminus in the insertion tool.	5A1-21
5A1-27	Inserting the terminus in the polishing tool.	5A1-21
5A1-28	Removing the terminus from the polishing tool.	5A1-22
5A1-29	Quality check.	5A1-23
5A1-30	Installing the spacing shafts.	5A1-23
5A1-31	Installing the terminus in the insert.	5A1-24
5A1-32	Installing the alignment sleeve.	5A1-24
5A1-33	Removing the terminus from the insert.	5A1-25
5A1-34	Assembling the backshell.	5A1-25
5A1-35	Mixing the epoxy.	5A1-28
5A1-36	Injecting epoxy into the terminus.	5A1-29
5A1-37	Inserting the fiber into the terminus.	5A1-29
5A1-38	Inserting a terminus in a cure adapter.	5A1-30
5A1-39	Termini in the curing oven.	5A1-30
5A1-40	Scoring the fiber.	5A1-31
5A1-41	Placing the terminus in the insertion tool.	5A1-31
5A1-42	Inserting the terminus in the polishing tool.	5A1-32
5A1-43	Removing the terminus from the polishing tool.	5A1-33
5A1-44	Quality check.	5A1-33
5A1-45	Installing the terminus in the insert.	5A1-34
5A1-46	Installing the alignment sleeve.	5A1-34
5A1-47	Removing the terminus from the insert.	5A1-35
5B1-1	Installing the identification sleeve and connector boot - (typical)	5B1-2
5B1-2	Prepared OFCC dimensions.	5B1-3
5B1-3	Mixing the epoxy.	5B1-3
5B1-4	Injecting epoxy into the connector.	5B1-4
5B1-5	Applying epoxy to the connector barrel.	5B1-4
5B1-6	Inserting the fiber into the connector.	5B1-5
5B1-7	Sliding the crimp sleeve over the connector barrel.	5B1-5
5B1-8	Crimping the connector.	5B1-5
5B1-9	Scoring the fiber.	5B1-7
5B1-10	Inserting the connector into the polishing tool.	5B1-7
5B1-11	Polishing the connector.	5B1-8
5B1-12	Quality check.	5B1-8
5C1-1	Injecting adhesive into the ferrule.	5C1-3
5C1-2	Inserting the fiber into the ferrule.	5C1-3
5C1-3	Positioning the curing lamp.	5C1-4
5C1-4	Scoring the fiber.	5C1-5
5C1-5	Removing the excess adhesive.	5C1-5
5C1-6	Polishing the ferrule.	5C1-6
5C1-7	Quality check.	5C1-6

MIL-STD-2042-5A(SH)

1. SCOPE

1.1 Scope. This standard practice provides detailed methods for installing fiber optic cable connectors and interconnecting devices.

1.1.1 Applicability. These criteria apply to installations on specific ships when invoked by the governing ship specification or other contractual document. They are intended primarily for new construction; however, they are also applicable for conversion or alteration of existing ships. The rapidly changing state of the art in fiber optic technology makes it essential that some degree of flexibility be exercised in enforcing this document. Where there is a conflict between this document and the ship specification or contract, the ship specification or contract shall take precedence. Where ship design is such that the methods herein cannot be implemented, users shall submit new methods or modifications of existing methods to NAVSEA 03K12 for approval prior to implementation.

MIL-STD-2042-5A(SH)

2. REFERENCED DOCUMENTS

2.1 General. The documents listed in this section are specified in sections 3, 4 and 5 of this standard. This section does not include documents cited in other sections of this standards or recommended for additional information or as examples. While every effort has been made to ensure the completeness of this list, document users are cautioned that they must meet all specified requirements documents cited in sections 3, 4 and 5 of this standard, whether or not they are listed.

2.2 Government documents.

2.2.1 Specifications, standards and handbooks. The following specifications, standards and handbooks form a part of this document to the extent specified herein. Unless otherwise specified, the issues of these documents are those listed in the Department of Defense Index of Specifications and Standards (DODISS) and supplements thereto, cited in the solicitation (see 6.2).

DEPARTMENT OF DEFENSE SPECIFICATIONS

- | | |
|-------------|------------------------------------------------------------------------------------------------------------------------|
| MIL-S-24623 | - Splice, Fiber Optic Cable, General Specification for (Metric). |
| MIL-A-24792 | - Adhesive, Epoxy, Two Part, Fiber Optics. |
| MIL-A-24793 | - Adhesive, UV Curable, One Part, Fiber Optics. |
| MIL-M-24794 | - Material, Index Matching, Fiber Optics. |
| MIL-C-28876 | - Connectors, Fiber Optic, Circular, Plug and Receptacle Style, Multiple Removable Termini, General Specification for. |
| MIL-T-29504 | - Termini, Fiber Optic Connector, Removable, General Specification for. |
| MIL-C-83522 | - Connectors, Fiber Optic, Single Terminus, General Specification for. |

DEPARTMENT OF DEFENSE STANDARDS

- | | |
|----------------|-------------------------------------------------------------------------------------------------------------|
| MIL-STD-2042-1 | - Fiber Optic Cable Topology Installation, Standard Methods for Naval Ships (Cables)(Part 1 of 6 Parts). |
| MIL-STD-2042-2 | - Fiber Optic Cable Topology Installation, Standard Methods for Naval Ships (Equipment)(Part 2 of 6 Parts). |
| MIL-STD-2042-6 | - Fiber Optic Topology Installation, Standard Methods for Naval Ships (Tests)(Part 6 of 6 Parts). |

(Unless otherwise indicated, copies of the above specifications, standards, and handbooks are available from the Standardization Documents Order Desk, 700 Robbins Ave, Building 4D, Philadelphia, PA, 19111-5094.)

2.2.2 Other Government documents. The following other Government documents form a part of this document to the extent specified herein. Unless otherwise specified, the issues are those cited in the solicitation.

DEPARTMENT OF DEFENSE DRAWINGS

- | | |
|----------------|---------------------------------------------------------------|
| NAVSEA Drawing | - 6872811 Tool Kit, MIL-C-83522, Fiber Optic, Navy Shipboard. |
| | - 6872812 Tool Kit, MIL-S-24623, Fiber Optic, Navy Shipboard. |
| | - 6872813 Tool Kit, MIL-C-28876, Fiber Optic, Navy Shipboard. |

(Copies of documents should be obtained from the contracting activity or as directed by the contracting officer.)

2.3 Non-Government publications. The following documents form a part of this document to the extent specified herein. Unless otherwise specified, the issues of the documents which are DOD adopted are those listed in the issue of the DODISS cited in the solicitation. Unless otherwise specified, the issues of documents not listed in the DODISS are the issues of the documents cited in the solicitation (see 6.2).

MIL-STD-2042-5A(SH)

AMERICAN NATIONAL STANDARDS INSTITUTE (ANSI)

ANSI Z136.2 - Safe Use of Optical Fiber Communication Systems
Utilizing Laser Diode and LED Sources

(Application for copies should be addressed to the American National Standards Institute, 1430 Broadway, New York, NY 10018-3308.)

ELECTRONICS INDUSTRY ASSOCIATION/TELECOMMUNICATIONS INDUSTRY ASSOCIATION

EIA/TIA-440 - Fiber Optic Terminology.

(Application for copies should be addressed to Global Engineering Documents, 1990 M Street NW, Suite 400, Washington, DC 20036.)

2.4 Order of precedence. In the event of a conflict between the text of this document and the references cited herein, the text of this document takes precedence. Nothing in this document, however, supersedes applicable laws and regulations unless a specific exemption has been obtained.

MIL-STD-2042-5A(SH)

3. DEFINITIONS

3.1 General fiber optics terms. Definitions for general fiber optics terms used in this standard practice are in accordance with EIA/TIA-440. Definitions for other terms as they are used in this standard practice are given in the following paragraphs.

3.2 Authorized approval. Authorized approval is written approval from the cognizant Government activity.

3.3 End user equipment. End user equipment refers to any cabinet, case, panel, or device, that contains components that are either the origin or destination of an optical signal.

3.4 Fiber optic cable topology. The fiber optic cable topology consists of fiber optic interconnection boxes, outlets, trunk and local cables and the connectors and splices used to interconnect the trunk and local cables.

3.5 Installing activity. An installing activity is any military, commercial, or industrial organization involved with the installation of fiber optic cable topologies aboard Naval ships.

3.6 Local cable. A local cable is a fiber optic cable that provides a continuous optical path between an interconnection box (or outlet) and an end user equipment, or between an interconnection box and an outlet, and is typically not run through the main cableways.

3.7 Optical fiber cable component (OFCC). An OFCC is a buffered fiber augmented with a concentric layer of strength members and an overall jacket.

3.8 Outlet. An outlet is a small termination box used to break out a local cable from an interconnection box to one or more equipments in a compartment or area.

3.9 Trunk cable. A trunk cable is a fiber optic cable that provides a continuous optical path between interconnection boxes. Typically, trunk cables are run in the main cableways and have higher fiber counts per cable than local cables.

MIL-STD-2042-5A(SH)

4. GENERAL REQUIREMENTS

4.1 Fiber optic cable interconnection. Fiber optic cable interconnection within the fiber optic cable topology (see 3.4) shall be made by fiber optic connectors or fiber optic splices.

4.1.1 Interconnection component selection. The interconnection component shall be that referenced in ship specifications and drawings. In those instances where the installing activity (see 3.5) is responsible for determining the correct components, they shall be selected in accordance with 4.2 and 4.3. Termination of the various categories of fibers shall be in accordance with Part 1 of this standard practice.

4.2 Fiber connectors. Fiber optic connectors shall be as follows:

- a. Single terminus (light duty) connectors in accordance with MIL-C-83522/16 shall be used to interconnect two optical fiber cable components (OFCC's) inside an interconnection box or equipment.
- b. Multiple terminus (heavy duty) connectors in accordance with MIL-C-28876 shall be used for end user equipment (see 3.3) hookup. Plug connectors with inserts configured for pin termini shall be used on shipboard cabling. Receptacle connectors with inserts configured for socket termini shall be used on equipments. Plug connectors shall have backshells with integral strain relief. Receptacle connectors should be configured without backshells. Receptacle connectors should be configured with insert retention nuts.

4.2.1 Installation. Connectors shall be installed on cables in accordance with the methods herein and as follows:

- a. The hookup configuration of a heavy duty connector (pin destinations) shall be in accordance with the approved drawings.
- b. Where a heavy duty connector is installed on the end of a cable, the optical fibers shall be connected to pin termini in a plug style connector. Every terminus position shall have either an optical or dummy terminus in accordance with MIL-T-29504/3, /14 or /15.
- c. Only receptacle style heavy duty connectors shall be used on equipment. Only socket type termini in accordance with MIL-T-29504/15 shall be used in receptacle style heavy duty connectors.

4.3 Fiber optic splices. Fiber optic splices shall be in accordance with MIL-S-24623/4. The mechanical splice is primarily used as an interconnection similar to the light duty connector in 4.2(a) except that the splice interconnection is less robust and typically induces less loss in the optical link. The method described herein applies to the mechanical splice used as a normal interconnection between cables.

4.3.1 Installation. Fiber optic splice ferrules shall be installed on buffered fibers in accordance with the methods herein and as follows:

- a. The splice ferrules shall be mated, aligned and installed in the splice tray in accordance with the methods in Part 2 of this standard practice.
- b. Splices shall be located only inside the interconnection box or equipment.

4.4 Tests. Following installation, testing of all components of the fiber optic cable topology shall be in accordance with Part 6 of this standard practice.

4.5 Safety precautions. The following safety precautions apply:

- a. Observe all written safety precautions given in the methods of this standard practice.
- b. Observe all warning signs on equipment and materials.
- c. The classification of a laser is based on the ability of the optical beam to cause damage to the eye. Under normal operating conditions, an optical fiber communication system (OFCS) is inherently an eye safe system; but, when an optical fiber connection is broken and optical viewing instruments are used, it is possible that hazardous energy can enter the eye. For this reason four service group hazard classes have been devised to indicate the degree of hazard and required hazard control measures. Refer to ANSI Z136.2 for a full technical definition. The following laser safety precautions shall apply:

- (1) Ensure personnel are familiar with the laser degree of hazard and the required control measures.

MIL-STD-2042-5A(SH)

- (2) Light generated by light emitting diodes (LED's) and laser diodes may not be visible but may still be hazardous to the unprotected eye. Never stare into the end of an optical fiber connected to an LED or laser diode and do not stare into broken, severed or disconnected optical cables.
- (3) Do not view the primary beam or a specular reflection from an OFCS with an optical microscope, eye loupe or other viewing instrument. The instrument may create a hazard due to its light gathering capability.
- d. Safety glasses shall be worn when handling bare fibers. Always handle cable carefully to avoid personal injury. The ends of optical fibers may be extremely sharp and can lacerate or penetrate the skin or cause permanent eye damage if touched. If the fiber penetrates the skin, it most likely will break off, in which case the extraction of the fiber should be performed by trained medical personnel to prevent further complications.
- e. Wash hands after handling bare fibers or performing fiber terminations.
- f. Ultraviolet (UV) safety glasses shall be worn when using the UV curing lamp.

MIL-STD-2042-5A(SH)

5. DETAILED REQUIREMENTS

5.1 Heavy duty connector installation. Installation of the MIL-C-28876 heavy duty connector on fiber optic cable shall be in accordance with Method 5A1. There are three basic connector rear end configurations; with removable backshell, with non removable backshell, and with insert retention nut.

5.1.1 Heavy duty connectors with removable backshells. Connectors with removable backshells are described with the basic Military Part Numbers M28876/1, M28876/6, and M28876/11. These connectors do not contain an integral backshell with strain relief and must be assembled to a backshell during installation. Backshells with strain relief for use with these connectors are described with the basic Military Part Numbers M28876/27, M28876/28, and M28876/29. Method 5A1-1 shall be used to install the connector and the backshell on the cable for these connectors.

5.1.2 Heavy duty connectors with non-removable backshells. Connectors with non-removable backshells are described with the basic Military Part Numbers M28876/2, M28876/3, M28876/4, M28876/7, M28876/8, M28876/9, M28876/12, M28876/13, and M28876/14. These connectors contain an integral backshell with strain relief. Method 5A1-2 shall be used to install the connector on the cable for these connectors.

5.1.3 Heavy duty connectors with insert retention nuts. Connectors with insert retention nuts are also described with the basic Military Part Numbers M28876/1 and M28876/11. These connectors do not contain an integral backshell with strain relief and are not required to be assembled to a backshell during installation. These connectors are for use in situations where strain relief is not required (for example, the equipment side of a equipment fiber optic interface.) Method 5A1-3 shall be used to install the connector within the equipment for these connectors.

5.2 Light duty connector installation. Light duty connectors in accordance with MIL-C-83522/16 shall be installed on fibers in accordance with Method 5B1.

5.3 Mechanical (rotary) splice installation. Mechanical (rotary) splice ferrules shall be installed on fibers in accordance with Method 5C1. Assembly of the splice shall be in accordance with Method 2D1 in Part 2 of this standard practice.

MIL-STD-2042-5A(SH)

6. NOTES

(This section contains information of a general or explanatory nature that may be helpful, but is not mandatory.)

6.1 Intended use. The methods for installation of connectors and interconnections depicted in this standard practice are intended primarily for new construction; however, they are applicable for conversion or alteration of existing ships.

6.2 Issue of DODISS. When this standard practice is used in acquisition, the applicable issue of DODISS must be cited in the solicitation (see 2.2.1).

6.3 Standard method designation. To simplify the usage of this standard practice, an alpha-numeric designation system was developed to identify and locate a given method. The methods were grouped together by function as follows:

Group A:	Multiple terminus connector installation
B:	Single terminus connector installation
C:	Mechanical splice ferrule installation

Then the designation system was completed as follows:

$\frac{5}{\times}$	$\frac{A}{\times}$	$\frac{1}{\times}$	-	$\frac{2}{\times}$	
*	*	*		*	
*	*	*		*	
*	*	*		.))))))	Alternate procedures within method
*	*	.))))))		.))))))	Method number within group
*	.))))))			.))))))	Functional group
.))))))				.))))))	MIL-STD-2042 Part number

Thus, method 5A1-2 identifies the second alternate procedure within method 1 of group A in Part 5 (MIL-STD-2042-5) of MIL-STD-2042.

6.4 Subject term (key word) listing.

Fiber optic cable interconnection
 Fiber optic connectors
 Fiber optic splices
 Safety

Preparing activity:
 NAVY - SH
 (Project GDRQ-N169-5)

MIL-STD-2042-5A(SH)

METHOD 5A1

MULTIPLE TERMINUS CONNECTOR INSTALLATION

1. SCOPE.

1.1 Scope. This method describes a procedure for installing MIL-C-28876 multiple terminus (heavy duty) connectors on fiber optic cable. Method 5A1-1 covers connectors with removable backshells, method 5A1-2 covers connectors with non-removable backshells, and method 5A1-3 covers connectors with insert retention nuts. (See paragraph 5.1 of this standard practice for more detail.)

2. REQUIRED EQUIPMENT AND MATERIALS.

2.1 The equipment and materials in the tables located in the applicable sections of this method shall be used to perform these procedures.

3. PROCEDURES.

3.1 Safety summary. The following safety precautions shall be observed:

- a. Safety glasses shall be worn at all times when handling bare fibers or dispensing epoxy.
- b. Do not touch the ends of the fiber as they may be razor sharp. Wash your hands after handling bare fiber.
- c. Avoid skin contact with epoxies.
- d. Do not stare into the end of a fiber until verifying that the fiber is not connected to a laser light source or LED.

3.2 Procedure I. Method 5A1-1 Installation of connectors with removable backshells
This method shall be used to install connectors with part numbers M28876/1, M28876/6 and M28876/11 configured without insert retention nuts and backshells with part numbers M28876/27, M28876/28 and M28876/29 onto fiber optic cables.

3.2.1 Equipment and materials. The equipment and materials in table 5A1-I shall be used to perform this procedure:

TABLE 5A1-I. Equipment and materials.

Description	Quantity
Wipes (NAVSEA DWG 6872813-22 or equal)	As required
Ruler	1
Alcohol bottle with alcohol/2-propanol or equal (sealable type)	1
Canned air or compressed air	As required
Cable jacket stripping tool (NAVSEA DWG 6872813-8 or equal)	1
Masking tape	As required
Kevlar shears (NAVSEA DWG 6872813-16 or equal)	1
OFCC strip tool (NAVSEA DWG 6872813-10 or equal)	1
Safety glasses	1
Buffer strip tool (NAVSEA DWG 6872813-9 or equal)	1
Cleaning wire (NAVSEA DWG 6872813-32 or equal)	As required
Epoxy (MIL-A-24792)	As required
Syringe with dispensing needles (NAVSEA DWG 6872813-27 or equal)	As required
Crimp tool (NAVSEA DWG 6872813-17 or equal)	1
Razor blade	1
Cure adapters (NAVSEA DWG 6872813-19 or equal)	As required
Curing oven (NAVSEA DWG 6872813-19 or equal)	1

MIL-STD-2042-5A(SH)

TABLE 5A1-I. Equipment and materials - continued.

Description	Quantity
Cable stand (NAVSEA DWG 6872813-19 or equal)	1
Cable stand ring (NAVSEA DWG 6872813-19 or equal)	1
Cable clip (NAVSEA DWG 6872813-19 or equal)	1
Cleaver (NAVSEA DWG 6872813-7 or equal)	1
Polishing paper (5 μ m aluminum oxide, foam backed) (NAVSEA DWG 6872813-24 or equal)	As required
Polishing tool ceramic termini (NAVSEA DWG 6872813-18 or equal)	1
Terminus insertion tool (NAVSEA DWG 6872813-2 or equal)	1
Terminus insertion tool 90° (NAVSEA DWG 6872813-15 or equal)	1
Glass polishing plate (NAVSEA DWG 6872813-3 or equal)	1
7X eye loupe	1
Polishing paper (1 μ m aluminum oxide, mylar backed) (NAVSEA DWG 6872813-23 or equal)	As required
Water bottle (sealable type)	1
Terminus removal tool (NAVSEA DWG 6872813-6 or equal)	1
Optical microscope 400X (NAVSEA DWG 6872813-28 or equal)	1
Alignment sleeve insertion and removal tool (ceramic termini)(NAVSEA DWG 6872813-4 or equal)	1
Loctite or equal	As required
"O"-ring lubricant (Bray Cote 609 or equal)	As required
Adjustable wrench	1
Backshell grip	1
Protective caps (plastic)	As required

CAUTION: Throughout the termination process, cleanliness is critical to obtaining a high optical quality connector. Make sure that your hands and the work area are as clean as possible to minimize the ingress of dirt into the connector parts.

NOTE: Verify that the epoxy shelf life has not expired. Do not use epoxy with an expiration date that has passed.

3.2.2 Cable and fiber preparation.

- Step 1 - Ensure the cable is the correct type as specified on the applicable cable diagram.
- Step 2 - Measure the cable to the required length. Then add sufficient slack to allow for at least two reterminations [191 mm (7.5 inches) of slack should be sufficient for one retermination].
- Step 3 - Clean the outer cable jacket that will be in contact with the connector and backshell with a wipe dampened with alcohol and blow it dry with air.

NOTE: Keep the cable and connector parts free from oil, dirt and grease throughout the installation procedure. If cleaning is necessary, use a wipe dampened with alcohol and blow the part dry with air.

- Step 4 - Slide the backshell parts onto the cable in the order indicated below (see figure 5A1-1).
- a. Backnut
 - b. "O"-ring

MIL-STD-2042-5A(SH)

- c. Spacer
- d. Ferrule (kevlar grip)
- e. Sheath (ensure "O"-rings are in place)
- f. Backshell body

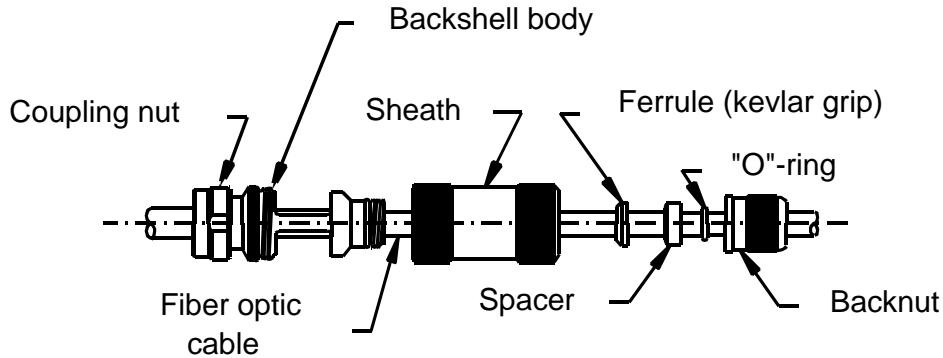


FIGURE 5A1-1. Backshell parts on the cable (straight backshell).

- Step 5 - Mark the cable jacket approximately 191 mm (7.5 inches) from the end and strip back the outer cable jacket to the mark using the cable stripper. Fold back the kevlar strength members and temporarily tape them to the cable outer jacket.

CAUTION: Do not cut or nick OFCC jackets.

Cut off the exposed central member and any fillers using the kevlar shears.

- Step 6 - Remove any water blocking material, clean the OFCC's using a wipe dampened with alcohol and blow them dry with air.
- Step 7 - Trim the OFCC's to dimension A in table 5A1-II using the kevlar shears (see figure 5A1-2).

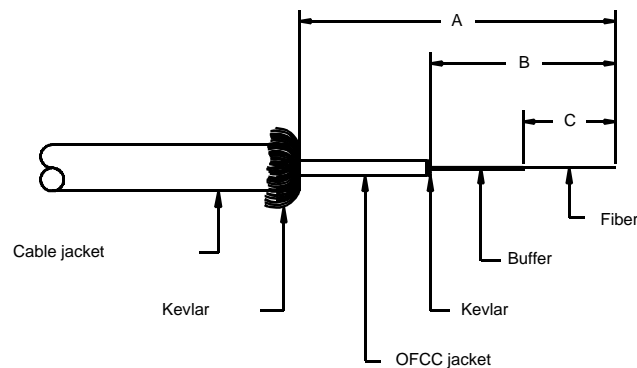


FIGURE 5A1-2. Cable stripping dimensions.

- Step 8 - Feed each OFCC into a crimp sleeve and slide the sleeve back from the end of the OFCC. (NOTE: Only use crimp sleeves intended for termini. Do not use crimp sleeves intended for other types of connectors. The standard crimp sleeve for the terminus may be oriented in either direction.)
- Step 9 - Remove the OFCC jackets back to dimension B in table 5A1-II using the OFCC stripper and trim the OFCC kevlar so that approximately 3 mm (0.12 in) extends past the OFCC jacket.

MIL-STD-2042-5A(SH)

TABLE 5A1-II. Cable stripping dimensions.

Connector shell size	Backshell configuration	Dimensions mm (in)					
		Long Backshell			Short Backshell		
		A	B	C	A	B	C
13	Straight	135 (5.3)	30 (1.2)	19 (0.75)	117 (4.6)	30 (1.2)	19 (0.75)
	45°	150 (5.9)	30 (1.2)	19 (0.75)	130 (5.1)	30 (1.2)	19 (0.75)
	90°	150 (5.9)	30 (1.2)	19 (0.75)	130 (5.1)	30 (1.2)	19 (0.75)
15	Straight	161 (6.3)	30 (1.2)	19 (0.75)	135 (5.3)	30 (1.2)	19 (0.75)
	45°	155 (6.1)	30 (1.2)	19 (0.75)	130 (5.1)	30 (1.2)	19 (0.75)
	90°	155 (6.1)	30 (1.2)	19 (0.75)	130 (5.1)	30 (1.2)	19 (0.75)

Step 10 - **WARNING:** Wear safety glasses when removing the fiber buffer and coating to avoid possible eye injury.

Remove the fiber buffers and coatings back to dimension C in table 5A1-II using the buffer stripper. Remove the buffer and coating in small sections (approximately 6 mm (0.25 in) at a time.) (NOTE: Normally, the buffer and coating are tightly adhered to one another and come off of the fiber at the same time.)

MIL-STD-2042-5A(SH)

- Step 11 - **CAUTION:** The uncoated fiber is in its most vulnerable state. Take extreme care not to damage the fiber. Breakage of any one fiber from this point until the connector is completely assembled will require repetition of this and the following steps in order to maintain approximately equal length of all the fibers in the cable.

Remove any residual coating material from the bare fibers with a wipe dampened with alcohol. Wipe only once from the end of the buffer towards the end of the fiber. (NOTE: Do not repeatedly wipe the bare fiber as this will weaken the fiber.)

3.2.3 Installation of the termini onto the fibers.

NOTE: This procedure describes the process for installing ceramic termini onto either multimode or single-mode fibers. The termini use epoxy to secure the fiber and a crimp sleeve to capture the kevlar strength members of the OFCC's.

- Step 1 - Turn on the curing oven so that it attains the proper temperature before the termini are placed within it (approximately 20 minutes).
- Step 2 - Inspect the terminus and verify that the ferrule hole is free and clean of dirt. This can be accomplished by holding the front of the terminus up to a light and verifying that the light is visible from the rear of the terminus. If light cannot be seen through the terminus, push music wire through the terminus hole to clear it. Then blow dry air through the hole to remove any debris.
- Step 3 - Remove the divider from a 2-part epoxy package and mix the two parts together until the epoxy is a smooth uniform color (see figure 5A1-3). The epoxy can be mixed by either repeatedly rolling the divider over the package or gently sliding the divider over the package.

NOTE: Alternatively, the epoxy may be mixed by massaging the epoxy package by hand.

CAUTION: Do not introduce large air bubbles into the epoxy during the mixing process. Large air bubbles in the epoxy can lead to connector failure during temperature extremes.

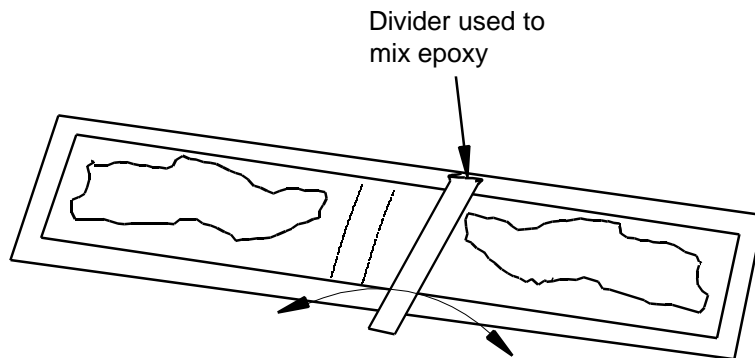
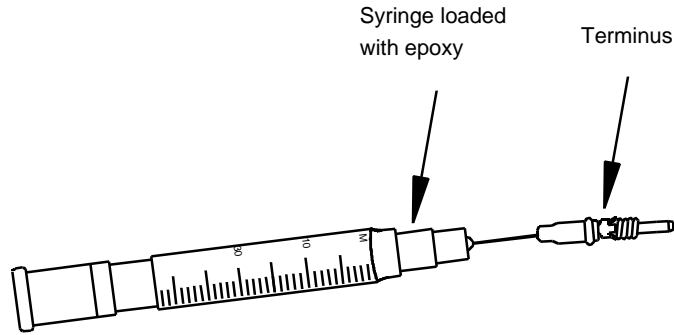


FIGURE 5A1-3. Mixing the epoxy.

- Step 4 - Install the syringe tip on the syringe, remove the plunger, and squeeze the epoxy into the syringe. Replace the plunger.
- Step 5 - **WARNING:** Wear safety glasses while dispensing the epoxy to avoid possible eye injury.
- Remove air pockets in the syringe by holding the tip of the syringe upward and dispensing epoxy onto a wipe until it runs free and clear.
- Step 6 - Slide the terminus, rear first, onto the syringe tip (see figure 5A1-4). Keeping the syringe vertical, depress the plunger and slowly inject epoxy into the terminus until it escapes out of the ferrule, forming a very small bead. (NOTE: Do not overfill. Be extremely careful not to get epoxy on the pin spring or other terminus moving parts.)

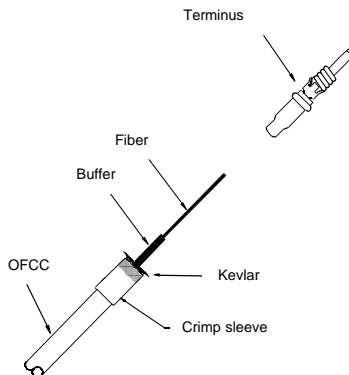
MIL-STD-2042-5A(SH)

FIGURE 5A1-4. Injecting epoxy into the terminus.

- Step 7 - Withdraw the syringe from the terminus. Maintain some pressure on the plunger as the syringe is withdrawn so that the terminus is completely filled with epoxy. Using a wipe dampened with alcohol, wipe away any epoxy on the outer diameter of ferrule without disturbing the epoxy bead.

NOTE: Alternatively, the terminus may be completely filled by maintaining a light pressure on the syringe plunger and allowing the epoxy to push the terminus off of the syringe tip.

- Step 8 - Feather the kevlar evenly around the fiber and insert the fiber into the rear of the terminus (see figure 5A1-5). Gently work the fiber through the terminus until the buffer seats against the rear of the ferrule. The OFCC jacket should come up to the rear of the terminus and the kevlar should surround the rear of the terminus. Once inserted, do not allow the fiber to slip back.

FIGURE 5A1-5. Inserting the fiber into the terminus.

- Step 9 - Slide the crimp sleeve over the kevlar and crimp it to the rear of the terminus using the crimp tool. (NOTE: A small amount of epoxy may be added on the kevlar near the rear of the terminus before the crimp sleeve is installed. However, no epoxy should be visible once the crimp sleeve is installed.)
- Step 10 - Verify that the kevlar does not protrude excessively from under the crimp sleeve. Excessive kevlar protrusion will cause the terminus to not seat properly in the finished connector. If excessive kevlar protrudes from under the crimp sleeve, trim it back using a razor blade.
- Step 11 - Verify that there is a small amount of epoxy around the fiber where it protrudes from the ferrule. If it is found that there is no small bead of epoxy on the terminus tip, carefully add a small amount of epoxy around the fiber. (NOTE: There should only be a small amount of epoxy around the fiber to support it later during the polishing process. If too much epoxy is around the fiber during the curing process it may cause the fiber to crack.)

MIL-STD-2042-5A(SH)

- Step 12 - Using a wipe dampened with alcohol, carefully wipe away any excess epoxy on the fiber that is more than 2 mm (0.08 in) from the ferrule tip surface.
- Step 13 - Insert the terminus into the cure adapter until it snaps into place (see figure 5A1-6).

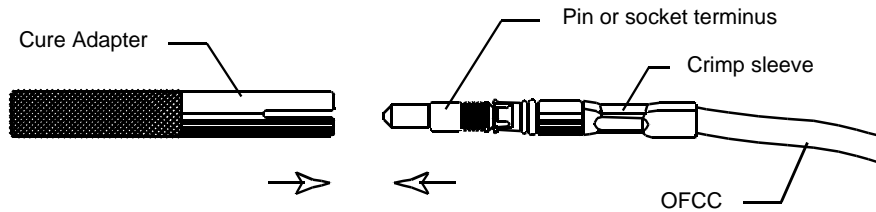


FIGURE 5A1-6. Inserting a terminus in a cure adapter.

- Step 14 - Repeat steps 2 through 13 for each fiber to be terminated.
- Step 15 - Place the cure adapters in the curing oven, and position the cable vertically over the oven using the cable stand, cable stand ring and cable clip (see figure 5A1-7). Cure the epoxy for a minimum of 10 minutes (maximum of 30 minutes) at 120°C (248°F). (NOTE: When the cable is positioned above the terminus, make sure that no bends are placed in the OFCCs. Each OFCC should enter the terminus parallel to the terminus.)

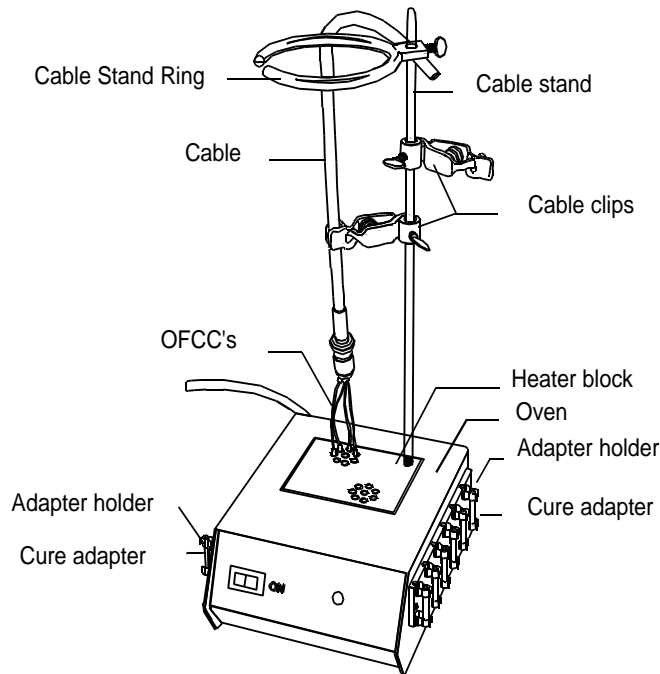


FIGURE 5A1-7. Termini in the curing oven.

- Step 16 - Turn the curing oven off and remove the cure adapters and termini from the curing oven. Allow the cure adapters and termini to cool for approximately 4 minutes.

3.2.4 Polishing the fiber ends. Procedures for hand polishing are contained herein. Machine polishing may be used as an alternate method, provided the following requirements are satisfied:

MIL-STD-2042-5A(SH)

- a. The manufacturer's instructions will be rigidly adhered to, except that the polishing papers or disks shall be aluminum oxide 5 μm foam backed and 1 μm mylar backed, as used in hand polishing. (NOTE: Alternate polishing materials may be used if authorized approval is obtained and the polishing machine includes the appropriate stops to prevent changes to the ferrule length.)
- b. The machine polished terminus shall undergo the same quality check used for the manually polished terminus as described herein.

NOTE: The procedures contained herein should produce an optical terminus with a physical contact (PC) polish.

- Step 1 - **WARNING:** Wear safety glasses when scoring the fiber to avoid possible eye injury.

Remove the terminus from the cure adapter and score the fiber close to the terminus tip at the epoxy interface using one short light stroke with cleaving tool (see figure 5A1-8). (NOTE: Do not break the fibers with the cleaving tool.) Pull off each fiber with a gentle, straight pull. Deposit the waste fiber in a trash container.

NOTE: The termini not being polished should be left in the cure adapters during the polishing process to protect the fibers from breakage.

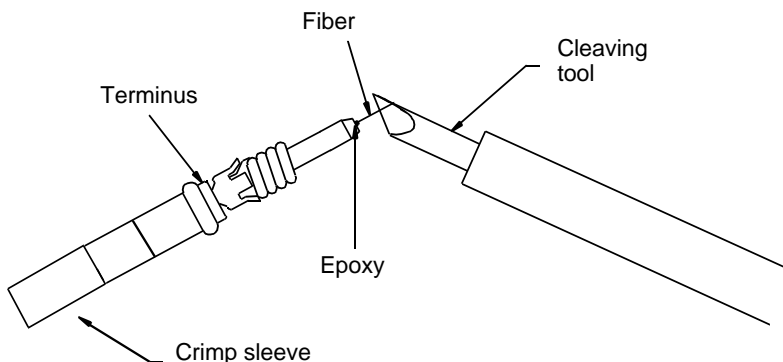


FIGURE 5A1-8. Scoring the fiber.

NOTE: Before inserting the terminus into the polishing tool, the terminus may be held vertically and the end of the fiber polished off by lightly running the 5 μm polishing paper over the top of the terminus tip. (This is referred to as air polishing the terminus.)

- Step 2 - Rotate the top half of the polishing tool 90 degrees counterclockwise and separate the top from the base.
- Step 3 - Place the end of the terminus insertion tool at the rear of the crimp sleeve with the OFCC laid in the tool channel (see figure 5A1-9).

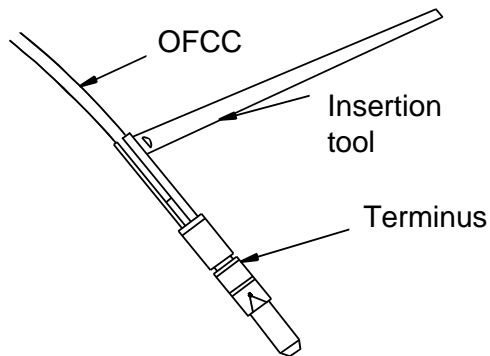


FIGURE 5A1-9. Placing the terminus in the insertion tool.

MIL-STD-2042-5A(SH)

- Step 4 - Insert the terminus into the center of the polishing tool top. Apply pressure with the insertion tool until the terminus snaps into place. Remove the tool by pulling straight back (see figure 5A1-10). (NOTE: Difficulty in inserting the terminus into the polishing tool may indicate epoxy on outside of the terminus which must be removed before proceeding.)

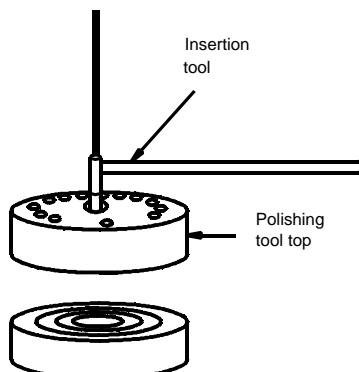


FIGURE 5A1-10. Inserting the terminus in the polishing tool.

- Step 5 - Install the top half of the polishing tool on the bottom half and rotate it clockwise (90 degrees) until it locks in place.
- Step 6 - Clean the glass polishing plate, the backs of the polishing papers, and the surface of the polishing tool using a wipe dampened with alcohol. Blow all of the surfaces dry with air.
- Step 7 - Place the 5 μm polishing paper on the glass plate and start polishing the terminus with very light pressure (the weight of the tool) using a figure-8 motion. Do not overpolish the terminus. (NOTE: The first polish is complete when all of the epoxy is gone from the tip of the terminus.) Since the polishing time varies with the amount of epoxy present on the tip of the terminus, inspect the terminus tip frequently. Whenever the polishing tool is lifted, remove the grit from the tool and the terminus with air. When polishing is complete, clean the terminus and the polishing tool using a wipe dampened with alcohol and blow them dry with air. Perform a rough inspection of the ferrule end using the eye loop.
- Step 8 - Replace the 5 μm paper with the 1 μm paper. Wet the paper and polish the terminus with very light pressure using a figure-8 motion for 10 to 20 complete motions.
- Step 9 - Rotate the top of the polishing tool counterclockwise (90 degrees) and separate the top from the base. Insert the terminus removal tool into the bottom of the terminus cavity of the polishing tool top and press on the hilt of the removal tool until the tool clicks into place (see figure 5A1-11). Depress the plunger and slide the terminus out of the polishing tool. Clean the terminus and the polishing tool with a wipe dampened with alcohol and blow them dry with air.

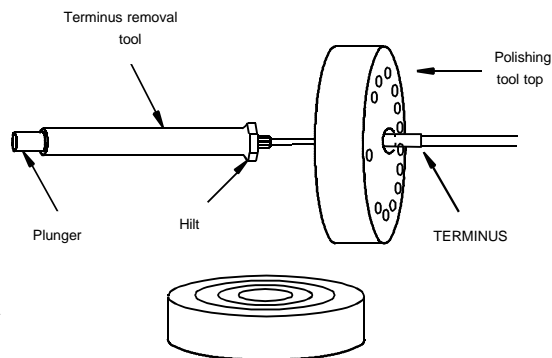


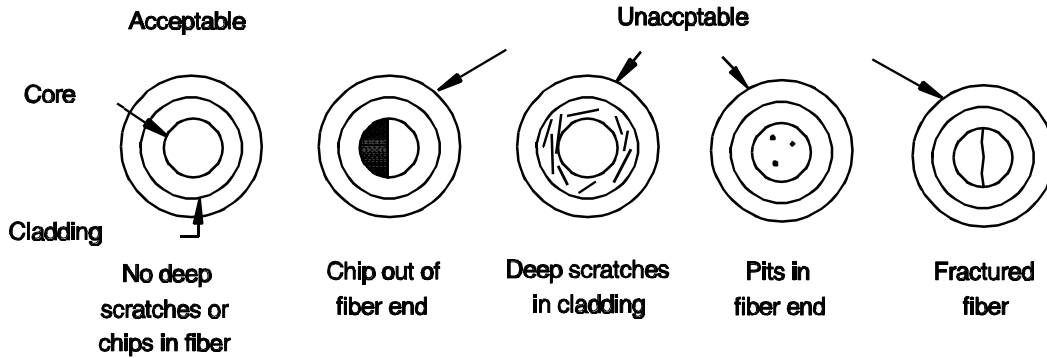
FIGURE 5A1-11. Removing the terminus from the polishing tool.

- Step 10 - Repeat steps 1 through 9 for all of the termini.

MIL-STD-2042-5A(SH)

3.2.5 Quality check.

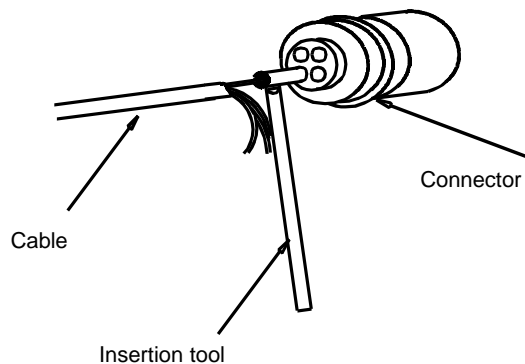
- Step 1 - Examine the terminus with the optical microscope to ensure that the optical surface is smooth and free of scratches, pits, chips, and fractures. If any defects are present, repeat steps 2 through 6, 8, and 9 or reterminate the fiber (see figure 5A1-12). (NOTE: Overpolishing the fiber will increase the optical loss of the terminus. Do not polish the terminus more than necessary to pass the quality check.) A high intensity back light may be used to illuminate the fiber during the quality check.

FIGURE 5A1-12. Quality check.3.2.6 Installation of the terminus into the connector insert.

NOTE: The termini may be installed before or after the connector backshell has been assembled onto the connector shell. If the connector backshell has been assembled to the connector shell, the backshell sheath must be removed in order to install the termini.

- Step 1 - Place the end of the terminus insertion tool at the rear of the crimp sleeve with the OFCC laid in the tool channel (see figure 5A1-9).
- Step 2 - If it has not already been done, install the insert into the connector shell. (NOTE: Make sure that the insert key is properly aligned in the connector shell keyway before installing the insert.) Place the terminus in the proper cavity in the rear of the connector insert. Apply pressure with the insertion tool until the terminus snaps into place (see figure 5A1-13). Remove the tool by pulling straight back. (NOTE: A properly inserted terminus will have some axial "play" within the insert cavity.)

NOTE: A socket terminus, unlike a pin terminus, will require installation of the alignment sleeves after seating the terminus. Proceed to step 3 below for socket termini. For pin termini repeat steps 1 and 2 for the rest of the termini.

FIGURE 5A1-13. Installing the terminus in the insert.

MIL-STD-2042-5A(SH)

- Step 3 - Place the end of the socket terminus alignment sleeve installation and removal tool into the solid end of the alignment sleeve, depress the plunger to grasp the alignment sleeve, and press the sleeve into the socket terminus cavity in the face of the insert (see figure 5A1-14). Press until the sleeve snaps onto the groove on the ceramic terminus body.

CAUTION: Do not rotate the tool after the sleeve is installed in the insert.

Remove the tool by releasing the plunger and pulling straight back. Proceed to step 4 below.

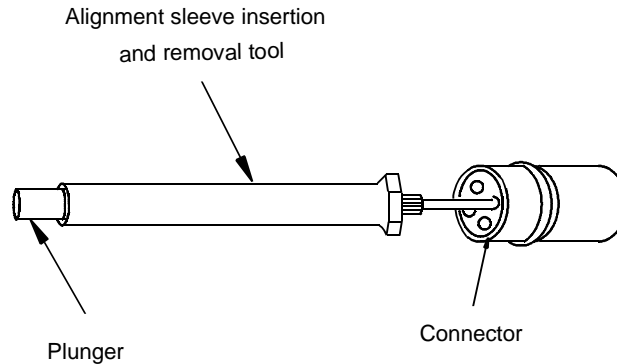


FIGURE 5A1-14. Installing the alignment sleeve.

- Step 4 - Repeat steps 1 through 3 for all of the termini.

3.2.7 Removal of the termini from the connector insert.

NOTE: Perform this procedure only if the termini are to be removed from the connector.

NOTE: Proceed to step 1 below for socket termini. Proceed to step 2 below for pin termini.

- Step 1 - **CAUTION:** Do not rotate the tool while the sleeve is in the insert.

Remove the alignment sleeves from the socket termini using the terminus alignment sleeve installation and removal tool by inserting the tool end into the alignment sleeve and depressing the plunger so that the tool grasps the sleeve lip. Pull the sleeve straight back. Proceed to step 2.

- Step 2 - Insert the terminus removal tool into the terminus cavity from the front of the insert and press on the hilt until it snaps into place (see figure 5A1-15). Depress the plunger to slide the terminus out the rear of the insert.

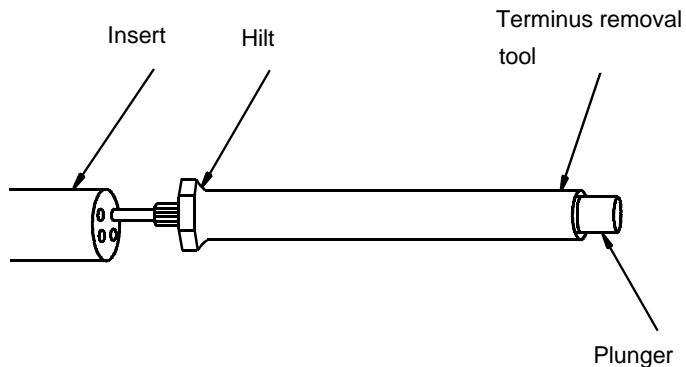


FIGURE 5A1-15. Removing the terminus from the insert.

MIL-STD-2042-5A(SH)

3.2.8 Assembly of backshell.

- NOTE: If the termini have been installed in the connector insert previously, take care to not pinch or twist the OFCCs during this procedure.
- Step 1 - Slide the backshell body forward and screw it onto the connector shell until tight. (NOTE: Loctite or a similar material may be used to secure the backshell body to the connector shell. If Loctite or a similar material is used, use it sparingly.)
- Step 2 - Remove the tape securing the kevlar strength members and slide the ferrule (kevlar grip) up to rear of backshell capturing the kevlar between the backshell and kevlar grip. Comb the kevlar over kevlar grip and retape the kevlar to the cable.
- Step 3 - Slide the spacer over the kevlar up to the rear of the kevlar grip.
- Step 4 - Remove the tape and trim the kevlar approximately 6 mm (0.25 in) behind the spacer using the kevlar shears.
- Step 5 - Apply O-ring lube to the O-ring and slide the O-ring up behind the spacer, keeping the kevlar strands between the O-ring and the spacer.
- Step 6 - Slide the backnut forward over the O-ring, spacer, and kevlar grip and screw it tightly to the backshell body (NOTE: Use an adjustable wrench on the backshell body flats and the backshell grip on the backnut. Use care to not nick or scratch the backshell coating during assembly.)
- Step 7 - Apply O-ring lube to the O-rings on the sheath and slide the sheath forward and screw it onto the backshell body until it is tight.
- Step 8 - Install the plastic protective cap over the front of the connector.

MIL-STD-2042-5A(SH)

3.3 Procedure II. Method 5A1-2 Installation of connectors with non removable backshells. This method shall be used to install connectors with part numbers M28876/2, M28876/3, M28876/4, M28876/7, M28876/8, M28876/9, M28876/12, M28876/13, and M28876/14 onto fiber optic cables.

3.3.1 The equipment and materials in table 5A1-III shall be used to perform this procedure:

TABLE 5A1-III. Equipment and materials.

Description	Quantity
Ruler	1
Wipes (NAVSEA DWG 6872813-22 or equal)	As required
Alcohol bottle with alcohol/2-propanol or equal (sealable type)	1
Canned air or compressed air	As required
Cable jacket stripping tool (NAVSEA DWG 6872813-8 or equal)	1
Masking tape	As required
"O"-ring lubricant (Bray Cote 609 or equal)	As required
O-ring tools (NAVSEA DWG 6872813-5 or equal)	As required
Spanner wrench (NAVSEA DWG 6872813-5 or equal)	1
Torque wrench adapters (NAVSEA DWG 6872813-5 or equal)	As required
Hex adapter (NAVSEA DWG 6872813-29)	1
Torque wrench (NAVSEA DWG 6872813-1 or equal)	1
Heat gun	1
Kevlar shears (NAVSEA DWG 6872813-16 or equal)	1
OFCC strip tool (NAVSEA DWG 6872813-10 or equal)	1
Safety glasses	1
Buffer strip tool (NAVSEA DWG 6872813-9 or equal)	1
Cleaning wire (NAVSEA DWG 6872813-32 or equal)	As required
Epoxy (MIL-A-24792)	As required
Syringe with dispensing needles (NAVSEA DWG 6872813-27 or equal)	As required
Crimp tool (NAVSEA DWG 6872813-17 or equal)	1
Razor blade	1
Cure adapters (NAVSEA DWG 6872813-19 or equal)	As required
Curing oven (NAVSEA DWG 6872813-19 or equal)	1
Cable stand (NAVSEA DWG 6872813-19 or equal)	1
Cable stand ring (NAVSEA DWG 6872813-19 or equal)	1
Cable clip (NAVSEA DWG 6872813-19 or equal)	1
Cleaver (NAVSEA DWG 6872813-7 or equal)	1
Polishing paper (5 μ m aluminum oxide, foam backed) (NAVSEA DWG 6872813-24 or equal)	As required
Polishing tool ceramic termini (NAVSEA DWG 6872813-18 or equal)	1
Terminus insertion tool (NAVSEA DWG 6872813-2 or equal)	1
Terminus insertion tool 90° (NAVSEA DWG 6872813-15 or equal)	1

MIL-STD-2042-5A(SH)

TABLE 5A1-III. Equipment and materials - continued.

Description	Quantity
Glass polishing plate (NAVSEA DWG 6872813-3 or equal)	1
7X eye loupe	1
Polishing paper (1 μ m aluminum oxide, mylar backed) (NAVSEA DWG 6872813-23 or equal)	As required
Water bottle (sealable type)	1
Terminus removal tool (NAVSEA DWG 6872813-6 or equal)	1
Optical microscope 400X (NAVSEA DWG 6872813-28 or equal)	1
Alignment sleeve insertion and removal tool (ceramic termini)(NAVSEA DWG 6872813-4 or equal)	1
Backshell grip	1
Adjustable wrench	1
Protective caps (plastic)	As required

CAUTION: Throughout the termination process, cleanliness is critical to obtaining a high optical quality connector. Make sure that your hands and the work area are as clean as possible to minimize the ingress of dirt into the connector parts.

NOTE: Verify that the epoxy shelf life has not expired. Do not use epoxy with an expiration date that has passed.

3.3.2 Cable preparation.

NOTE: The connector is received assembled with O-rings installed, with the exception of the kevlar retaining O-ring which is taped to the backshell exterior.

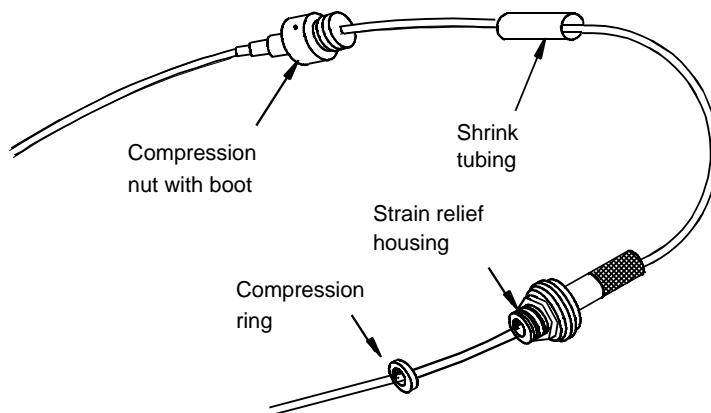
- Step 1 - Ensure cable is the correct type as specified on the applicable cable diagram.
- Step 2 - Measure the cable to the required length. Then add sufficient slack to allow for at least two reterminations [178 mm (7 inches) of slack should be sufficient for one retermination].
- Step 3 - Clean the outer cable jacket that will be in contact with the connector and backshell with a wipe dampened with alcohol and blow it dry with air.

NOTE: Keep the cable and connector parts free from oil, dirt, and grease throughout the installation procedure. If cleaning is necessary, use a wipe dampened with alcohol and blow the parts dry with air.

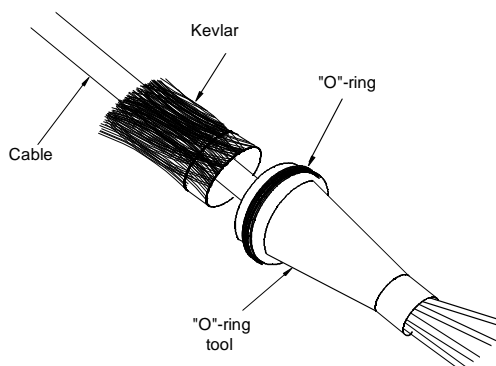
3.3.3 Securing the strain relief.

- Step 1 - Slide the strain relief onto cable in the order indicated (see figure 5A1-16):
- a. Compression nut with boot
 - b. Shrink tubing
 - c. Strain relief housing
 - d. Compression ring

MIL-STD-2042-5A(SH)

FIGURE 5A1-16. Strain relief parts on the cable.

- Step 2 - Mark the cable approximately 165 mm (6.5 in) from the end and strip back the outer cable jacket using the cable stripper. Fold back the kevlar strength members and temporarily tape them to the cable outer jacket. **CAUTION:** Do not cut or nick the OFCC jackets.
- Cut off the exposed central member and any fillers using the kevlar shears.
- Step 3 - Remove any water blocking material and clean the OFCC's using a wipe dampened with alcohol and blow them dry with air.
- Step 4 - Remove the tape from the kevlar strength members and fold them forward. Slide the compression ring to the end of the cable jacket. (NOTE: The grooved side of ring should face the strain relief housing.) Fold the kevlar strength members back over the compression ring and the cable in the direction of the strain relief housing.
- Step 5 - Remove the O-ring (taped to the backshell exterior) and apply O-ring lubricant. Place the O-ring on the O-ring installation tool by forcing the O-ring up the cone to the larger end of the tool.
- Step 6 - Slide the O-ring tool up the OFCCs (larger opening first) over the compression ring (and kevlar strength members) and force the O-ring over the compression ring onto the kevlar (see figure 5A1-17). Remove the O-ring tool.

FIGURE 5A1-17. Installing the O-ring.

- Step 7 - Fold the kevlar strength members forward over the O-ring and the compression ring. Tape the kevlar members to the OFCCs to ease the installation of the kevlar compression nut.
- Step 8 - Slide the strain relief housing up the cable to the compression ring. Gently feed the OFCCs and kevlar through the kevlar compression nut and

MIL-STD-2042-5A(SH)

- slide the nut up to the strain relief housing. Thread the compression nut onto the strain relief housing while pulling the kevlar taut.
- Step 9 - Tighten the kevlar compression nut to 2.75 Nm (25 inch-pounds) using the wrench, the torque adapter, the hex adapter, and the torque tool (see figure 5A1-18). Remove the wrench and the other tools.

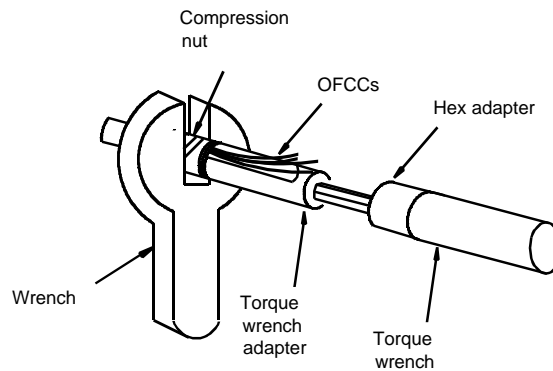


FIGURE 5A1-18. Tightening the kevlar compression nut.

- Step 10 - Remove the tape and trim the kevlar down to the face of the kevlar compression nut using the kevlar shears.

NOTE: The following step may be performed at this time or later in the connector assembly process after completion of the quality check (see 3.3.7).

- Step 11 - Slide the shrink tubing over the knurled end of the strain relief housing up to the shoulder.

CAUTION: Do not overheat the cable. Prolonged exposure of the jacket to temperatures above 160°C (320°F) may damage the cable jacket. Discontinue heating of the tubing and allow the cable jacket to cool before reheating if the cable jacket shows any signs of bubbling or necking.

Starting at the strain relief housing, hold the heat gun approximately 102 mm (4 inches) from the tubing and apply heat until the tubing shrinks to a tight fit.

3.3.4 Fiber preparation.

- Step 1 - Feed each OFCC into a crimp sleeve and slide the sleeve back from the end of the OFCC. (NOTE: Only use crimp sleeves intended for termini. Do not use crimp sleeves intended for other types of connectors. The standard crimp sleeve for the terminus may be oriented in either direction.)
- Step 2 - Trim the OFCC's to dimension A in table 5A1-IV using the kevlar shears (see figure 5A1-19).

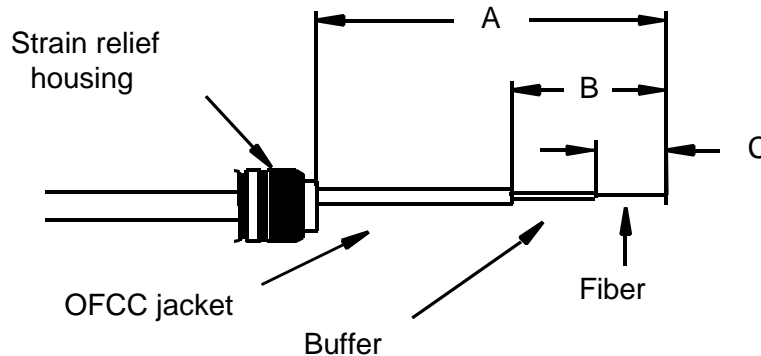


FIGURE 5A1-19. Cable stripping dimensions.

MIL-STD-2042-5A(SH)

TABLE 5A1-IV. Cable stripping dimensions.

Connector shell size	Backshell configuration	Dimensions mm (in)		
		A	B	C
13	Straight	110 (4.3)	30 (1.2)	19 (0.7)
	45°	110 (4.3)	30 (1.2)	19 (0.75)
	90°	110 (4.3)	30 (1.2)	19 (0.75)
15	Straight	110 (4.3)	30 (1.2)	19 (0.75)
	45°	120 (4.7)	30 (1.2)	19 (0.75)
	90°	120 (4.7)	30 (1.2)	19 (0.75)

Step 3 - Remove the OFCC jackets back to dimension B in table 5A1-IV using the OFCC stripper and trim the OFCC kevlar so that approximately 3 mm (0.12 in) extends past the OFCC jacket.

Step 4 - **WARNING:** Wear safety glasses when removing the fiber buffer and coating to avoid possible eye injury.

Remove the fiber buffers and coatings back to dimension C in table 5A1-IV using the buffer stripper. Remove the buffer and coating in small sections (approximately 6 mm (0.25 in) at a time). (NOTE: Normally, the buffer and coating are tightly adhered to one another and come off of the fiber at the same time.)

Step 5 - **CAUTION:** The uncoated fiber is in its most vulnerable state. Take extreme care not to damage the fiber. Breakage of any one fiber from this point until the connector is completely assembled will require repetition of this and the following steps in order to maintain approximately equal length of all the fibers in the cable.

Remove any residual coating material from the bare fibers with a wipe dampened with alcohol. Wipe only once from the end of the buffer towards the end of the fiber. (NOTE: Do not repeatedly wipe the bare fiber as this will weaken the fiber.)

3.3.5 Installation of termini onto fibers.

NOTE: This procedure describes the process for installing ceramic termini onto either multimode or single-mode fibers. The termini use epoxy to secure the fiber and a crimp sleeve to capture the kevlar strength members of the OFCC's.

Step 1 - Turn on the curing oven so that it attains the proper temperature before the termini are placed within it (approximately 20 minutes).

Step 2 - Inspect the terminus and verify that the ferrule hole is free and clean of dirt. This can be accomplished by holding the front of the terminus up to a light and verifying that the light is visible from the rear of the terminus. If light cannot be seen through the terminus, push music wire through the terminus hole to clear it. Then blow dry air through the hole to remove any debris.

Step 3 - Remove the divider from a 2-part epoxy package and mix the two parts together until the epoxy is a smooth uniform color (see figure 5A1-20). The epoxy can be mixed by either repeatedly rolling the divider over the package or gently sliding the divider over the package.

NOTE: Alternatively, the epoxy may be mixed by massaging the epoxy package by hand.

MIL-STD-2042-5A(SH)

CAUTION: Do not introduce large air bubbles into the epoxy during the mixing process. Large air bubbles in the epoxy can lead to connector failure during temperature extremes.

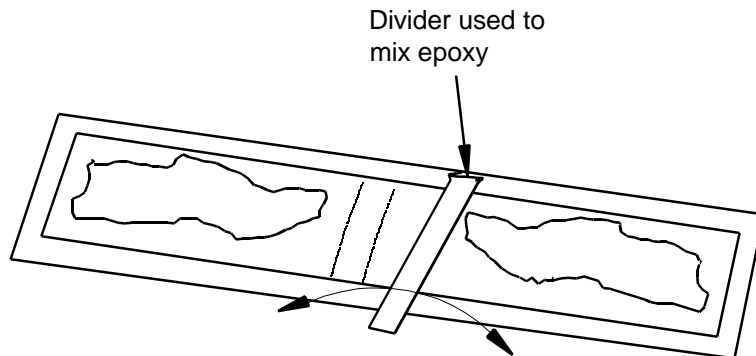


FIGURE 5A1-20. Mixing the epoxy.

Step 4 - Install the syringe tip on the syringe, remove the plunger, and squeeze the epoxy into the syringe. Replace the plunger.

Step 5 - **WARNING:** Wear safety glasses while dispensing the epoxy to avoid possible eye injury.

Remove air pockets in the syringe by holding the tip of the syringe upward and dispensing epoxy onto a wipe until it runs free and clear.

Step 6 - Slide the terminus, rear first, onto the syringe tip (see figure 5A1-21). Keeping the syringe vertical, depress the plunger and slowly inject epoxy into the terminus until it escapes out of the ferrule, forming a very small bead. (NOTE: Do not overfill. Be extremely careful not to get epoxy on the pin spring or other terminus moving parts.)

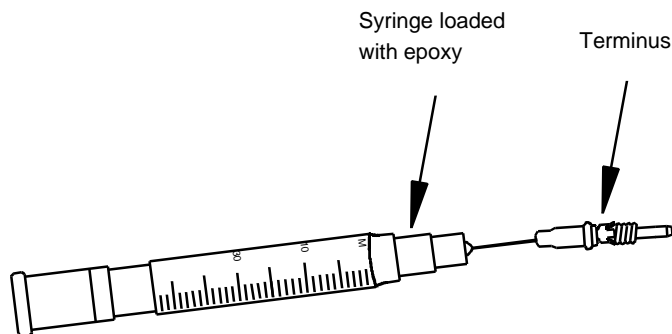


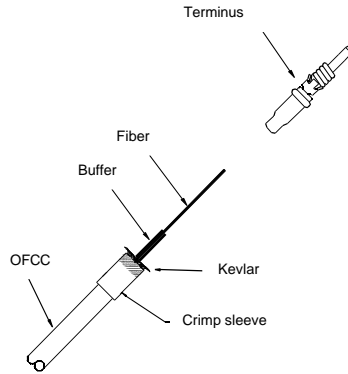
FIGURE 5A1-21. Injecting epoxy into the terminus.

Step 7 - Withdraw the syringe from the terminus. Maintain some pressure on the plunger as the syringe is withdrawn so that the terminus is completely filled with epoxy. Using a wipe dampened with alcohol, wipe away any epoxy on the outer diameter of ferrule without disturbing the epoxy bead.

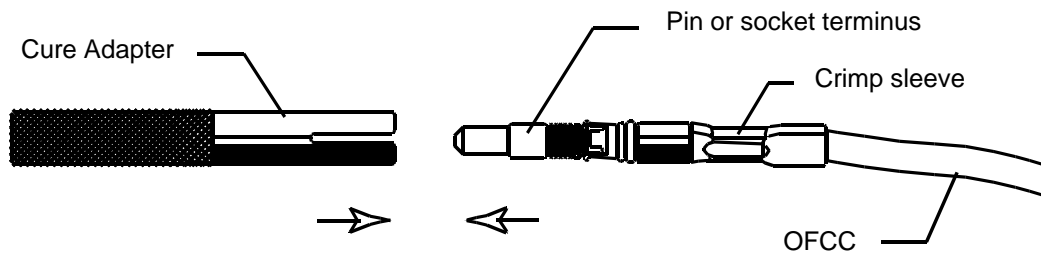
NOTE: Alternatively, the terminus may be completely filled by maintaining a light pressure on the syringe plunger and allowing the epoxy to push the terminus off of the syringe tip.

Step 8 - Feather the kevlar evenly around the fiber and insert the fiber into the rear of the terminus (see figure 5A1-22). Gently work the fiber through the terminus until the buffer seats against the rear of the ferrule. The OFCC jacket should come up to the rear of the terminus and the kevlar should surround the rear of the terminus. Once inserted, do not allow the fiber to slip back.

MIL-STD-2042-5A(SH)

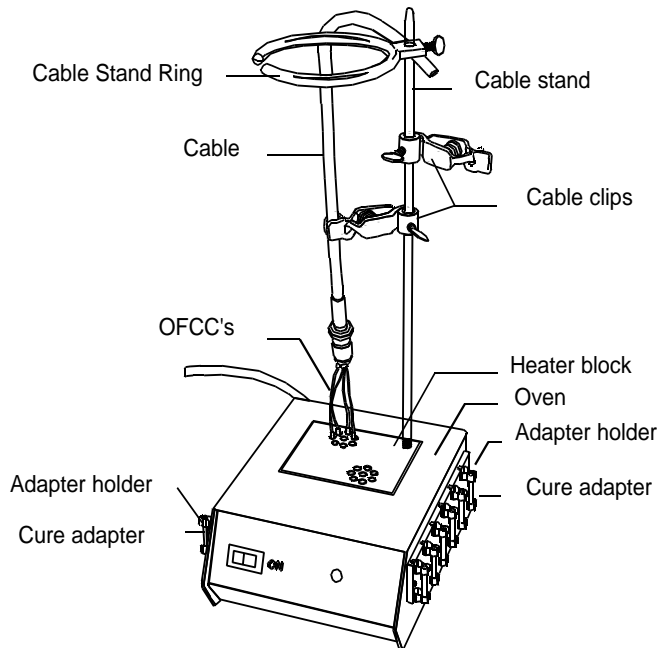
FIGURE 5A1-22. Inserting the fiber into the terminus.

- Step 9 - Slide the crimp sleeve over the kevlar and crimp it to the rear of the terminus using the crimp tool. (NOTE: A small amount of epoxy may be added on the kevlar near the rear of the terminus before the crimp sleeve is installed. However, no epoxy should be visible once the crimp sleeve is installed.)
- Step 10 - Verify that the kevlar does not protrude excessively from under the crimp sleeve. Excessive kevlar protrusion will cause the terminus to not seat properly in the finished connector. If excessive kevlar protrudes from under the crimp sleeve, trim it back using a razor blade.
- Step 11 - Verify that there is a small amount of epoxy around the fiber where it protrudes from the ferrule. If it is found that there is no small bead of epoxy on the terminus tip, carefully add a small amount of epoxy around the fiber. (NOTE: There should only be a small amount of epoxy around the fiber to support it later during the polishing process. If too much epoxy is around the fiber during the curing process it may cause the fiber to crack.)
- Step 12 - Using a wipe dampened with alcohol, carefully wipe away any excess epoxy on the fiber that is more than 2 mm (0.08 in) from the ferrule tip surface.
- Step 13 - Insert the terminus into the cure adapter until it snaps into place (see figure 5A1-23.)

FIGURE 5A1-23. Inserting a terminus in a cure adapter.

- Step 14 - Repeat steps 1 through 12 for each fiber to be terminated.
- Step 15 - Place the cure adapters in the curing oven, and position the cable vertically over the oven using the cable stand, cable stand ring and cable clip (see figure 5A1-24). Cure the epoxy for a minimum of 10 minutes (maximum of 30 minutes) at 120°C (248°F). (NOTE: When the cable is positioned above the terminus, make sure that no bends are placed in the OFCCs. Each OFCC should enter the terminus parallel to the terminus.)

MIL-STD-2042-5A(SH)

FIGURE 5A1-24. Termini in the curing oven.

- Step 16 - Turn the curing oven off and remove the cure adapters and termini from the curing oven. Allow the cure adapters and termini to cool for approximately 4 minutes.

3.3.6 Polishing the fiber ends. Procedures for hand polishing are contained herein. Machine polishing may be used as an alternate method, provided the following requirements are satisfied:

- a. The manufacturer's instructions will be rigidly adhered to, except that the polishing papers or disks shall be aluminum oxide 5 μm foam backed and 1 μm mylar backed, as used in hand polishing. (NOTE: Alternate polishing materials may be used if authorized approval is obtained and the polishing machine includes the appropriate stops to prevent changes to the ferrule length.)
- b. The machine polished terminus shall undergo the same quality check used for the manually polished terminus as described herein.

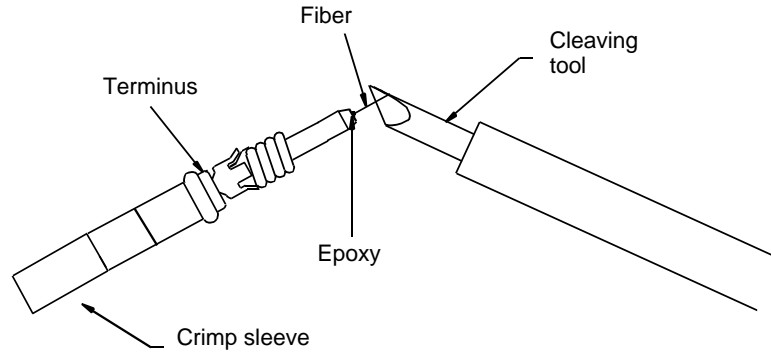
NOTE: The procedures contained herein should produce an optical terminus with a physical contact (PC) polish.

- Step 1 - WARNING: Wear safety glasses when scoring the fiber to avoid possible eye injury.

Remove the terminus from the cure adapter and score the fiber close to the terminus tip at the epoxy interface using one short light stroke with cleaving tool (see figure 5A1-25). (NOTE: Do not break the fibers with the cleaving tool.) Pull off each fiber with a gentle, straight pull. Deposit the waste fiber in a trash container.

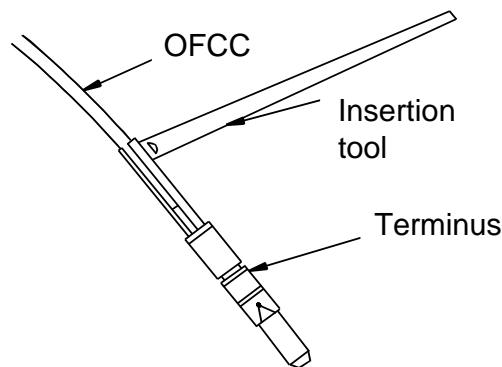
NOTE: The termini not being polished should be left in the cure adapters during the polishing process to protect the fibers from breakage.

MIL-STD-2042-5A(SH)

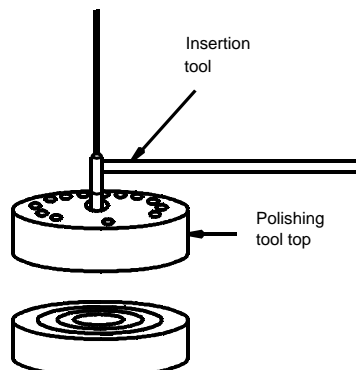
FIGURE 5A1-25. Scoring the fiber.

NOTE: Before inserting the terminus into the polishing tool, the terminus may be held vertically and the end of the fiber polished off by lightly running the 5 μm polishing paper over the top of the terminus tip. (This is referred to as air polishing the terminus.)

- Step 2 - Rotate the top half of the polishing tool 90 degrees counterclockwise and separate the top from the base.
- Step 3 - Place the end of the terminus insertion tool at the rear of the crimp sleeve with the OFCC laid in the tool channel (see figure 5A1-26).

FIGURE 5A1-26. Placing the terminus in the insertion tool.

- Step 4 - Insert the terminus into the center of the polishing tool top. Apply pressure with the insertion tool until the terminus snaps into place. Remove the tool by pulling straight back (see figure 5A1-27). (NOTE: Difficulty in inserting the terminus into the polishing tool may indicate epoxy on outside of the terminus which must be removed before proceeding.)

FIGURE 5A1-27. Inserting the terminus in the polishing tool.

MIL-STD-2042-5A(SH)

- Step 5 - Install the top half of the polishing tool on the bottom half and rotate it clockwise (90 degrees) until it locks in place.
- Step 6 - Clean the glass polishing plate, the backs of the polishing papers, and the surface of the polishing tool using a wipe dampened with alcohol. Blow all of the surfaces dry with air.
- Step 7 - Place the 5 μm polishing paper on the glass plate and start polishing the terminus with very light pressure (the weight of the tool) using a figure-8 motion. Do not overpolish the terminus. (NOTE: The first polish is complete when all of the epoxy is gone from the tip of the terminus.) Since the polishing time varies with the amount of epoxy present on the tip of the terminus, inspect the terminus tip frequently. Whenever the polishing tool is lifted, remove the grit from the tool and the terminus with air. When polishing is complete, clean the terminus and the polishing tool using a wipe dampened with alcohol and blow them dry with air. Perform a rough inspection of the ferrule end using the eye loop.
- Step 8 - Replace the 5 μm paper with the 1 μm paper. Wet the paper and polish the terminus with very light pressure using a figure-8 motion for 10 to 10 complete motions.
- Step 9 - Rotate the top of the polishing tool counterclockwise (90 degrees) and separate the top from the base. Insert the terminus removal tool into the bottom of the terminus cavity of the polishing tool top and press on the hilt of the removal tool until the tool clicks into place (see figure 5A1-28). Depress the plunger and slide the terminus out of the polishing tool. Clean the terminus and the polishing tool with a wipe dampened with alcohol and blow them dry with air.

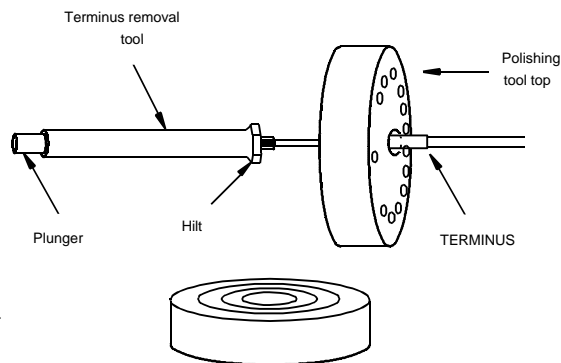


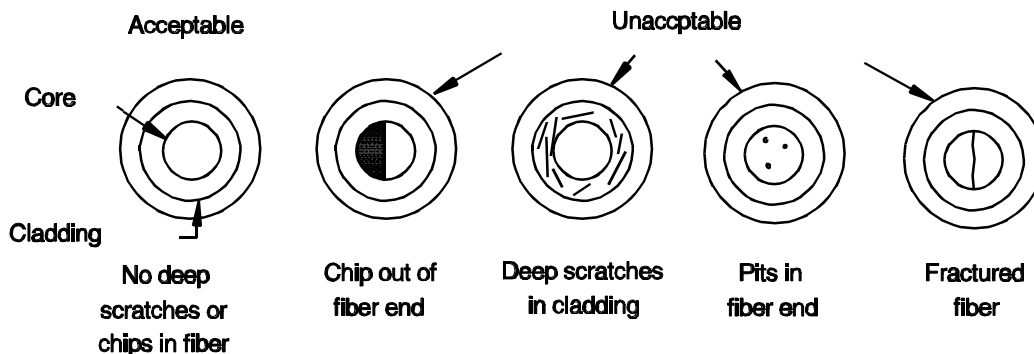
FIGURE 5A1-28. Removing the terminus from the polishing tool.

- Step 10 - Repeat steps 1 through 9 for all of the termini.

3.3.7 Quality check.

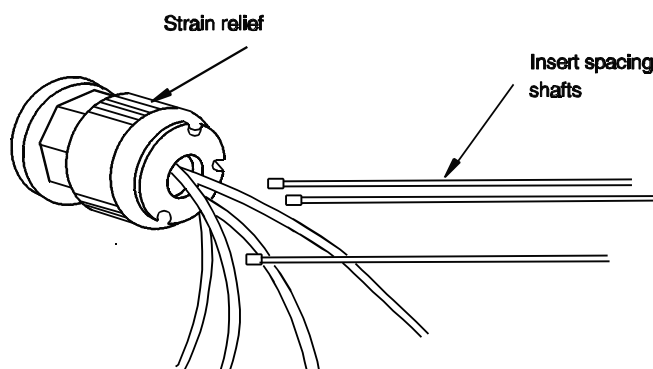
- Step 1 - Examine the terminus with the optical microscope to ensure that the optical surface is smooth and free of scratches, pits, chips, and fractures. If any defects are present, repeat steps 2 through 6, 8, and 9 or reterminate the fiber (see figure 5A1-29). (NOTE: Overpolishing the fiber will increase the optical loss of the terminus. Do not polish the terminus more than necessary to pass the quality check.) A high intensity back light may be used to illuminate the fiber during the quality check.

MIL-STD-2042-5A(SH)

FIGURE 5A1-29. Quality check.3.3.8 Installation of the terminus into the connector insert.

NOTE: Proceed to step 1a for straight (in-line) backshell connectors. Proceed to step 1b for 45° or 90° (angle) backshell connectors.

- Step 1a** - Fit the spacing shafts of the insert into the notches in the face of the strain relief until they snap into place (see figure 5A1-30). Proceed to step 2.

FIGURE 5A1-30. Installing the spacing shafts.

- Step 1b** - Slide the strain relief/cable assembly into the backshell. When the strain relief assembly stops, rotate the backshell until the strain relief assembly aligns with the backshell. When they are aligned, fully seat the strain relief assembly by sliding it the rest of the way into the backshell. (NOTE: A properly seated strain relief assembly should be recessed approximately 10 mm (.4 in) from the rear of the backshell.) Proceed to step 2.
- Step 2** - Place the end of the terminus insertion tool at the rear of the crimp sleeve with the OFCC laid in the tool channel (see figure 5A1-26).
- Step 3** - Place the terminus in the proper cavity in the rear of the connector insert. Apply pressure with the insertion tool until the terminus snaps into place (see figure 5A1-31). Remove the tool by pulling straight back. (NOTE: A properly inserted terminus will have some axial "play" within the insert cavity.)

NOTE: A socket terminus, unlike a pin terminus, will require installation of the alignment sleeves after seating the terminus. Proceed to step 4 below for socket termini. For pin termini repeat steps 2 and 3 for the rest of the termini.

MIL-STD-2042-5A(SH)

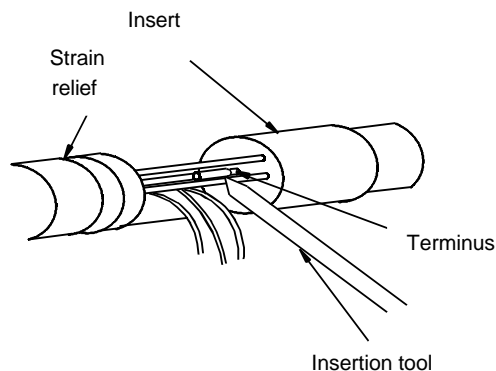


FIGURE 5A1-31. Installing the terminus in the insert.

- Step 4 - Place the end of the socket terminus alignment sleeve installation and removal tool into the solid end of the alignment sleeve, depress the plunger to grasp the alignment sleeve, and press the sleeve into the socket terminus cavity in the face of the insert (see figure 5A1-32). Press until the sleeve snaps onto the groove on the ceramic terminus body.

CAUTION: Do not rotate the tool after the sleeve is installed in the insert.

Remove the tool by releasing the plunger and pulling straight back. Proceed to step 5 below.

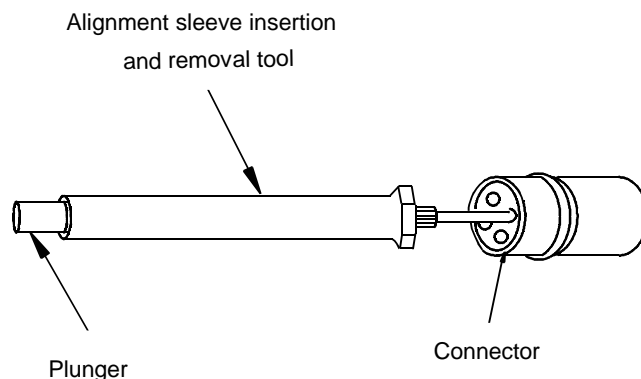


FIGURE 5A1-32. Installing the alignment sleeve.

- Step 5 - Repeat steps 1 through 4 for all of the termini.

3.3.9 Removal of the termini from the connector insert.

NOTE: Perform this procedure only if the termini are to be removed from the connector.

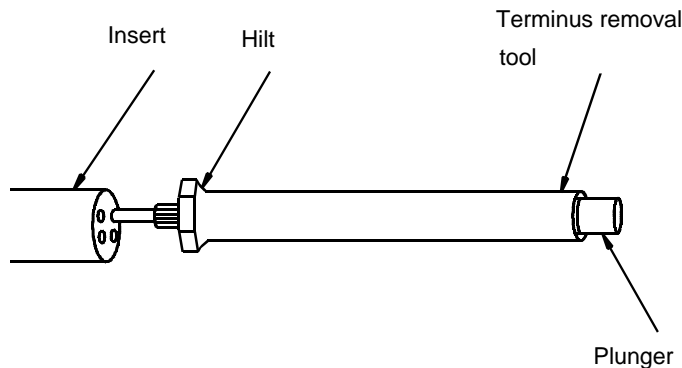
NOTE: Proceed to step 1 below for socket termini. Proceed to step 2 below for pin termini.

- Step 1 - **CAUTION:** Do not rotate the tool while the sleeve is in the insert.

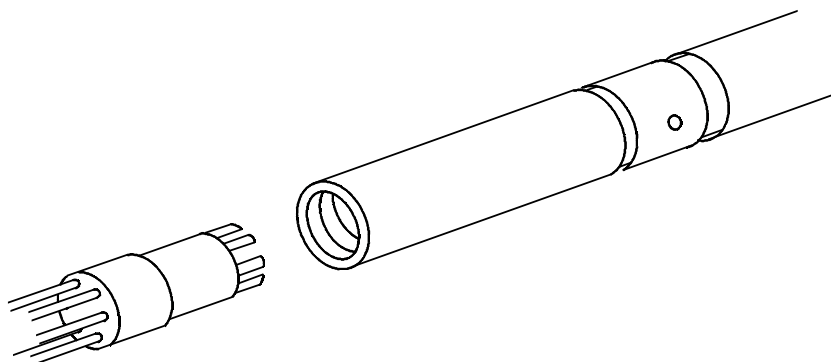
Remove the alignment sleeves from the socket termini using the terminus alignment sleeve installation and removal tool by inserting the tool end into the alignment sleeve and depressing the plunger so that the tool grasps the sleeve lip. Pull the sleeve straight back. Proceed to step 2.

- Step 2 - Insert the terminus removal tool into the terminus cavity from the front of the insert and press on the hilt of the tool until it snaps into place (see figure 5A1-33). Depress the plunger to slide the terminus out the rear of the insert.

MIL-STD-2042-5A(SH)

FIGURE 5A1-33. Removing the terminus from the insert.3.3.10 Assembly of the backshell.3.3.10.1 Straight backshells.

- Step 1 - Slide the insert/strain relief/cable assembly into the backshell (see figure 5A1-34). When the insert stops, rotate the backshell until the key on the insert aligns with the keyway in the backshell. When they are aligned, fully seat the insert by sliding the insert/strain relief/cable assembly the rest of the way into the backshell. (NOTE: A properly seated insert should cause the strain relief assembly to be recessed approximately 10 mm (.4 in) from the rear of the backshell.)

FIGURE 5A1-34. Assembling the backshell.

- Step 2 - **CAUTION:** Make sure that the insert key is properly aligned in the connector shell keyway and the insert fully seated in the connector shell before threading the compression nut into the backshell. Failure to properly seat the insert in the connector shell will cause breakage of the spacer shafts when the compression nut is threaded into the connector shell.

Slide the compression nut up to the backshell, thread it into the backshell and tighten it using the spanner wrench, torque wrench and backshell grip to 6.6 Nm (60 inch-pounds). Use care to not nick or scratch the backshell coating during assembly.

- Step 3 - Install the plastic protective cap over the front of the connector.

3.3.10.2 45° and 90° (angle) backshells.

- Step 1 - **CAUTION:** Make sure that the OFCC's will not be pinched between the two backshell halves before assembling the backshell halves.

Assemble the two backshell halves together using a screwdriver.

- Step 2 - Slide the compression nut up to the backshell, thread it into the backshell and tighten it using the spanner wrench, torque wrench and backshell grip to 6.6 Nm (60 inch-pounds). Use care to not nick or scratch the backshell coating during assembly.

MIL-STD-2042-5A(SH)

Step 3 - Install the plastic protective cap over the front of the connector.

3.4 Procedure III. Method 5A1-3 Installation of connectors with insert retention nuts
This method shall be used to assemble connectors with part numbers M28876/1 and M28876/11 configured with insert retention nuts onto OFCCs.

NOTE: This procedure is applicable in the installation of connector receptacles into equipment where the termination is accomplished on OFCCs. This procedure is not appropriate for the installation of plugs or receptacles onto multifiber cables.

3.4.1 Equipment and materials. The equipment and materials in table 5A1-V shall be used to perform this procedure:

TABLE 5A1-V. Equipment and materials.

Description	Quantity
Ruler	1
Wipes (NAVSEA DWG 6872813-22 or equal)	As required
Alcohol bottle with alcohol/2-propanol or equal (sealable type)	1
Canned air or compressed air	As required
OFCC strip tool (NAVSEA DWG 6872813-10 or equal)	1
Kevlar shears (NAVSEA DWG 6872813-16 or equal)	1
Safety glasses	1
Buffer strip tool (NAVSEA DWG 6872813-9 or equal)	1
Cleaning wire (NAVSEA DWG 6872813-32 or equal)	As required
Epoxy (MIL-A-24792)	As required
Syringe with dispensing needles (NAVSEA DWG 6872813-27 or equal)	As required
Crimp tool (NAVSEA DWG 6872813-17 or equal)	1
Razor blade	1
Cure adapters (NAVSEA DWG 6872813-19 or equal)	As required
Curing oven (NAVSEA DWG 6872813-19 or equal)	1
Cable stand (NAVSEA DWG 6872813-19 or equal)	1
Cable stand ring (NAVSEA DWG 6872813-19 or equal)	1
Cable clip (NAVSEA DWG 6872813-19 or equal)	1
Cleaver (NAVSEA DWG 6872813-7 or equal)	1
Polishing paper (5 μ m aluminum oxide, foam backed) (NAVSEA DWG 6872813-24 or equal)	As required
Polishing tool ceramic termini (NAVSEA DWG 6872813-18 or equal)	1
Terminus insertion tool (NAVSEA DWG 6872813-2 or equal)	1
Terminus insertion tool 90° (NAVSEA DWG 6872813-15 or equal)	1
Glass polishing plate (NAVSEA DWG 6872813-3 or equal)	1
7X eye loupe	1
Polishing paper (1 μ m aluminum oxide, mylar backed) (NAVSEA DWG 6872813-23 or equal)	As required
Water bottle (sealable type)	1
Terminus removal tool (NAVSEA DWG 6872813-6 or equal)	1
Optical microscope 400X (NAVSEA DWG 6872813-28 or equal)	1

MIL-STD-2042-5A(SH)

TABLE 5A1-V. Equipment and materials - continued.

Description	Quantity
Alignment sleeve insertion and removal tool (ceramic termini)(NAVSEA DWG 6872813-4 or equal)	1
Protective caps (plastic)	As required

CAUTION: Throughout the termination process, cleanliness is critical to obtaining a high optical quality connector. Make sure that your hands and the work area are as clean as possible to minimize the ingress of dirt into the connector parts.

NOTE: Verify that the epoxy shelf life has not expired. Do not use epoxy with an expiration date that has passed.

3.4.2 Cable and fiber preparation.

- Step 1 - Ensure the OFCCs are the correct type as specified on the applicable cable diagram.
- Step 2 - Measure the OFCCs to the required length. Then add sufficient slack to allow for at least two reterminations [40 mm (1.60 inches) of slack should be sufficient for one retermination].
- Step 3 - Clean the OFCC outer jackets with a wipe dampened with alcohol and blow them dry with air.

NOTE: Keep the OFCCs and connector parts free from oil, dirt and grease throughout the installation procedure. If cleaning is necessary, use a wipe dampened with alcohol and blow the part dry with air.

- Step 4 - Feed each OFCC into a crimp sleeve and slide the sleeve back from the end of the OFCC. (NOTE: Only use crimp sleeves intended for termini. Do not use crimp sleeves intended for other types of connectors.)

- Step 5 - Remove the OFCC jackets back 30 mm (1.20 in) from the end of the fiber using the OFCC stripper and trim the OFCC kevlar using the kevlar shears so that approximately 3 mm (0.12 in) extends past the OFCC jacket.

- Step 6 - **WARNING:** Wear safety glasses when removing the fiber buffer and coating to avoid possible eye injury.

Remove the fiber buffers and coatings back 19 mm (0.75 in) from the end of the fiber using the buffer stripper. Remove the buffer and coating in small sections (approximately 6 mm (0.25 in) at a time.) (NOTE: Normally, the buffer and coating are tightly adhered to one another and come off of the fiber at the same time.)

- Step 7 - **CAUTION:** The uncoated fiber is in its most vulnerable state. Take extreme care not to damage the fiber.

Remove any residual coating material from the bare fibers with a wipe dampened with alcohol. Wipe only once from the end of the buffer towards the end of the fiber. (NOTE: Do not repeatedly wipe the bare fiber as this will weaken the fiber.)

3.4.3 Installation of the termini onto the fibers.

NOTE: This procedure describes the process for installing ceramic termini onto either multimode or single-mode fibers. The termini use epoxy to secure the fiber and a crimp sleeve to capture the kevlar strength members of the OFCC's.

- Step 1 - Turn on the curing oven so that it attains the proper temperature before the termini are placed within it (approximately 20 minutes).
- Step 2 - Inspect the terminus and verify that the ferrule hole is free and clean of dirt. This can be accomplished by holding the front of the terminus up to a light and verifying that the light is visible from the rear of the terminus. If light cannot be seen through the terminus, push music wire through the terminus hole to clear it. Then blow dry air through the hole to remove any debris.

MIL-STD-2042-5A(SH)

- Step 3 - Remove the divider from a 2-part epoxy package and mix the two parts together until the epoxy is a smooth uniform color (see figure 5A1-37). The epoxy can be mixed by either repeatedly rolling the divider over the package or gently sliding the divider over the package.

NOTE: Alternatively, the epoxy may be mixed by massaging the epoxy package by hand.

CAUTION: Do not introduce large air bubbles into the epoxy during the mixing process. Large air bubbles in the epoxy can lead to connector failure during temperature extremes.

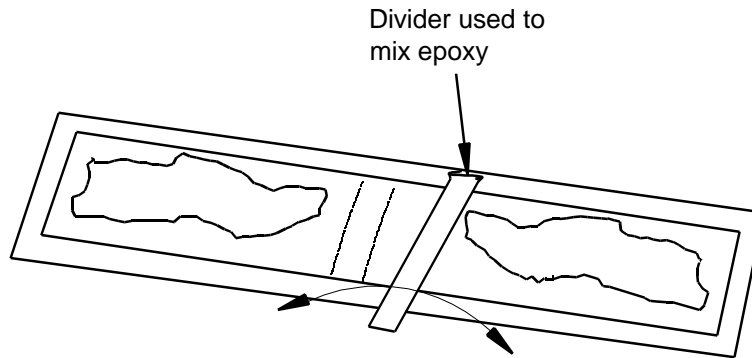
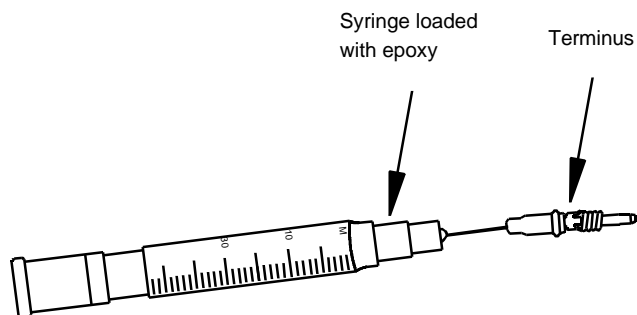


FIGURE 5A1-35. Mixing the epoxy.

- Step 4 - Install the syringe tip on the syringe, remove the plunger, and squeeze the epoxy into the syringe. Replace the plunger.
- Step 5 - **WARNING:** Wear safety glasses while dispensing the epoxy to avoid possible eye injury.
- Remove air pockets in the syringe by holding the tip of the syringe upward and dispensing epoxy onto a wipe until it runs free and clear.
- Step 6 - Slide the terminus, rear first, onto the syringe tip (see figure 5A1-36). Keeping the syringe vertical, depress the plunger and slowly inject epoxy into the terminus until it escapes out of the ferrule, forming a very small bead. (NOTE: Do not overfill. Be extremely careful not to get epoxy on the pin spring or other terminus moving parts.)

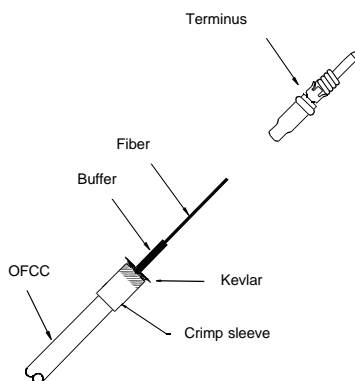
MIL-STD-2042-5A(SH)

FIGURE 5A1-36. Injecting epoxy into the terminus.

- Step 7 - Withdraw the syringe from the terminus. Maintain some pressure on the plunger as the syringe is withdrawn so that the terminus is completely filled with epoxy. Using a wipe dampened with alcohol, wipe away any epoxy on the outer diameter of ferrule without disturbing the epoxy bead.

NOTE: Alternatively, the terminus may be completely filled by maintaining a light pressure on the syringe plunger and allowing the epoxy to push the terminus off of the syringe tip.

- Step 8 - Feather the kevlar evenly around the fiber and insert the fiber into the rear of the terminus (see figure 5A1-37). Gently work the fiber through the terminus until the buffer seats against the rear of the ferrule. The OFCC jacket should come up to the rear of the terminus and the kevlar should surround the rear of the terminus. Once inserted, do not allow the fiber to slip back.

FIGURE 5A1-37. Inserting the fiber into the terminus.

- Step 9 - Slide the crimp sleeve over the kevlar and crimp it to the rear of the terminus using the crimp tool. (NOTE: A small amount of epoxy may be added on the kevlar near the rear of the terminus before the crimp sleeve is installed. However, no epoxy should be visible once the crimp sleeve is installed.)
- Step 10 - Verify that the kevlar does not protrude excessively from under the crimp sleeve. Excessive kevlar protrusion will cause the terminus to not seat properly in the finished connector. If excessive kevlar protrudes from under the crimp sleeve, trim it back using a razor blade.
- Step 11 - Verify that there is a small amount of epoxy around the fiber where it protrudes from the ferrule. If it is found that there is no small bead of epoxy on the terminus tip, carefully add a small amount of epoxy around the fiber. (NOTE: There should only be a small amount of epoxy around the fiber to support it later during the polishing process. If too much epoxy is around the fiber during the curing process it may cause the fiber to crack.)
- Step 12 - Using a wipe dampened with alcohol, carefully wipe away any excess epoxy on the fiber that is more than 2 mm (0.08 in) from the ferrule tip surface.

MIL-STD-2042-5A(SH)

- Step 13 - Insert the terminus into the cure adapter until it snaps into place (see figure 5A1-38).

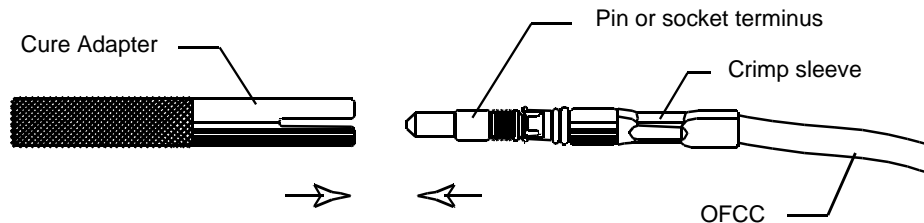


FIGURE 5A1-38. Inserting a terminus in a cure adapter.

- Step 14 - Repeat steps 1 through 12 for each fiber to be terminated.
- Step 15 - Place the cure adapters in the curing oven, and position the OFCC's vertically over the oven using the cable stand, cable stand ring and cable clip (see figure 5A1-39). Cure the epoxy for a minimum of 10 minutes (maximum of 30 minutes) at 120°C (248°F). (NOTE: When the OFCC's are positioned above the termini, make sure that no bends are placed in the OFCCs. Each OFCC should enter the terminus parallel to the terminus.)

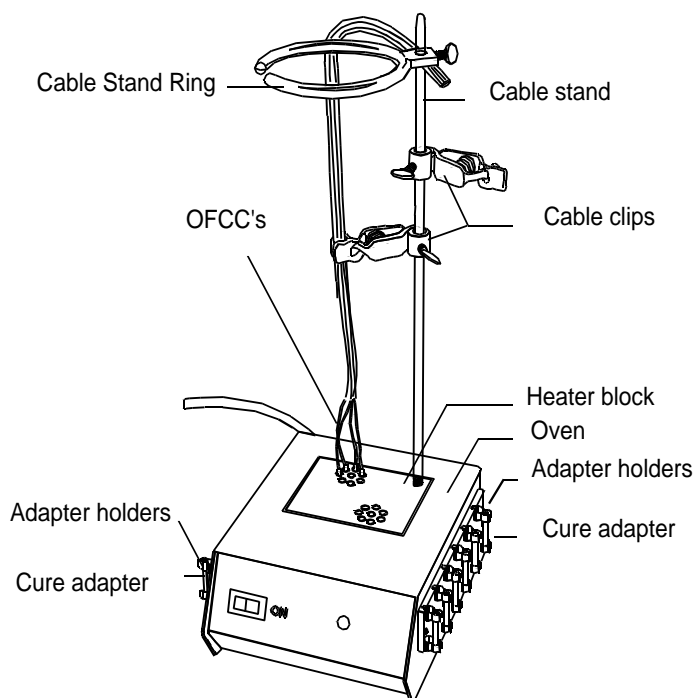


FIGURE 5A1-39. Termini in the curing oven.

- Step 16 - Turn the curing oven off and remove the termini from the curing oven. Allow the cure adapters and termini to cool for approximately 4 minutes.

MIL-STD-2042-5A(SH)

3.4.4 Polishing the fiber ends. Procedures for hand polishing are contained herein. Machine polishing may be used as an alternate method, provided the following requirements are satisfied:

- a. The manufacturer's instructions will be rigidly adhered to, except that the polishing papers or disks shall be aluminum oxide 5 μm foam backed and 1 μm mylar backed, as used in hand polishing. (NOTE: Alternate polishing materials may be used if authorized approval is obtained and the polishing machine includes the appropriate stops to prevent changes to the ferrule length.)
- b. The machine polished terminus shall undergo the same quality check used for the manually polished terminus as described herein.

NOTE: The procedures contained herein should produce an optical terminus with a physical contact (PC) polish.

- Step 1 - **WARNING:** Wear safety glasses when scoring the fiber to avoid possible eye injury.

Remove the terminus from the cure adapter and score the fiber close to the terminus tip at the epoxy interface using one short light stroke with cleaving tool (see figure 5A1-40). (NOTE: Do not break the fibers with the cleaving tool.) Pull off each fiber with a gentle, straight pull. Deposit the waste fiber in a trash container.

NOTE: The termini not being polished should be left in the cure adapters during the polishing process to protect the fibers from breakage.

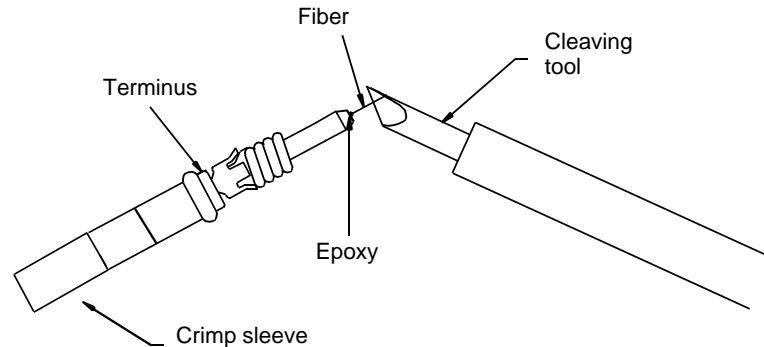


FIGURE 5A1-40. Scoring the fiber.

NOTE: Before inserting the terminus into the polishing tool, the terminus may be held vertically and the end of the fiber polished off by lightly running the 5 μm polishing paper over the top of the terminus tip. (This is referred to as air polishing the terminus.)

- Step 2 - Rotate the top half of the polishing tool 90 degrees counterclockwise and separate the top from the base.
- Step 3 - Place the end of the terminus insertion tool at the rear of the crimp sleeve with the OFCC laid in the tool channel (see figure 5A1-41).

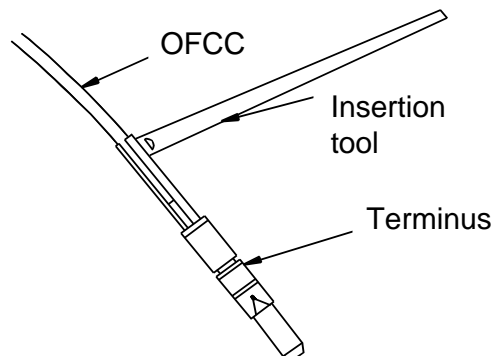


FIGURE 5A1-41. Placing the terminus in the insertion tool.

MIL-STD-2042-5A(SH)

- Step 4 - Insert the terminus into the center of the polishing tool top. Apply pressure with the insertion tool until the terminus snaps into place. Remove the tool by pulling straight back (see figure 5A1-42). (NOTE: Difficulty in inserting the terminus into the polishing tool may indicate epoxy on outside of the terminus which must be removed before proceeding.)

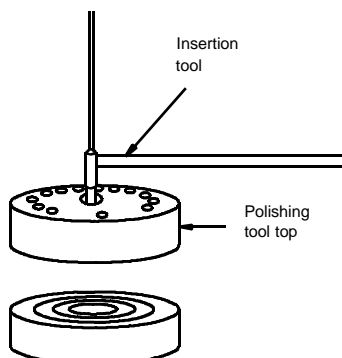
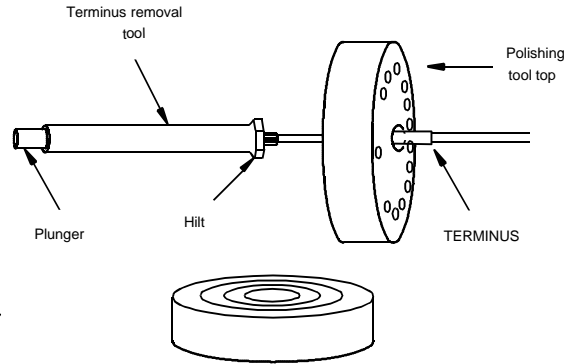


FIGURE 5A1-42. Inserting the terminus in the polishing tool.

- Step 5 - Install the top half of the polishing tool on the bottom half and rotate it clockwise (90 degrees) until it locks in place.
- Step 6 - Clean the glass polishing plate, the backs of the polishing papers, and the surface of the polishing tool using a wipe dampened with alcohol. Blow all of the surfaces dry with air.
- Step 7 - Place the 5 μm polishing paper on the glass plate and start polishing the terminus with very light pressure (the weight of the tool) using a figure-8 motion. Do not overpolish the terminus. (NOTE: The first polish is complete when all of the epoxy is gone from the tip of the terminus.) Since the polishing time varies with the amount of epoxy present on the tip of the terminus, inspect the terminus tip frequently. Whenever the polishing tool is lifted, remove the grit from the tool and the terminus with air. When polishing is complete, clean the terminus and the polishing tool using a wipe dampened with alcohol and blow them dry with air. Perform a rough inspection of the ferrule end using the eye loop.
- NOTE: For some ferrule designs all of the epoxy cannot be removed during the first polish and a slight epoxy haze will remain on the ferrule endface. This haze will be removed during the first 5 figure-8 motions of the second polish. If this occurs, polish the connector an additional 5 figure-8 motions during the second polish.
- Step 8 - Replace the 5 μm paper with the 1 μm paper. Wet the paper and polish the terminus with very light pressure using a figure-8 motion for 10 to 20 complete motions.
- Step 9 - Rotate the top of the polishing tool counterclockwise (90 degrees) and separate the top from the base. Insert the terminus removal tool into the bottom of the terminus cavity of the polishing tool top and press on the hilt of the removal tool until the tool clicks into place (see figure 5A1-43). Depress the plunger and slide the terminus out of the polishing tool. Clean the terminus and the polishing tool with a wipe dampened with alcohol and blow them dry with air.

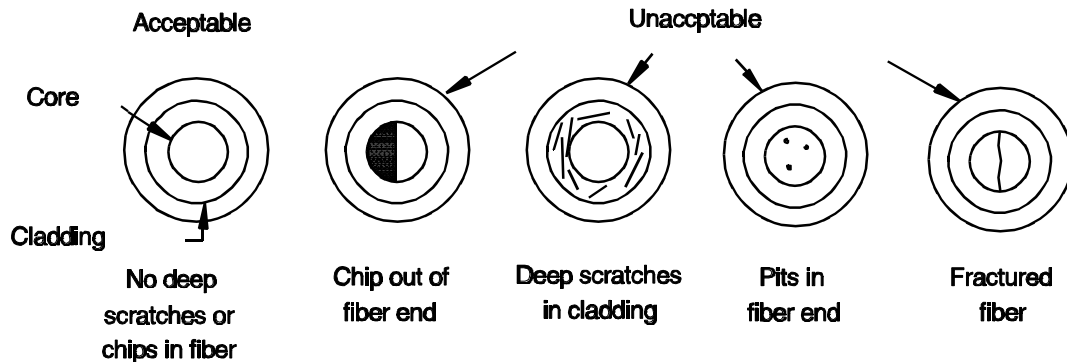
MIL-STD-2042-5A(SH)

FIGURE 5A1-43. Removing the terminus from the polishing tool.

Step 10 - Repeat steps 1 through 9 for all of the termini.

3.4.5 Quality check.

Step 1 - Examine the terminus with the optical microscope to ensure that the optical surface is smooth and free of scratches, pits, chips, and fractures. If any defects are present, repeat steps 2 through 6, 8, and 9 or reterminate the fiber (see figure 5A1-44). (NOTE: Overpolishing the fiber will increase the optical loss of the terminus. Do not polish the terminus more than necessary to pass the quality check.) A high intensity back light may be used to illuminate the fiber during the quality check.

FIGURE 5A1-44. Quality check.

3.4.6 Installation of the terminus into the connector insert.

Step 1 - Place the end of the terminus insertion tool at the rear of the crimp sleeve with the OFCC laid in the tool channel (see figure 5A1-41).

Step 2 - Place the terminus in the proper cavity in the rear of the connector insert. Apply pressure with the insertion tool until the terminus snaps into place (see figure 5A1-45). Remove the tool by pulling straight back. (NOTE: A properly inserted terminus will have some axial "play" within the insert cavity.)

NOTE: A socket terminus, unlike a pin terminus, will require installation of the alignment sleeves after seating the terminus. Proceed to step 3 below for socket termini. For pin termini repeat steps 1 and 2 for the rest of the termini.

MIL-STD-2042-5A(SH)

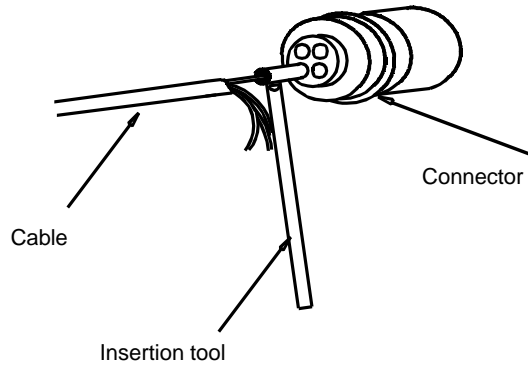


FIGURE 5A1-45. Installing the terminus in the insert.

- Step 3 - Place the end of the socket terminus alignment sleeve installation and removal tool into the solid end of the alignment sleeve, depress the plunger to grasp the alignment sleeve, and press the sleeve into the socket terminus cavity in the face of the insert (see figure 5A1-46). Press until the sleeve snaps onto the groove on the ceramic terminus body.

CAUTION: Do not rotate the tool after the sleeve is installed in the insert.

Remove the tool by releasing the plunger and pulling straight back. Proceed to step 4 below.

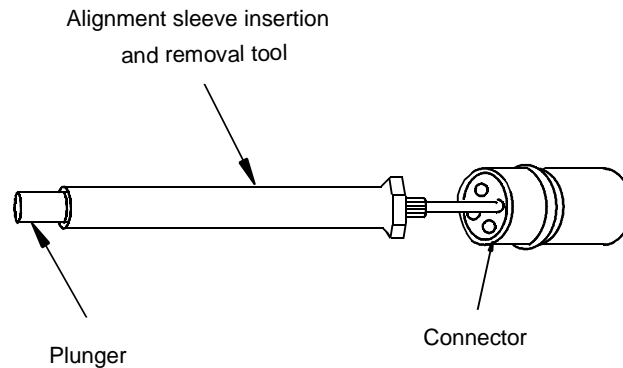


FIGURE 5A1-46. Installing the alignment sleeve.

- Step 4 - Repeat steps 1 through 3 for all of the termini.
 Step 5 - Install the plastic protective cap over the front of the connector.

3.4.7 Removal of the termini from the connector insert.

NOTE: Perform this procedure only if the termini are to be removed from the connector.

NOTE: Proceed to step 1 below for socket termini. Proceed to step 2 below for pin termini.

- Step 1 - **CAUTION:** Do not rotate the tool while the sleeve is in the insert.
 Remove the alignment sleeves from the socket termini using the terminus alignment sleeve installation and removal tool by inserting the tool end into the alignment sleeve and depressing the plunger so that the tool grasps the sleeve lip. Pull the sleeve straight back. Proceed to step 2.
- Step 2 - Insert the terminus removal tool into the terminus cavity from the front of the insert and press on the hilt of the tool until it snaps into place (see figure 5A1-47). Depress the plunger to slide the terminus out the rear of the insert.

MIL-STD-2042-5A(SH)

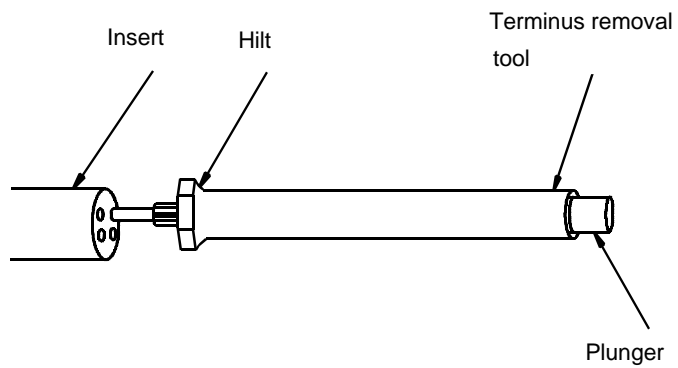


FIGURE 5A1-47. Removing the terminus from the insert.

MIL-STD-2042-5A(SH)

METHOD 5B1

SINGLE TERMINUS CONNECTOR INSTALLATION

1. SCOPE.

1.1 Scope. This method shall be used for installing MIL-C-83522 single terminus (light duty) connectors onto OFCCs.

2. REQUIRED EQUIPMENT AND MATERIALS.

2.1 The equipment and materials in table 5B1-I shall be used to perform this procedure:

TABLE 5B1-I. Equipment and materials.

Description	Quantity
Wipes (NAVSEA DWG 6872811-18)	As required
Alcohol bottle with alcohol/2-propanol or equal	1
Canned air or compressed air	As required
OFCC strip tool (NAVSEA DWG 6872811-10 or equal)	1
Kevlar shears (NAVSEA DWG 6872811-16)	1
Safety glasses	1
Ruler	1
Buffer strip tool (NAVSEA DWG 6872811-9 or equal)	1
Cleaning wire (NAVSEA DWG 6872811-24 or equal)	As required
Epoxy (MIL-A-24792)	As required
Syringe with dispensing needles (NAVSEA DWG 6872811-22 or equal)	As required
Cure adapters (NAVSEA DWG 6872811-27 or equal)	As required
Crimp tool (NAVSEA DWG 6872811-1 or equal)	1
Die for crimp tool (NAVSEA DWG 6872811-2 or equal)	1
Heat gun (Raychem 500B or equal)	1
Curing oven (NAVSEA DWG 6872811-13 or equal)	1
Holder block	As required
Cleaver (NAVSEA DWG 6872811-7 or equal)	1
Glass polishing plate (NAVSEA DWG 6872811-3 or equal)	1
Polishing paper (5 µm aluminum oxide, foam backed) (NAVSEA DWG 6872811-20 or equal)	As required
Polishing tool (NAVSEA DWG 6872811-4 or equal)	1
Polishing paper (1 µm aluminum oxide, mylar backed) (NAVSEA DWG 6872811-19 or equal)	As required
Water bottle (sealable type)	1
Optical microscope 400X (NAVSEA DWG 6872811-25 or equal)	1
Protective caps (plastic)	As required

CAUTION: Throughout the termination process, cleanliness is critical to obtaining a high optical quality connector. Make sure that your hands and the work area are as clean as possible to minimize the ingress of dirt into the connector parts.

NOTE: Verify that the epoxy shelf life has not expired. Do not use epoxy with an expiration date that has passed.

MIL-STD-2042-5A(SH)

3. PROCEDURE

3.1 Safety summary. The following safety precautions shall be observed:

- a. Safety glasses shall be worn at all times when handling bare fibers or dispensing epoxy.
- b. Do not touch the ends of the fiber as they may be razor sharp. Wash your hands after handling bare fiber.
- c. Avoid skin contact with epoxies.
- d. Do not stare into the end of a fiber until verifying that the fiber is not connected to a laser light source or LED.

3.2 Procedure.

3.2.1 Cable and fiber preparation.

NOTE: If the cable jacket has not been removed, refer to Method 2A1 and Method 2B1 of Part 2 of this standard practice.

NOTE: Keep the OFCCs and connector parts free from oil, dirt and grease throughout the installation procedure. If cleaning is necessary, use a wipe dampened with alcohol and blow the part dry with air.

- Step 1 - Measure the OFCCs to the required length (refer to the equipment drawings or to Method 2C1 of Part 2 of this standard practice). Then add sufficient slack to allow for at least two reterminations [40 mm (1.60 inches) of slack should be sufficient for one retermination].
- Step 2 - Slip the heat shrink tubing (with the fiber identification), the connector boot and the crimp sleeve over the OFCC (see figure 5B1-1).

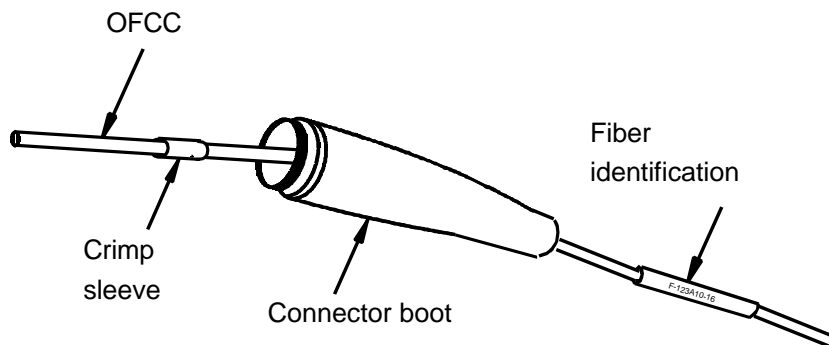
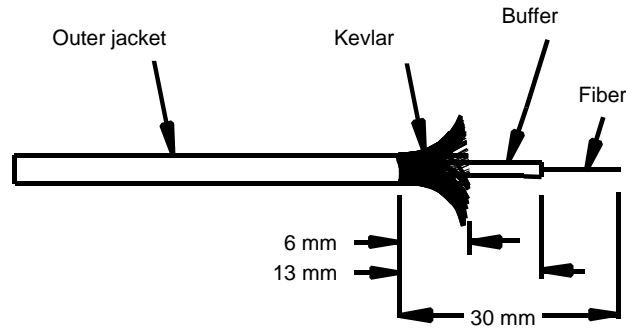


FIGURE 5B1-1. Installing the identification sleeve and connector boot - (typical).

- Step 3 - Remove the OFCC jacket back 30 mm (1.20 in) from the end of the fiber using the OFCC stripper and trim the OFCC kevlar with the kevlar shears so that approximately 6 mm (0.25 in) extends past the OFCC jacket (see figure 5B1-2).
- Step 4 - **WARNING:** Wear safety glasses when removing the fiber buffer and coating to avoid possible eye injury.

Mark the fiber buffer 17 mm (0.70 in) back from the end of the fiber and remove the fiber buffer and coating back to the mark using the buffer stripper (see figure 5B1-2). Remove the buffer and coating in small sections (approximately 6 mm (0.25 in) at

MIL-STD-2042-5A(SH)

FIGURE 5B1-2. Prepared OFCC dimensions.

a time.) (NOTE: Normally, the buffer and coating are tightly adhered to one another and come off of the fiber at the same time.)

- Step 5 - **CAUTION:** The uncoated fiber is in its most vulnerable state. Take extreme care not to damage the fiber.

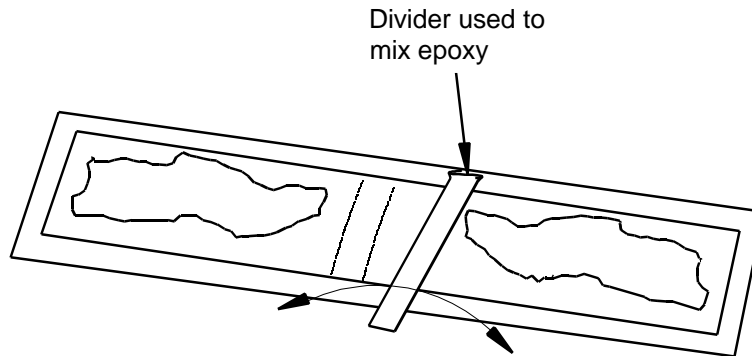
Remove any residual coating material from the bare fiber with a wipe dampened with alcohol. Wipe once from the end of the buffer towards the end of the fiber. (NOTE: Do not repeatedly wipe the bare fiber as this will weaken the fiber.)

3.3.2 Installation of the connector onto the fiber.

- Step 1 - Inspect the connector and verify that the ferrule hole is free and clean of dirt. This can be accomplished by holding the front of the connector up to a light and verifying that the light is visible from the rear of the connector. If light cannot be seen through the connector, push music wire through the ferrule hole to clear it. Then blow dry air through the hole to remove any debris.
- Step 2 - Remove the divider from a 2-part epoxy package and mix the two parts together until the epoxy is a smooth uniform color (see figure 5B1-3). The epoxy can be mixed by either repeatedly rolling the divider over the package or gently sliding the divider over the package.

NOTE: Alternatively, the epoxy may be mixed by massaging the epoxy package by hand.

CAUTION: Do not introduce large air bubbles into the epoxy during the mixing process. Large air bubbles in the epoxy can lead to connector failure during temperature extremes.

FIGURE 5B1-3. Mixing the epoxy.

- Step 3 - Install the syringe tip on the syringe, remove the plunger, and squeeze the epoxy into the syringe. Replace the plunger.

MIL-STD-2042-5A(SH)

- Step 4 - **WARNING:** Wear safety glasses while dispensing the epoxy to avoid possible eye injury. Remove air pockets in the syringe by holding the tip of the syringe upward and dispensing epoxy onto a wipe until it runs free and clear.
- Step 5 - Slide the connector, rear first, onto the syringe tip (see figure 5B1-4). Depress the plunger and slowly inject epoxy into the connector until it escapes out of the ferrule, forming a very small bead. (NOTE: Do not overfill. Be extremely careful not to get epoxy on the connector spring or other connector moving parts.)

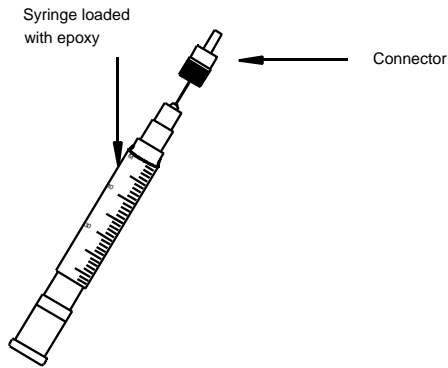


FIGURE 5B1-4. Injecting epoxy into the connector.

- Step 6 - Withdraw the syringe from the connector. Maintain some pressure on the plunger as the syringe is withdrawn so that the connector is completely filled with epoxy. Using a wipe dampened with alcohol, wipe away any epoxy on the outer diameter of the ferrule without disturbing the epoxy bead.
- NOTE: Alternatively, the connector may be completely filled by maintaining a light pressure on the syringe plunger and allowing the epoxy to push the connector off of the syringe tip.
- Step 7 - Apply a very thin coating of epoxy to the kevlar strands and the buffer.
- Step 8 - Apply a very thin band of epoxy to approximately 3 mm (0.12 inch) of the connector barrel (see figure 5B1-5).

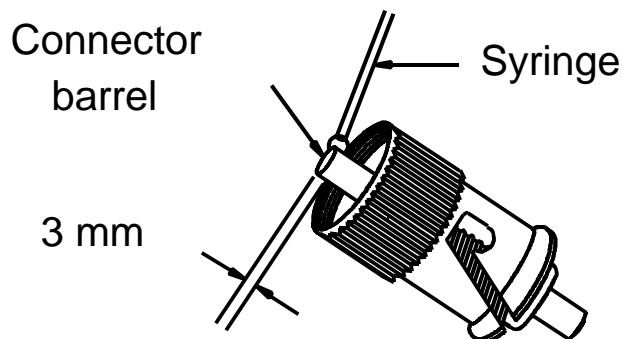
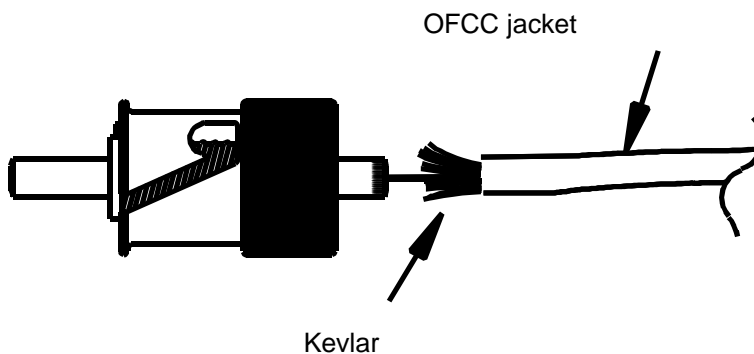


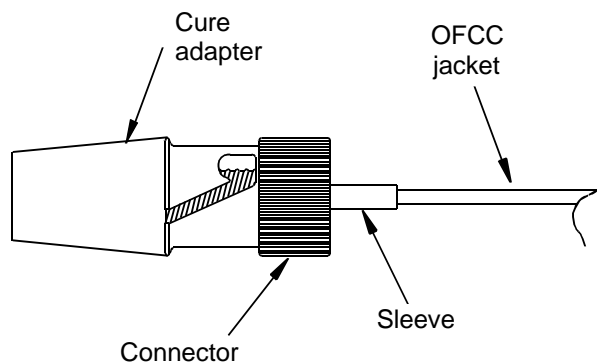
FIGURE 5B1-5. Applying epoxy to the connector barrel.

- Step 9 - Feather the kevlar evenly around the fiber and insert the fiber into the rear of the connector (see figure 5B1-6). Gently work the fiber through the connector until the buffer seats against the rear of the ferrule. The OFCC jacket should come up to the rear of the connector barrel and the kevlar should surround the rear of the connector barrel. Once inserted, do not allow the fiber to slip back.

MIL-STD-2042-5A(SH)

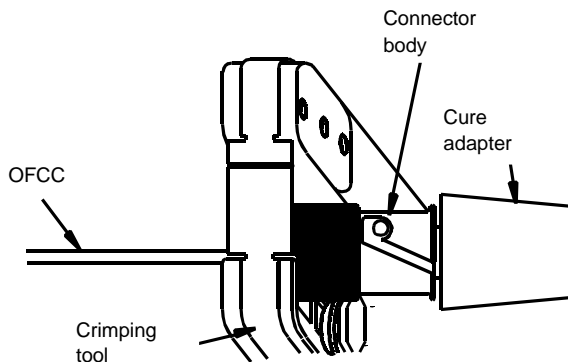
FIGURE 5B1-6. Inserting the fiber into the connector.

- Step 10 - Carefully place the cure adapter over the fiber and mate it to the connector so that the connector barrel is at maximum extension from the rear of the connector (place the cure adapter nub at end of the connector ramp, just before the normal mated position). Slide the crimp sleeve over the OFCC jacket and kevlar onto the connector barrel (see figure 5B1-7).

FIGURE 5B1-7. Sliding the crimp sleeve over the connector barrel.

NOTE: The fiber must not protrude beyond the end of the cure adapter. If it does, trim the fiber end so it does not.

- Step 11 - Place the crimping tool over the crimp sleeve and crimp it against the connector barrel. Rotate the connector 90 degrees and crimp it again (see figure 5B1-8).

FIGURE 5B1-8. Crimping the connector.

MIL-STD-2042-5A(SH)

- Step 12 - Verify that there is a small amount of epoxy around the fiber where it protrudes from the ferrule. If it is found that there is no small bead of epoxy on the ferrule tip, carefully add a small amount of epoxy around the fiber. (NOTE: There should only be a small amount of epoxy around the fiber to support it later during the polishing process. If too much epoxy is around the fiber during the curing process it may cause the fiber to crack.)
- Step 13 - Using a wipe dampened with alcohol, carefully wipe away any epoxy on the fiber that is more than 2 mm (0.08 in) from the ferrule surface.
- Step 14 - Apply a drop of epoxy onto the rubber boot threads, slip the boot over the crimped sleeve and screw it onto the connector body.
- Step 15 - CAUTION: Do not overheat the OFCC. Prolonged exposure of the OFCC to temperatures above 160°C (320°F) may damage the OFCC jacket. Discontinue heating of the tubing and allow the jacket to cool before reheating if the jacket shows any signs of bubbling.
- Slide the fiber identification tubing up the OFCC to near the connector boot and shrink it over the OFCC using a heat gun.

3.2.3 Curing the epoxy.

- Step 1 - Turn on the curing oven so that it attains the proper temperature before the connector is placed within it (approximately 20 minutes).
- Step 2 - Place the cure adapter with the connector in the curing oven, and position the OFCC vertically over the oven. Cure the epoxy for a minimum of 10 minutes (maximum of 30 minutes) at 120°C (248°F). (NOTE: When the OFCC is positioned above the connector, make sure that no bends are placed in the OFCC. The OFCC should enter the connector parallel to the connector axis.)
- Step 3 - Turn the curing oven off, remove the connector and cure adapter from the curing oven, and place them on a cure adapter holder block or non-flammable surface. Allow the cure adapter and connector to cool for approximately 4 minutes.

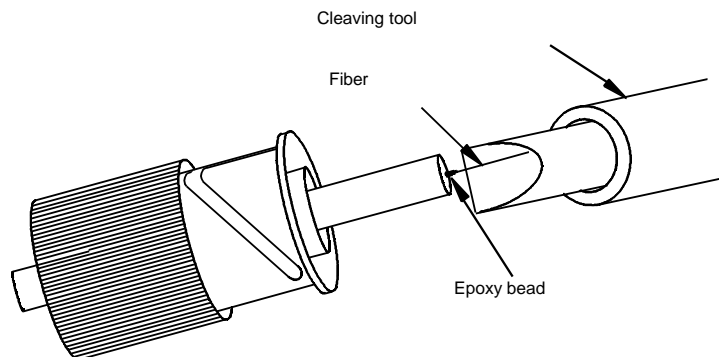
3.2.4 Polishing the fiber ends. Procedures for hand polishing are contained herein. Machine polishing may be used as an alternate method, provided the following requirements are satisfied:

- a. The manufacturer's instructions will be rigidly adhered to, except that the polishing papers or disks shall be aluminum oxide 5 µm foam backed and 1 µm mylar backed, as used in hand polishing. (NOTE: Alternate polishing materials may be used if authorized approval is obtained and the polishing machine includes the appropriate stops to prevent changes to the ferrule length.)
- b. The machine polished connector shall undergo the same quality check used for the manually polished connector as described herein.

NOTE: The procedures contained herein should produce an optical terminus with a physical contact (PC) polish.

- Step 1 - WARNING: Wear safety glasses when scoring the fiber to avoid possible eye injury.
- Remove the connector from the cure adapter and score the fiber close to the ferrule tip at the epoxy interface using one short light stroke with cleaving tool (see figure 5B1-9). (NOTE: Do not break the fiber with the cleaving tool.) Pull off the fiber with a gentle, straight pull. Deposit the waste fiber in a trash container.

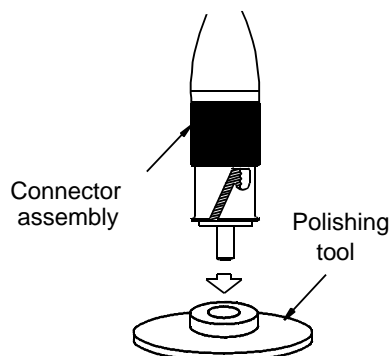
MIL-STD-2042-5A(SH)

FIGURE 5B1-9. Scoring the fiber.

- Step 2 - Clean the glass polishing plate, the backs of the polishing papers, and the surface of the polishing tool using a wipe dampened with alcohol. Blow all of the surfaces dry with air.

NOTE: Before inserting the connector into the polishing tool, the connector may be held vertically and the end of the fiber polished off by lightly running the 5 μ m polishing paper over the top of the ferrule tip. (This is referred to as air polishing the connector.)

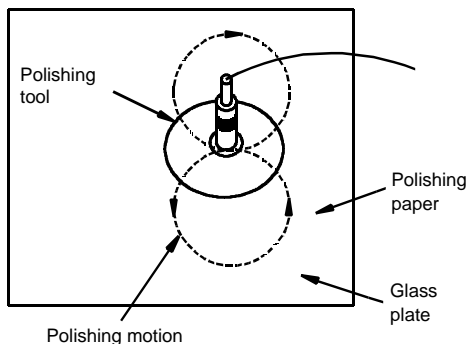
- Step 3 - Insert the connector into the polishing tool (see figure 5B1-10). (NOTE: Difficulty in inserting the connector ferrule into the polishing tool may indicate epoxy on outside of the ferrule which must be removed before proceeding.)

FIGURE 5B1-10. Inserting the connector into the polishing tool.

- Step 4 - Place the 5 μ m polishing paper on the glass plate and start polishing the connector with very light pressure (the weight of the tool) using a figure-8 motion (see figure 5B1-11). Do not overpolish the connector. (NOTE: The first polish is complete when all of the epoxy is gone from the tip of the ferrule.) Since the polishing time varies with the amount of epoxy present on the tip of the ferrule, inspect the ferrule tip frequently. Whenever the polishing tool is lifted, remove the grit from the tool and the ferrule with air. When polishing is complete, clean the ferrule and the polishing tool using a wipe dampened with alcohol and blow them dry with air. Perform a rough inspection of the ferrule end using the eye loop.

NOTE: For some ferrule designs all of the epoxy cannot be removed during the first polish and a slight epoxy haze will remain on the ferrule endface. This haze will be removed during the first 5 figure-8 motions of the second polish. If this occurs, polish the connector an additional 5 figure-8 motions during the second polish.

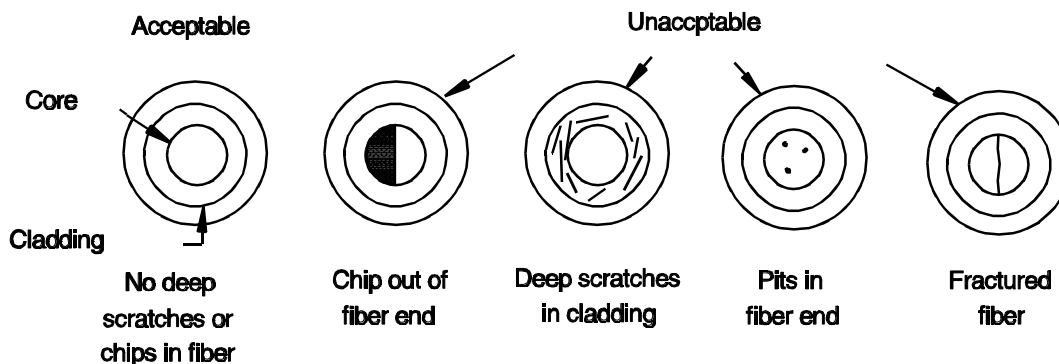
MIL-STD-2042-5A(SH)

FIGURE 5B1-11. Polishing the connector.

- Step 5 - Replace the 5 μ m paper with the 1 μ m paper. Wet the paper and polish the connector with very light pressure using a figure-8 motion for 10 to 20 complete motions.
- Step 6 - Remove the connector from the polishing tool, clean it using a wipe dampened with alcohol and blow it dry with air.

3.2.5 Quality check.

- Step 1 - Examine the connector with the optical microscope to ensure that the optical surface is smooth and free of scratches, pits, chips, and fractures. If any defects are present, repeat steps 2, 3, 5 and 6 or reterminate the fiber (see figure 5B1-12). (NOTE: Overpolishing the fiber will increase the optical loss of the connector. Do not polish the connector more than necessary to pass the quality check.) A high intensity back light may be used to illuminate the fiber during the quality check.

FIGURE 5B1-12. Quality check.

- Step 2 - If the connector is not to be immediately mated into an adapter, install a plastic protective cap over the connector ferrule.

MIL-STD-2042-5A(SH)

METHOD 5C1

MECHANICAL SPLICE FERRULE INSTALLATION

1. SCOPE.

1.1 Scope. This method describes a procedure for installing a MIL-S-24623/4 mechanical splice ferrule onto an OFCC.

NOTE: The MIL-S-24623/4 splice is a commercial based fiber splice commonly called a rotary mechanical splice. However, all commercial rotary mechanical splices are not compatible with the MIL-S-24623/4 splice. Only commercial rotary mechanical splices with ferrule diameters between 2.4996 mm and 2.5006 mm (AT&T letter code "M") are compatible with the MIL-S-24623/4 splice.

2. REQUIRED EQUIPMENT AND MATERIALS.

2.1 The equipment and materials in table 5C1-I shall be used to perform this procedure:

TABLE 5C1-I. Equipment and materials.

Description	Quantity
Wipes (NAVSEA DWG 6872812-18 or equal)	As required
Alcohol bottle with alcohol/2-propanol	1
Canned air or compressed air	As required
OFCC strip tool (NAVSEA DWG 6872812-10 or equal)	1
Kevlar shears (NAVSEA DWG 6872812-16 or equal)	1
UV absorbing safety glasses	1
Buffer strip tool (NAVSEA DWG 6872812-9 or equal)	1
UV cure adhesive (MIL-A-24793)	As required
Dispensing needles (NAVSEA DWG 6872812-22 or equal)	As required
UV blocking shield	As required
UV curing lamp and base (NAVSEA DWG 6872812-13 or equal)	1
Cleaver (NAVSEA DWG 6872812-7 or equal)	1
Utility knife	1
Glass polishing plate (NAVSEA DWG 6872812-3 or equal)	1
Polishing paper, 8 µm, aluminum oxide, paper backed (NAVSEA DWG 6872812-19 or equal)	As required
Polishing paper, 0.3 µm, aluminum oxide, paper backed (NAVSEA DWG 6872812-20 or equal)	As required
Polishing tool (NAVSEA DWG 6872812-4 or equal)	1
Water bottle (sealable type)	1
7x eye loupe	1
Protective caps (plastic)	As required

CAUTION: Throughout the termination process, cleanliness is critical to obtaining a high optical quality splice. Make sure that your hands and the work area are as clean as possible to minimize the ingress of dirt into the splice.

NOTE: Verify that the adhesive and index matching material shelf life has not expired. Do not use adhesive or index matching material with an expiration date that has passed.

MIL-STD-2042-5A(SH)

3. PROCEDURE.

3.1 Safety summary. The following safety precautions shall be observed:

- a. Safety glasses shall be worn at all times when handling bare fibers or dispensing adhesive.
- b. Do not touch the ends of the fiber as they may be razor sharp. Wash your hands after handling bare fiber.
- c. Avoid skin contact with adhesives.
- d. Do not stare into the end of a fiber until verifying that the fiber is not connected to a laser light source or LED.
- e. Ultraviolet (UV) safety glasses shall be worn when using the UV curing lamp.

3.2 Procedure.

3.2.1 Cable and fiber preparation.

NOTE: If the cable jacket has not been removed, refer to Method 2A1 and Method 2B1 of Part 2 of this standard practice.

NOTE: Keep the OFCCs and splice parts free from oil, dirt and grease throughout the installation procedure. If cleaning is necessary, use a wipe dampened with alcohol and blow the part dry with air.

Step 1 - Measure the OFCCs to the required length (refer to the equipment drawings or to Method 2C1 of Part 2 of this standard practice). Then add sufficient slack to allow for at least two reterminations [40 mm (1.60 inches) of slack should be sufficient for one retermination].

Step 2 - Slip the heat shrink tubing with the fiber identification over the OFCC.

Step 3 - Measure the distance from the expected splice position in the splice tray to the last OFCC tie down location, add approximately 60 mm (2.4 inches) and mark the OFCC jacket. Using the OFCC stripper, remove the OFCC jacket back to the mark.

Step 4 - Separate the kevlar strands from the buffered fiber and, using the kevlar shears, trim the strands back to the OFCC jacket edge.

Step 5 - **WARNING:** Wear safety glasses when removing the fiber buffer and coating to avoid possible eye injury.

Mark the fiber buffer 30 mm (1.20 in) back from the end of the fiber, and remove the fiber buffer and coating back to the mark using the buffer stripper. Remove the buffer and coating in small sections (approximately 6 mm (0.25 in) at a time.) (NOTE: Normally, the buffer and coating are tightly adhered to one another and come off of the fiber at the same time.)

Step 6 - **CAUTION:** The uncoated fiber is in its most vulnerable state. Take extreme care not to damage the fiber.

Remove any residual coating material from the bare fiber with a wipe dampened with alcohol. Wipe only once from the end of the buffer towards the end of the fiber. (NOTE: Do not repeatedly wipe the bare fiber as this will weaken the fiber.)

3.2.2 Installation of the ferrules onto the fibers.

Step 1 - Separate the ferrules by grasping both sides of an assembled ferrule pair with the thumb and index fingers. Simultaneously pull and slightly bend the ferrules until they separate. (NOTE: Do not twist the ferrules during separation.)

Note: If the ferrules are already separated and matching ferrule sets are not obvious, inspect the ferrules to verify that all of the ferrules are MIL-S-24623/4 ferrules. Unmatched ferrules can be mated with no reduction in optical performance only if the ferrules are MIL-S-24623/4.

Step 2 - Install the syringe tip on the UV adhesive syringe.

MIL-STD-2042-5A(SH)

- Step 3 - Cover the entire ferrule assembly with a UV blocking shield if the splicing procedure will be performed in direct or bright sunlight or under bright fluorescent lamps (NOTE: Normal ship lighting is not bright enough to cause the UV adhesive to cure prematurely.)
- Step 4 - **WARNING:** Wear safety glasses when dispensing epoxy to avoid possible eye injury.

Insert the tip of the syringe into rear of the splice ferrule until the syringe tip bottoms out. Slowly inject adhesive into the ferrule until a very small bead appears on the ferrule tip (see figure 5C1-1). (NOTE: Be extremely careful not to get adhesive on the splice spring or other splice moving parts.)

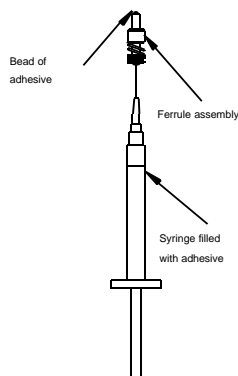


FIGURE 5C1-1. Injecting adhesive into the ferrule.

- Step 5 - Withdraw the syringe from the splice. Maintain some pressure on the plunger as the syringe is withdrawn so that the splice is completely filled with adhesive. Using a wipe dampened with alcohol, wipe away any adhesive on the outer diameter of the ferrule without disturbing the ferrule end. Place the syringe under a UV blocking shield or wipe.
- Step 6 - Carefully insert the stripped fiber into the ferrule until the buffer bottoms out (see figure 5C1-2). Once inserted, do not allow the fiber to slip back.

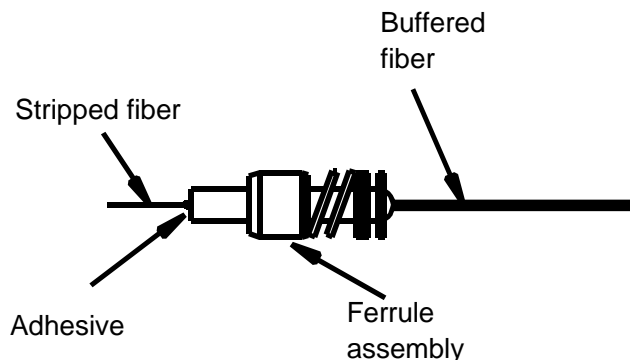


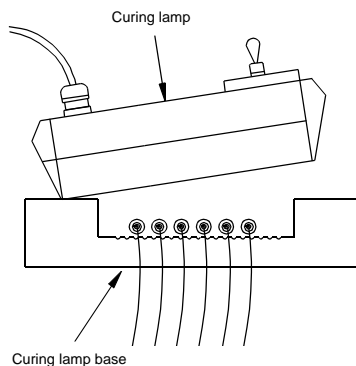
FIGURE 5C1-2. Inserting the fiber into the ferrule.

- Step 7 - Verify that there is a small amount of adhesive around the fiber where it protrudes from the ferrule. If it is found that there is no small bead of adhesive on the ferrule tip, carefully add a small amount of adhesive around the fiber. (NOTE: There should only be a small amount of adhesive around the fiber to support it later during the polishing process.)
- Step 8 - Using a wipe dampened with alcohol, carefully wipe away any adhesive on the fiber that is more than 2 mm (0.08 in) from the ferrule surface.

MIL-STD-2042-5A(SH)

3.2.3 Curing the adhesive.

- Step 1 - Remove the UV blocking shield, if it was used.
- Step 2 - Place the prepared ferrule on the curing lamp base. Position the UV curing lamp over the ferrule (see figure 5C1-3). Do not allow the ferrule to slide forward off of the fiber buffer. (NOTE: If possible, tape the OFCC's and the buffered fiber to any available surface during the curing period to avoid accidentally pulling the fibers out of the ferrules or the ferrules out from under the curing lamp.)

FIGURE 5C1-3. Positioning the curing lamp.

- Step 3 - **WARNING:** Wear UV safety glasses when using the curing lamp to avoid possible eye injury.

Turn on the curing lamp and cure the ferrules for a minimum of 2 minutes (maximum of 7 minutes).

- Step 4 - Turn off the curing lamp and lift it off the curing lamp base. Remove the cured ferrules from curing lamp base.

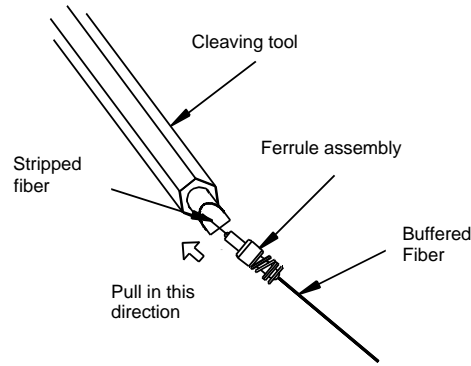
3.2.4 Polishing the fiber ends. Procedures for hand polishing are contained herein. Machine polishing may be used as an alternate method, provided the following requirements are satisfied:

- a. The manufacturer's instructions will be rigidly adhered to, except that the polishing papers or disks shall be 8 μm paper backed and 0.3 μm paper backed, as used in hand polishing. (NOTE: Alternate polishing materials may be used if authorized approval is obtained from the contracting activity.)
- b. The machine polished ferrule shall undergo the same quality check used for the manually polished ferrule as described herein.

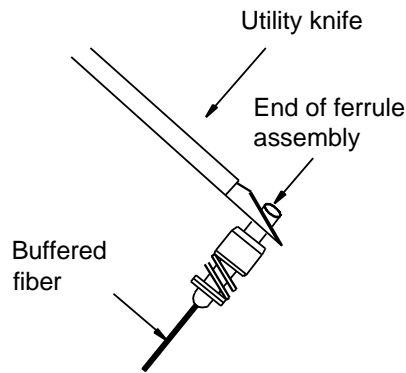
- Step 1 - **WARNING:** Wear safety glasses when scoring the fiber to avoid possible eye injury.

Score the fiber close to the ferrule tip at the epoxy interface using one short light stroke with cleaving tool (see figure 5C1-4). (NOTE: Do not break the fiber with the cleaving tool.) Pull off the fiber with a gentle, straight pull. Deposit the waste fiber in a trash container.

MIL-STD-2042-5A(SH)

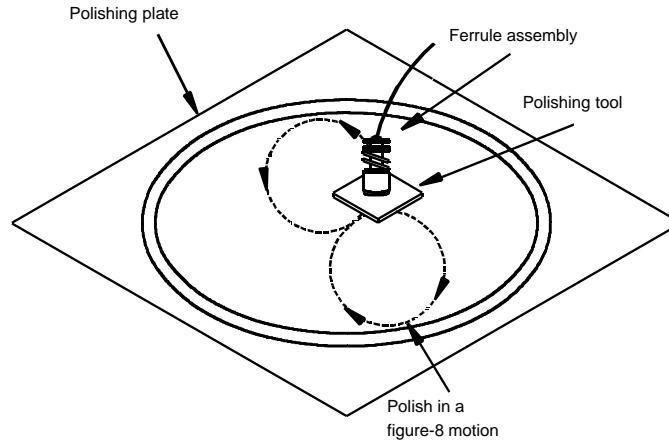
FIGURE 5C1-4. Scoring the fiber.

- Step 2 - Remove any adhesive on the cylindrical surface of the ferrule using a utility knife. Move the knife from the back to the front of the ferrule using a light force and a shallow working angle (see figure 5C1-5). (NOTE: Be careful not to scratch the ferrule end.)

FIGURE 5C1-5. Removing the excess adhesive.

- Step 3 - Clean the glass polishing plate, the backs of the polishing papers, and the surface of the polishing tool using a wipe dampened with alcohol. Blow all of the surfaces dry with air.
- Step 4 - Insert the ferrule into the polishing tool.
- Step 5 - Place the 8 μm polishing paper on the glass plate. Wet the paper and start polishing the ferrule with very light pressure (the weight of the tool) using a figure-8 motion (see figure 5C1-6). Polish the ferrule until the adhesive is gone and the ferrule surface is unmarked. Since the polishing time varies with the amount of adhesive present on the tip of the ferrule, inspect the ferrule tip frequently using the eye loupe. Whenever the polishing tool is lifted, remove the grit from the tool and the ferrule with air.

MIL-STD-2042-5A(SH)

FIGURE 5C1-6. Polishing the ferrule.

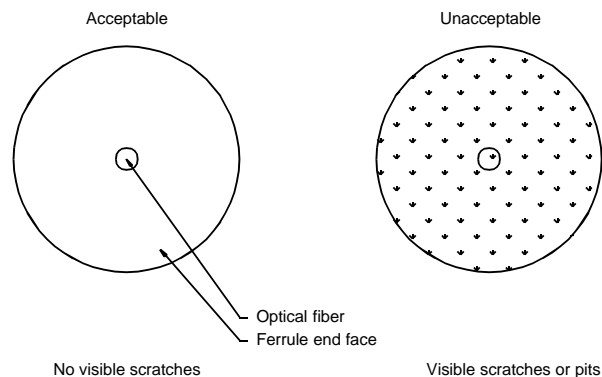
- Step 6 - Replace the 8 μ m paper with the 0.3 μ m paper. Wet the paper and polish the connector with very light pressure using a figure-8 motion for 5 to 10 complete motions.

NOTE: Do not over polish; 10 figure-8's should be adequate.

- Step 7 - Remove the ferrule from the tool and clean both with a wipe dampened with alcohol and blow dry with air.

3.2.5 Quality check.

- Step 1 - Examine the ferrule with the eye loupe to ensure that the optical surface is smooth and free of scratches, pits, chips, and fractures (see figure 5C1-7). If any defects are present, repeat steps 3, 4, 6 and 7 or reterminate the fiber. (NOTE: Overpolishing the fiber will increase the optical loss of the splice. Do not polish the ferrule more than necessary to pass the quality check.)

FIGURE 5C1-7. Quality check.

- Step 2 - If the splice is not to be immediately mated in an alignment clip, install a plastic protective cap over the splice ferrule.

STANDARDIZATION DOCUMENT IMPROVEMENT PROPOSAL

INSTRUCTIONS

1. The preparing activity must complete blocks 1, 2, 3, and 8. In block 1, both the document number and revision letter should be given.
2. The submitter of this form must complete blocks 4, 5, 6, and 7.
3. The preparing activity must provide a reply within 30 days from receipt of the form.

NOTE: This form may not be used to request copies of documents, nor to request waivers, or clarification of requirements on current contracts. Comments submitted on this form do not constitute or imply authorization to waive any portion of the referenced document(s) or to amend contractual requirements.

I RECOMMEND A CHANGE:

1. DOCUMENT NUMBER

MIL-STD-2042-5A(SH)

2. DOCUMENT DATE (YYMMDD)

970929

3. DOCUMENT TITLE

FIBER OPTIC CABLE TOPOLOGY INSTALLATION STANDARD METHODS FOR NAVAL SHIPS (CONNECTORS AND

4. NATURE OF CHANGE (Identify paragraph number and include proposed rewrite, if possible. Attach extra sheets as needed.)
INTERCONNECTIONS)

5. REASON FOR RECOMMENDATION

6. SUBMITTER

a. NAME (Last, First, Middle Initial)

b. ORGANIZATION

c. ADDRESS (Include Zip Code)

d. TELEPHONE (Include Area Code)

7. DATE SUBMITTED

(1) Commercial

(YYMMDD)

(2) AUTOVON

(If applicable)

8. PREPARING ACTIVITY

a. NAME

THE TECHNICAL POINT OF CONTACT IS:
DR. CHARLES COURCHAINE 03J2

b. TELEPHONE (Include Area Code)

(1) Commercial

(2) AUTOVON

(703) 602-7241

332-7241

c. ADDRESS (Include Zip Code)

Commander, Naval Sea Systems Command, SEA 03R42
2531 Jefferson Davis Hwy.
Arlington, VA 22242-5160**IF YOU DO NOT RECEIVE A REPLY WITHIN 45 DAYS, CONTACT:**

Defense Quality and Standardization Office

5203 Leesburg Pike, Suite 1403, Falls Church, VA 22041-3466

Telephone (703) 758-2340 AUTOVON 289-2340