

NOTE: The cover page of this standard has been changed for administrative reasons. There are no other changes to this document.

INCH-POUND

MIL-STD-1532A
25 March 1988
SUPERSEDING
MIL-STD-1532(USAF)
1 October 1972

DEPARTMENT OF DEFENSE

INTERFACE STANDARD

INSERT ARRANGEMENTS
FOR
MIL-C-83733 RACK TO PANEL CONNECTORS,
SHELL SIZE B



DEPARTMENT OF DEFENSE
Washington, D.C. 20301

Insert Arrangements for MIL-C-83733
Rack to Panel Connectors, Shell Size B

1. This Military Standard is approved for use by the Department of the Air Force.
2. Beneficial comments (recommendations, additions, deletions) and any pertinent data which may be of use in improving this document should be addressed to 2750 Air Base Wing (AFLC), ATTN: ES, Gentile Air Force Station, Dayton, Ohio 45444 by using the self-addressed Standardization Document Improvement Proposal (DD Form 1426) appearing at the end of this document or by letter.

CONTENTS

	<u>Page</u>
1. SCOPE- - - - -	1
2. REFERENCED DOCUMENT- - - - -	1
2.1 Government document- - - - -	1
2.1.1 Specification- - - - -	1
3. DEFINITIONS- - - - -	1
3.1 Definitions- - - - -	1
4. GENERAL REQUIREMENTS (not applicable)- - - - -	1
5. DETAIL REQUIREMENTS- - - - -	1
5.1 Dimensions - - - - -	1
5.2 Marking- - - - -	1
5.3 Drawing notes- - - - -	1
6. NOTES- - - - -	1
6.1 Subject term (key word) listing- - - - -	1
6.2 Changes from previous issue- - - - -	1

FIGURE

1 Dimensions and configurations- - - - -	2
--	---

1. SCOPE

1.1 Scope. This standard covers insert arrangements for use with MIL-C-83733 rack to panel connectors, shell size B. It is used to control the dimensions and configuration of insert patterns and the contact sizes.

2. REFERENCED DOCUMENT

2.1 Government document.

2.1.1 Specification. The following specification forms a part of this standard to the extent specified herein. Unless otherwise specified, the issue of this document shall be that listed in the issue of the Department of Defense Index of Specifications and Standards (DODISS) and supplement thereto, cited in the solicitation.

SPECIFICATION

MILITARY

MIL-C-83733 - Connectors, Electrical, Miniature, Rectangular Type, Rack to Panel, Environment Resisting, 200 C Total Continuous Operating Temperature, General Specification For.

(Copies of the specification required by contractors in connection with specific acquisition functions should be obtained from the contracting activity or as directed by the contracting activity.)

3. DEFINITIONS

3.1 Definitions. The terms used in this standard are generally accepted by the electrical and electronics industries and commonly used in electrical connector engineering practice.

4. GENERAL REQUIREMENTS: Not applicable.

5. DETAIL REQUIREMENTS

5.1 Dimensions. Dimensions shall be in accordance with figure 1.

5.2 Marking. Marking shall be in accordance with MIL-C-83733 and as shown on figure 1.

* 5.3 Drawing notes. Unless otherwise specified, the following information is applicable to all figures of this military standard.

a. Dimensions are in inches.

b. Metric equivalents are given for general information only.

c. Unless otherwise specified, tolerances are ± 0.005 .

6. NOTES

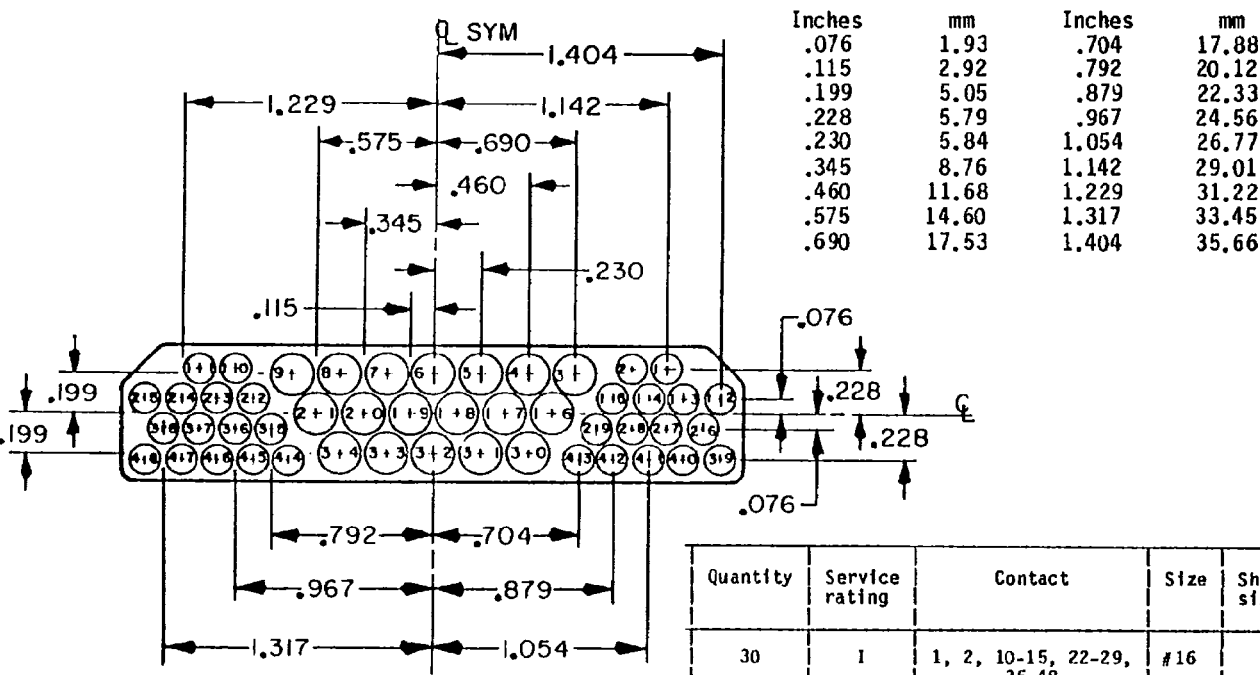
* 6.1 Subject term (key word) listing.

Connectors, rack to panel

Connectors, MIL-C-83733

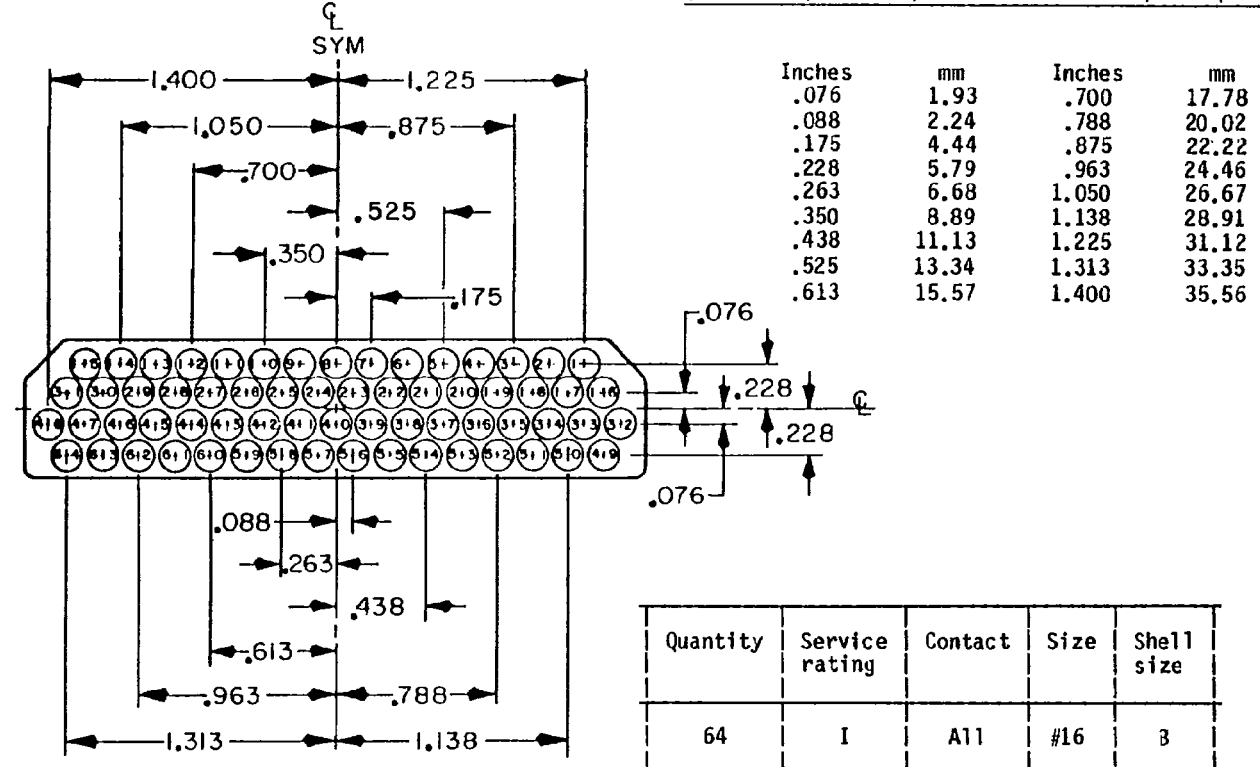
Insert arrangements

6.2 Changes from previous issue. The margins of this standard are marked with asterisks to indicate where changes (additions, modifications, corrections, deletions) from the previous issue were made. This was done as a convenience only and the Government assumes no liability whatsoever for any inaccuracies in these notations. Bidders and contractors are cautioned to evaluate the requirements of this document based on the entire content irrespective of the marginal notations and relationship to the last previous issue.



FACE VIEW PIN INSERT
048 LAYOUT

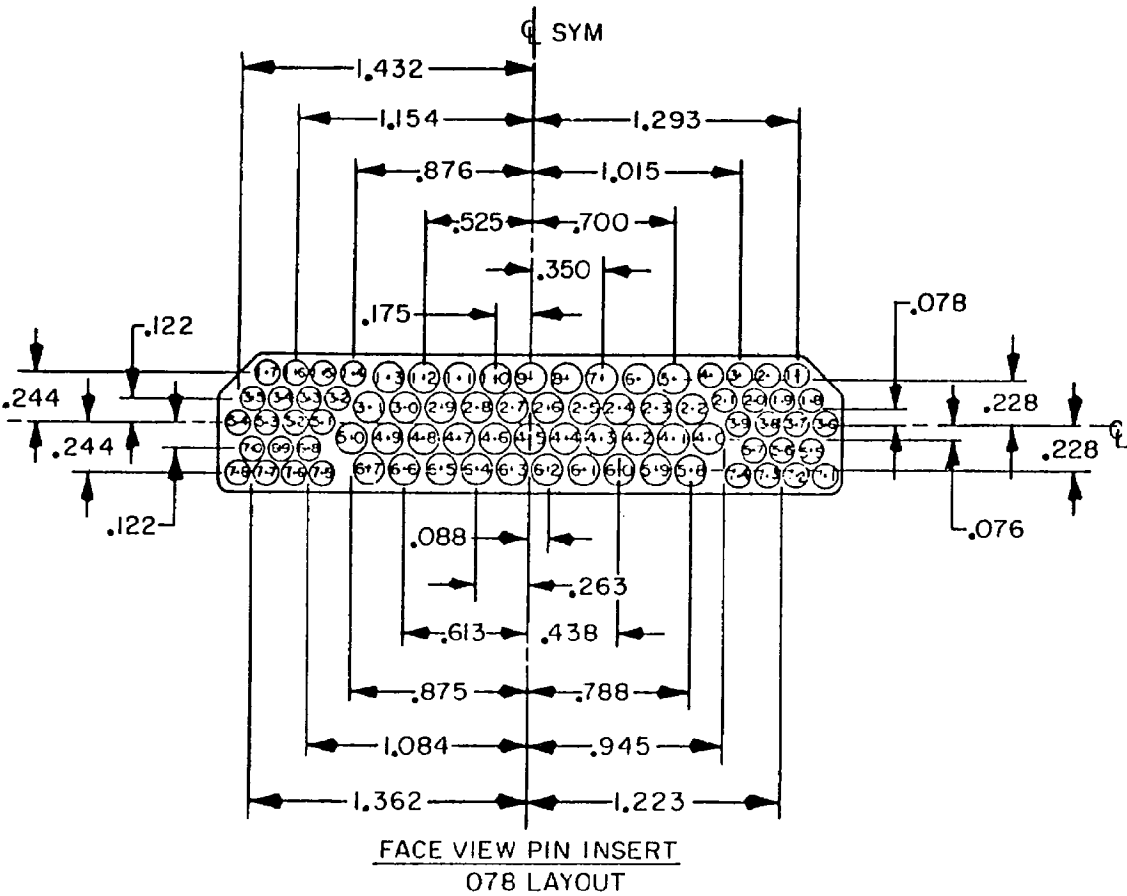
Quantity	Service rating	Contact	Size	Shell size
30	I	1, 2, 10-15, 22-29, 35-48	#16	B
18	I	All others	#12	



FACE VIEW PIN INSERT
064 LAYOUT

Quantity	Service rating	Contact	Size	Shell size
64	I	All	#16	B

FIGURE 1. Dimensions and configurations.



Quantity	Service rating	Contact	Size
38	I	1-4, 14-21, 32-39, 51-57, 68-78	#20
40	I	5-13, 22-31, 40-50, 58-67	#16
Shell size B			

Inches	mm	Inches	mm	Inches	mm
.076	1.93	.350	8.89	.945	24.00
.078	1.98	.438	11.13	1.015	25.78
.088	2.24	.525	13.34	1.084	27.53
.122	3.10	.613	15.57	1.154	29.31
.175	4.44	.700	17.78	1.223	31.06
.228	5.79	.788	20.02	1.293	32.84
.244	6.20	.875	22.22	1.362	34.59
.263	6.68	.876	22.25	1.432	36.37

FIGURE 1. Dimensions and configurations - Continued.

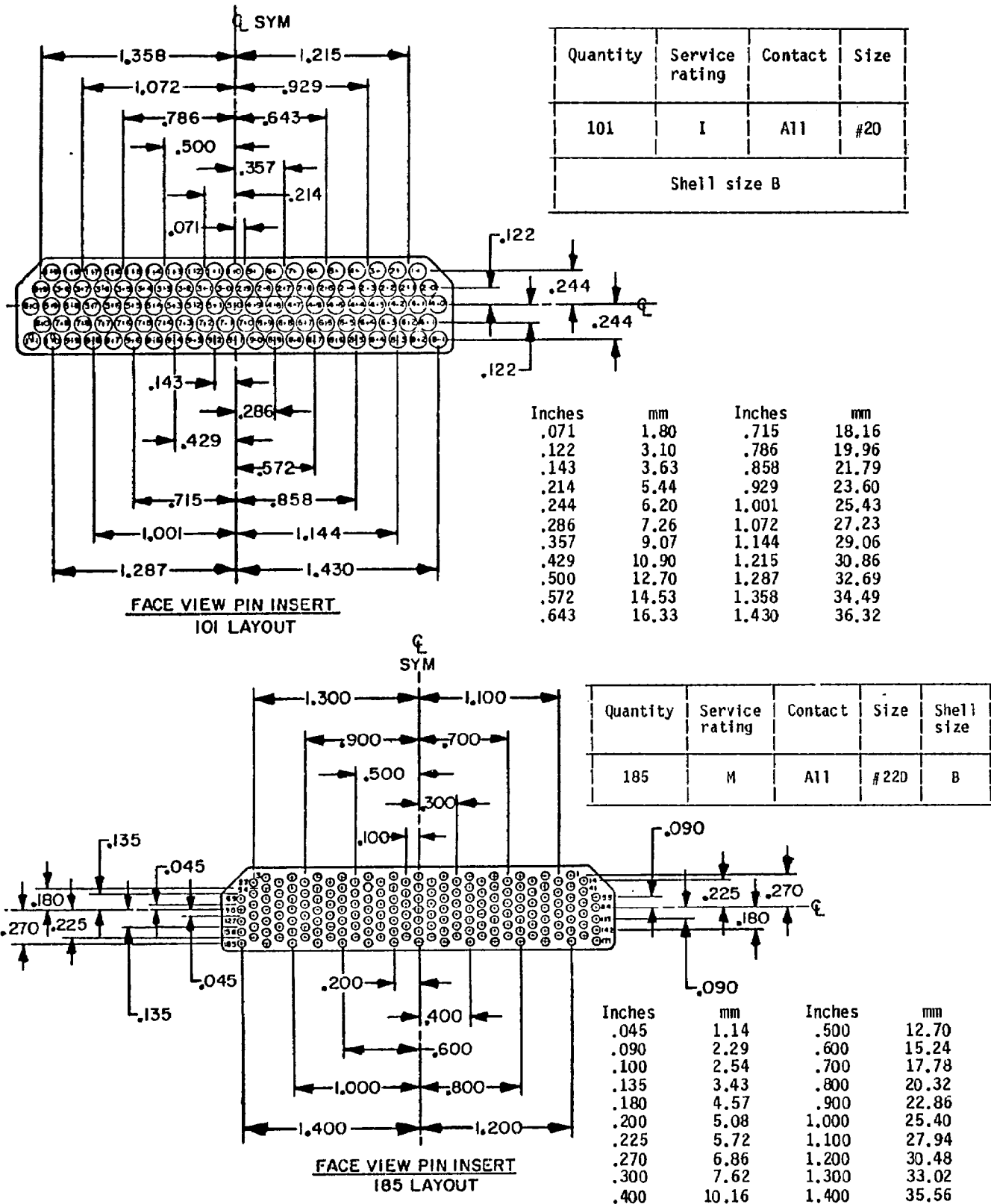


FIGURE 1. Dimensions and configurations - Continued.

Custodian:
Air Force - 85

Review activities:
Air Force - 70, 82, 99

User activity:
Air Force - 11

Preparing activity:
Air Force - 85

Agent:
DLA - ES

(Project 5935-F297)