

MIL-STD-1560A
NOTICE 3
15 JUNE 1984

MILITARY STANDARD

INSERT ARRANGEMENTS FOR MIL-C-38999
AND MIL-C-27599 ELECTRICAL,
CIRCULAR CONNECTORS

TO ALL HOLDERS OF MIL-STD-1560A:

1. THE FOLLOWING PAGES OF MIL-STD-1560A HAVE BEEN REVISED AND SUPERSEDE THE PAGES LISTED:

<u>NEW PAGE</u>	<u>DATE</u>	<u>SUPERSEDED PAGE</u>	<u>DATE</u>
107.3	1 December 1975	(REPRINTED WITHOUT CHANGE)	
107.4	15 June 1984	107.4	1 December 1975
109.7	1 December 1975	(REPRINT WITHOUT CHANGE)	
109.8	15 June 1984	109.8	20 November 1981
202.1	1 December 1975	(REPRINT WITHOUT CHANGE)	
202.2	15 June 1984	202.2	1 December 1975

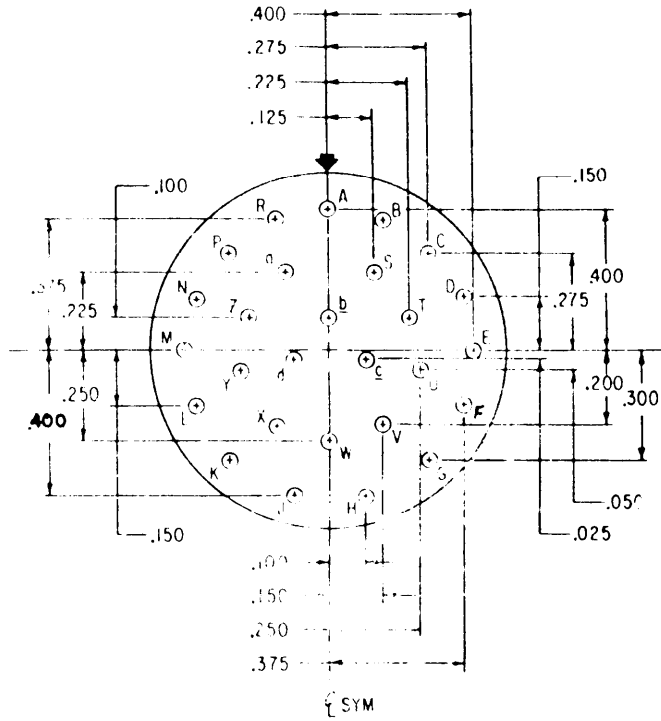
2. RETAIN THIS NOTICE AND INSERT BEFORE TABLE OF CONTENTS.

3. Holders of MIL-STD-1560A will verify that page changes and additions indicated above have been entered. This notice page will be retained as a check sheet. This issuance, together with appended pages, is a separate publication. Each notice is to be retained by stocking points until the Military Standard is completely revised or canceled.

Custodians:
Army - CR
Navy - AS
Air Force - 85

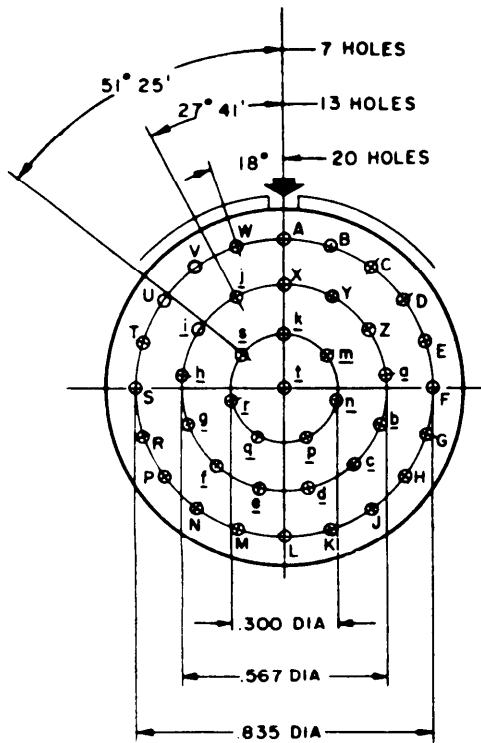
Preparing activity:
Air Force - 85
(project 5935-3389)

Review activities:
Army - AR, MI
Navy - EC, MS, OS
Air Force - 11, 15, 17, 99
DLA - ES



INCHES	MM	INCHES	MM
.025	.64	.200	5.08
.075	1.91	.250	6.35
.100	2.54	.300	7.62
.150	3.81	.350	8.89
.175	4.45	.375	9.53
		.400	10.16

Shell size	Arrangement No.	Number of contacts	Size contacts	Service rating	Contact location	Supersedes document
21	-27	27	20	I	A11	MS20055-27

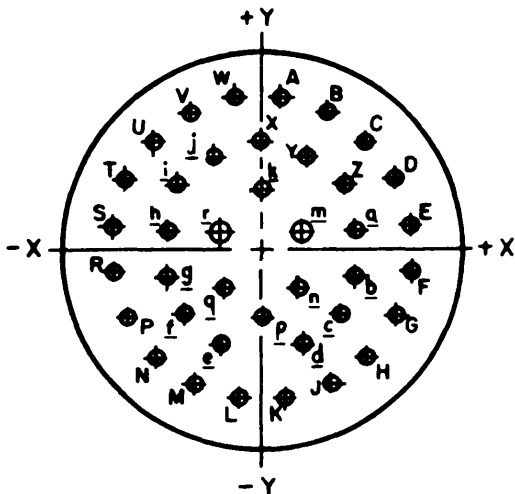


INCHES	MM
.300	7.62
.567	14.40
.835	21.21

Shell size	Arrangement No.	Number of contacts	Size contacts
21	-41	41	20

Service rating	Contact location	Supersedes document
I	A11	MS20055-41

MIL-STD-1560A
15 JUNE 1984

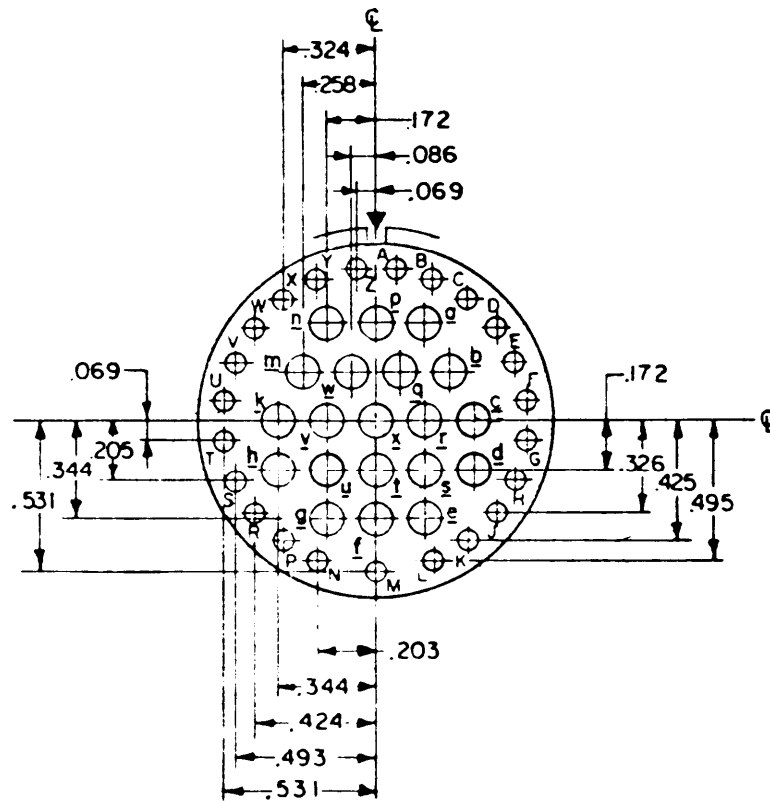


CONTACT LOCATION					
CONTACT LETTER	LOCATION		CONTACT LETTER	LOCATION	
	X AXIS	Y AXIS		X AXIS	Y AXIS
A	+ .065	+ .411	X	.000	+ .295
B	+ .189	+ .371	Y	+ .126	+ .256
C	+ .294	+ .294	Z	+ .232	+ .179
D	+ .371	+ .189	a	+ .280	+ .057
E	+ .411	+ .065	b	+ .280	- .074
F	+ .411	- .065	c	+ .217	- .189
G	+ .371	- .189	d	+ .112	- .265
H	+ .294	- .294	e	- .112	- .265
J	+ .189	- .371	f	- .217	- .189
K	+ .065	- .411	g	- .280	- .074
L	- .065	- .411	h	- .280	+ .057
M	- .189	- .371	i	- .232	+ .179
N	- .294	- .294	j	- .126	+ .256
P	- .371	- .189	k	.000	+ .164
R	- .411	- .065	m	+ .114	+ .048
S	- .411	+ .065	n	+ .106	- .107
T	- .371	+ .189	p	.000	- .189
U	- .294	+ .294	q	- .106	- .107
V	- .189	+ .371	r	- .114	+ .043
W	- .065	+ .411			

INCHES	MM	INCHES	MM	INCHES	MM
.048	1.22	.114	2.90	.256	6.50
.057	1.45	.126	3.20	.265	6.73
.065	1.65	.164	4.17	.280	7.11
.074	1.88	.179	4.55	.294	7.47
.106	2.69	.189	4.80	.295	7.49
.107	2.72	.217	5.51	.371	9.42
.112	2.84	.232	5.89	.411	10.44

Shell size	Arrangement No.	Number of contacts	Size contacts	Service rating	Contact location	Supersedes document
21	-39	2	16	I	r, m	MS20055-39
		37	20		All others	

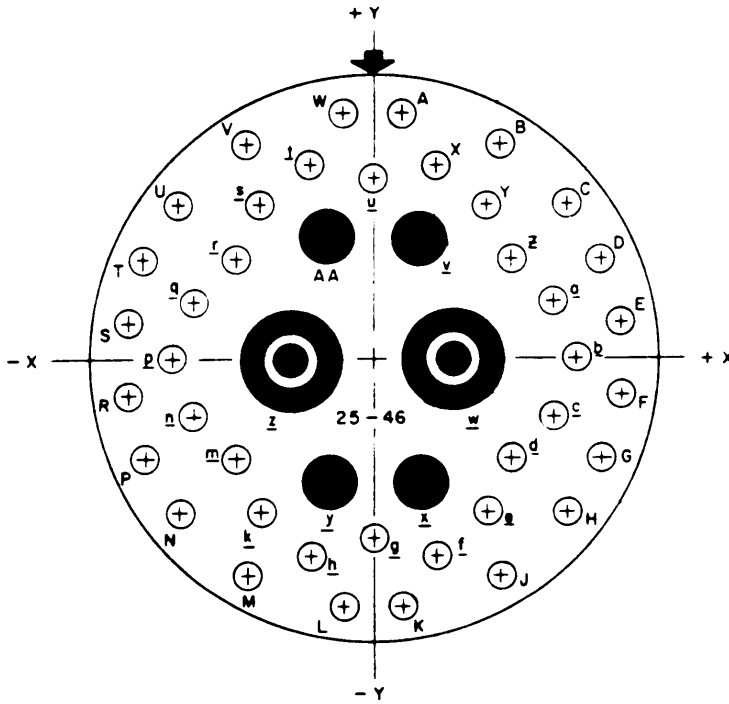
SECTION 107A
Supersedes page 107.4 of 1 December 1975.



INCHES	MM	INCHES	MM
.069	1.75	.326	8.28
.086	2.18	.344	8.78
.172	4.37	.424	10.77
.203	5.16	.425	10.80
.205	5.21	.493	12.52
.258	6.55	.495	12.57
.324	8.23	.531	13.49

Shell size	Arrangement No.	Number of contacts	Size contacts	Service rating	Contact location	Supersedes document
25	-43	20	16	I	a, b, c, d, e, f, g, h, k, m, n, p, q, r, s, t, u, v, w, x	MS20057-43
		23	20		All others	

MI L-STD-1560A
15 JUNE 1984



CONTACT LOCATION					
CONTACT LETTER	LOCATION		CONTACT LETTER	LOCATION	
	X AXIS	Y AXIS		X AXIS	Y AXIS
A	+ .065	+ .533	g	+.404	+.125
B	+ .275	+ .466	h	+.437	.000
C	+ .420	+ .337	i	+.404	-.125
D	+.490	+.227	j	+.314	-.221
E	+.531	+.093	k	+ .245	-.337
F	+.531	-.093	l	+ .136	-.424
G	+.490	-.227	m	.000	-.395
H	+ .420	-.337	n	-.136	-.424
J	+ .275	-.466	o	-.245	-.337
K	+ .065	-.533	p	-.314	-.221
L	-.065	-.533	q	-.404	-.125
M	-.275	-.466	r	-.437	.000
N	-.420	-.337	s	-.404	+.125
P	-.490	-.227	t	-.314	+.221
R	-.531	-.093	u	-.245	+.337
S	-.531	+.093	v	-.136	+.424
T	-.490	+.227	w	.000	+.395
U	-.420	+ .337	x	+ .097	+ .265
V	-.275	+ .466	y	+ .180	.000
W	-.065	+ .533	z	+ .097	-.265
X	+ .136	+ .424	AA	-.097	-.265
Y	+ .245	+ .337		-.180	.000
Z	+.314	+.221			
AA					

INCHES	MM	INCHES	MM	INCHES	MM
.065	1.65	.227	5.77	.420	10.67
.093	2.36	.245	6.22	.424	10.77
.097	2.46	.265	6.73	.437	11.10
.125	3.18	.275	6.99	.466	11.84
.136	3.45	.314	7.98	.490	12.45
.180	4.57	.337	8.56	.531	13.49
.221	5.61	.395	10.03	.533	13.54
		.404	10.26		

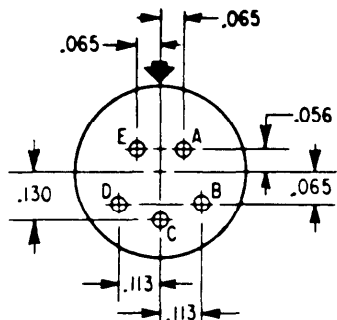
Shell size	Arrangement No.	Number of contacts	Size contacts	Service rating	Contact location	Supersedes document
25	-46	2	No. 8 COAX	COAX	z,w	MS20057-46
		4	16	I	AA,v x,y	
		40	20		All others	

SECTION 109A
Supersedes Page 109.8 of 20 November 1981

SECTION 202

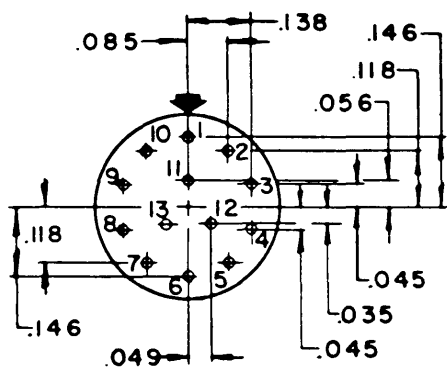
INSERT ARRANGEMENT, ELECTRICAL CONNECTOR

SHELL SIZE 10



INCHES	MM
.056	1.42
.065	1.65
.113	2.87
.130	3.30

Shell size	Arrangement No.	Number of contacts	Size contacts	Service rating	Contact location	Supersedes document
10	-5	5	20	I	All	MS27344-5

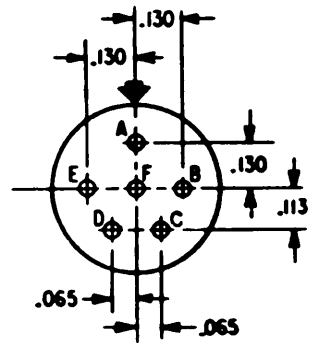


INCHES	MM	INCHES	MM
.035	.89	.085	2.16
.045	1.14	.118	3.00
.049	1.24	.138	3.51
.056	1.42	.146	3.71

(Inactive for new design for MIL-C-38999.)

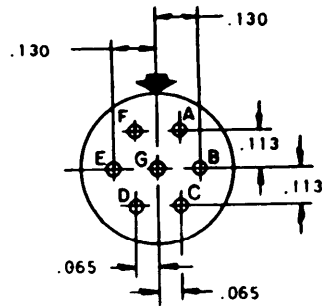
Shell size	Arrangement No.	Number of contacts	Size contacts	Service rating	Contact location	Supersedes document
10	-13	13	22M	M	All	MS27344-13

MIL-STD-1560A
15 JUNE 1984



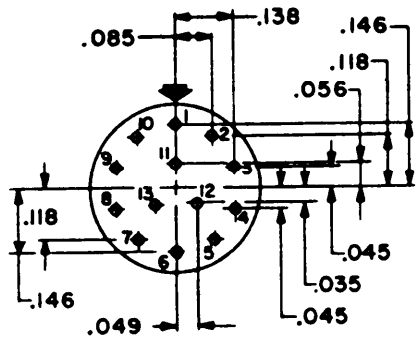
INCHES	MM
.065	1.65
.113	2.87
.130	3.30

Shell size	Arrangement No.	Number of contacts	Size contacts	Service rating	Contact location	Supersedes document
10	-98	6	20	I	A11	MS27344-98



INCHES	MM
.065	1.65
.113	2.87
.130	3.30

Shell size	Arrangement No.	Number of contacts	Size contacts	Service rating	Contact location	Supersedes document
10	-99	7	20	I	A11	MS27344-99



INCHES	MM	INCHES	MM
.035	.89	.085	2.16
.045	1.14	.118	3.00
.049	1.24	.138	3.51
.056	1.42	.146	3.71

(Applicable to MIL-C-38999 only.)

Shell size	Arrangement No.	Number of contacts	Size contacts	Service rating	Contact location	Supersedes document
10	-35	13	22D	M	A11	MS27517-35

SECTION 202A
Supersedes page 202.2 of 1 December 1975.