

INCH-POUND

MIL-STD-1554A
2 February 2009
SUPERSEDING
MIL-STD-1554
1 July 1975

DEPARTMENT OF DEFENSE INTERFACE STANDARD

INSERT ARRANGEMENTS
FOR MIL-DTL-83723 SERIES III AND MIL-DTL-26500
ENVIRONMENT RESISTING, CIRCULAR, ELECTRICAL CONNECTORS



AMSC N/A

FSC 5935

MIL-STD-1554A

FORWARD

1. This standard is approved for use by all Departments and Agencies of the Department of Defense.
2. Comments, suggestions, or questions on this document should be addressed to Commander, Defense Supply Center Columbus, ATTN: VAI, P.O. Box 3990, Columbus, Ohio, 43218-3990 or emailed to CircularConnector@dla.mil. Since contact information can change, you may want to verify the currency of this address information using the ASSIST Online database at <http://assist.daps.dla.mil>.

MIL-STD-1554A

CONTENTS

<u>PARAGRAPH</u>	<u>PAGE</u>
<u>FORWARD</u>	ii
1. <u>SCOPE</u>	1
1.1 Scope	1
2. <u>APPLICABLE DOCUMENTS</u>	1
2.1 General	1
2.2 Government documents	1
2.2.1 Specifications, standards, and handbooks	1
2.2.2 Non-Government publications	1
2.3 Order of precedence	2
3. <u>DEFINITIONS</u>	2
3.1 Definitions	2
4. <u>GENERAL REQUIREMENTS</u>	2
4.1 Recycled, recovered, or environmentally preferable materials	2
5. <u>DETAILED REQUIREMENTS</u>	3
5.1 Dimensions	3
5.2 Polarization	7
5.3 Contacts	7
5.4 Marking	9
5.5 Drawing notes	10
6. <u>NOTES</u>	10
6.1 Intended use	10
6.2 Cross-reference	10
6.3 Subject term (key word) listing	11
6.4 Changes from previous issue	11
<u>FIGURE</u>	
1. Polarization	4
2. Insert arrangement, electrical connector, shell size 8 (MIL-DTL-26500 and MIL-DTL-83723 Series III)	12
3. Insert arrangement, electrical connector, shell size 10 (MIL-DTL-26500 and MIL-DTL-83723 Series III)	15
4. Insert arrangement, electrical connector, shell size 12 (MIL-DTL-26500 and MIL-DTL-83723 Series III)	19
5. Insert arrangement, electrical connector, shell size 14 (MIL-DTL-26500 and MIL-DTL-83723 Series III)	21

MIL-STD-1554A

6.	Insert arrangement, electrical connector, shell size 16 (MIL-DTL-26500 and MIL-DTL-83723 Series III)	26
7.	Insert arrangement, electrical connector, shell size 18 (MIL-DTL-26500 and MIL-DTL-83723 Series III)	28
8.	Insert arrangement, electrical connector, shell size 20 (MIL-DTL-26500 and MIL-DTL-83723 Series III)	32
9.	Insert arrangement, electrical connector, shell size 22 (MIL-DTL-26500 and MIL-DTL-83723 Series III)	39
10.	Insert arrangement, electrical connector, shell size 24 (MIL-DTL-26500 and MIL-DTL-83723 Series III)	47
	CONCLUDING MATERIAL	55

MIL-STD-1554A

1. SCOPE

1.1 Scope. This standard covers insert arrangements for use with MIL-DTL-83723 series III and MIL-DTL-26500 environment resisting, circular, electrical connectors.

2. APPLICABLE DOCUMENTS

2.1 General. The documents listed in this section are specified in sections 3, 4, and 5 of this standard. This section does not include documents cited in other sections of this standard or recommended for additional information or as examples. While every effort has been made to ensure the completeness of this list, document users are cautioned that they must meet all specified requirements of documents cited in sections 3, 4, and 5 of this standard whether or not they are listed.

2.2 Government documents.

2.2.1 Specifications, standards, and handbooks. The following specifications, standards, and handbooks form a part of this document to the extent specified herein. Unless otherwise specified, the issues of these documents are those cited in the solicitation or contract.

DEPARTMENT OF DEFENSE SPECIFICATIONS

- MIL-DTL-26500 - Connectors, General Purpose, Electrical, Miniature, Circular, Environment Resisting, General Specification for.
- MIL-DTL-83723 - Series III - Connectors, Electrical, (Circular, Environment Resisting), Receptacles and Plugs, General Specification for.

(Copies these documents are available online at <http://assist.daps.dla.mil/quicksearch/> or from the Standardization Documents Order Desk, 700 Robbins Avenue, Building 4D, Philadelphia, PA 19111-5094.)

2.2.2 Non-Government publications. The following documents form a part of this document to the extent specified herein. Unless otherwise specified, the issues of these documents are those cited in the solicitation or contract.

ASME INTERNATIONAL

- ASME Y14.5M - Dimensioning and Tolerancing

(Copy of this document is available online at <http://www.asme.org> or from the ASME International, Three Park Avenue, New York, NY 10016-5990.)

SAE INTERNATIONAL

- SAE AS39029/4 - Contacts, Electrical Connector, Pin, Crimp Removable (For MIL-C-26482 Series 2, MIL-C-81703 Series 3, MIL-C-83723 Series I and III, and MIL-C-83733 Connectors).
- SAE AS39029/5 - Contacts, Electrical Connector, Socket, Crimp Removable (For MIL-C-26482 Series 2, AS81703 Series 3, MIL-C-83723 Series I and III, and MIL-C-83733 Connectors and MIL-S-12883/40 and /41 Relay Sockets).

MIL-STD-1554A

- SAE AS39029/9 - Contacts, Electrical Connector, Pin, Crimp Removable, Thermocouple, (For MIL-C-26482 Series 2, MIL-C-81703 Series 3, MIL-C-83723 Series 3, and MIL-C-83733 Connectors).
- SAE AS39029/10 - Contacts, Electrical Connector, Socket, Crimp Removable, Thermocouple, (For MIL-C-26482 Series 2, MIL-C-81703 Series 3, MIL-C-83723 Series 3, and MIL-C-83733 Connectors).
- SAE AS39029/31 - Contacts, Electrical Connector, Pin, Crimp Removable, (For MIL-C-26482 Series I, MIL-C-26500 and MIL-C-26518 Connectors).
- SAE AS39029/32 - Contacts, Electrical Connector, Socket, Crimp Removable, (For MIL-C-26482 Series I, MIL-C-26500 and MIL-C-26518 Connectors).
- SAE AS39029/54 - Contacts, Electrical Connector, Pin, Crimp Removable, Shielded (For MIL-C-26500 (USAF) and MIL-C-26518 (USAF) Connectors).
- SAE AS39029/55 - Contacts, Electrical Connector, Socket, Crimp Removable, Shielded (For MIL-C-26500 (USAF) and MIL-C-26518 (USAF) Connectors).
- SAE AS39029/74 - Contacts, Electrical Connectors, Pin, Solder, Removable, Shielded, Size 12 (For MIL-C-83723 Series III, MIL-C-26482 Series 2, MIL-C-83733 and DOD-C-83527 Connectors).
- SAE AS39029/73 - Contacts, Electrical Connectors, Socket, Solder, Removable, Shielded, Size 12 (For MIL-C-83723 Series III, MIL-C-26482 Series 2, MIL-C-83733 and DOD-C-83527 Connectors).

(Copies of these documents are available online at <http://www.sae.org> or from the SAE World Headquarters, 400 Commonwealth Drive, Warrendale, PA 15096-0001.)

2.3 Order of precedence. Unless otherwise noted herein or in the contract, in the event of a conflict between the text of this document and the references cited herein, the text of this document takes precedence. Nothing in this document, however, supersedes applicable laws and regulations unless a specific exemption has been obtained.

3. DEFINITIONS

3.1 Definitions. The terms used in this standard are generally accepted by the electrical and electronics industries and commonly used in electrical connector engineering practice.

4. GENERAL REQUIREMENTS

4.1 Recycled, recovered, or environmentally preferable materials. Recycled, recovered, or environmentally preferable materials should be used to the maximum extent possible, provided that the materials meets or exceeds the operational and maintenance requirements, and promotes economical advantageous life cycle costs.

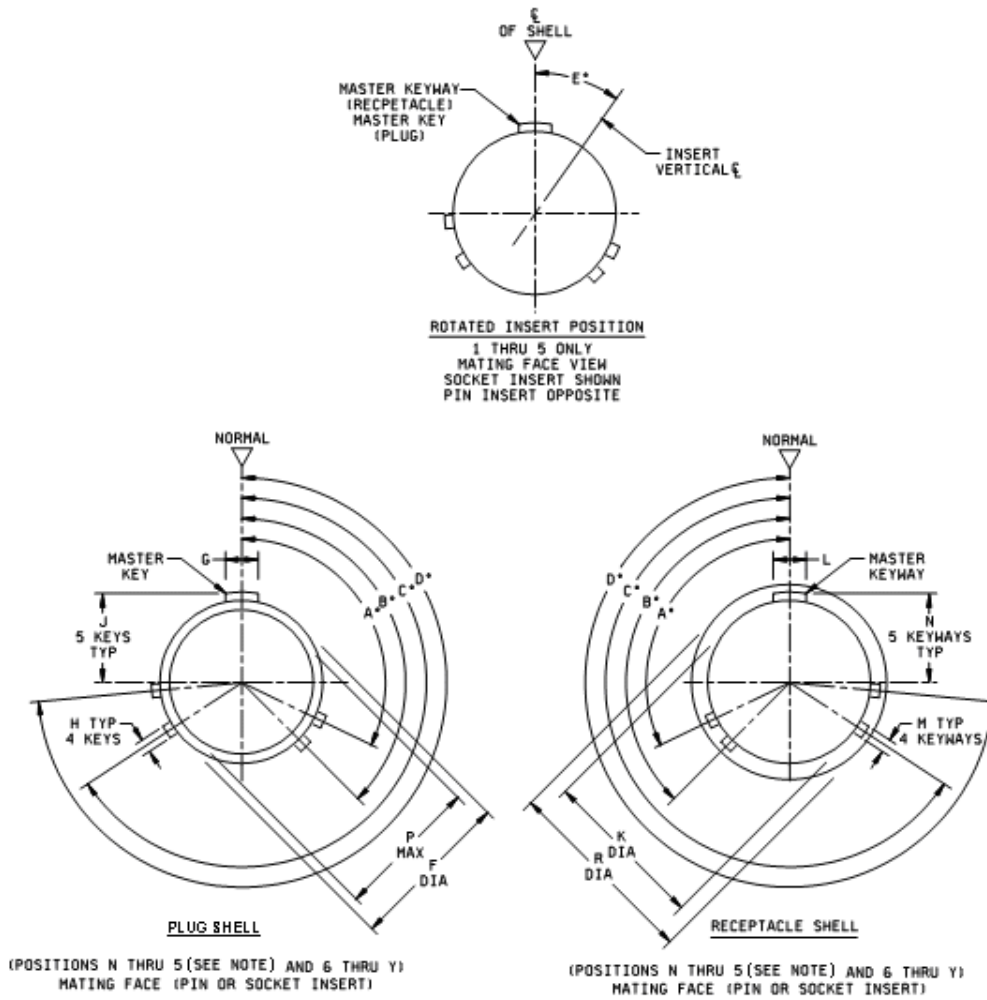
MIL-STD-1554A

5. DETAILED REQUIREMENTS

5.1 Dimensions. Dimensions shall be in accordance with the applicable section of this standard and the following dimensional data:

- a. Dimensioning and tolerancing in accordance with ASME Y14.5M. Dimensions are true position and in inches.
- b. Metric equivalents (to the nearest .02mm) are given for information only and are based upon 1 inch = 25.4mm.
- c. Dimensions and markings for insert arrangements are shown for engaging face of socket insert; pin insert is opposite.
- d. The following tolerances apply to insert installed in shell:
 1. Center each hole in insert shall be located at true position within .014 dia. $\boxed{\oplus .014 \text{ DIA}}$
 2. Center of engaging end of each contact shall be located at true position within .024 dia. $\boxed{\oplus .024 \text{ DIA}}$
- e. Unless otherwise indicated, dimensions are symmetrical about centerline (CL or \mathcal{C}).
- f. An arrow \blacktriangledown indicates the centerline of the insert arrangement.

MIL-STD-1554A



Note: Positions 1 through 5 are inactive for new design.

FIGURE 1. Polarization.

MIL-STD-1554A

Shell key/keyway positions													Insert position
Position	Size 8				Size 10				Size 12 through 24				
	A°	B°	C°	D°	A°	B°	C°	D°	A°	B°	C°	D°	E°
N-Normal	105	140	215	265	105	140	215	265	105	140	215	265	0
1 <u>1</u> /	---	---	---	---	105	140	215	265	105	140	215	265	10
Y <u>2</u> /	---	---	---	---	105	140	215	265	105	140	215	265	20
3 <u>1</u> /	---	---	---	---	105	140	215	265	105	140	215	265	30
4 <u>1</u> /	---	---	---	---	105	140	215	265	105	140	215	265	40
5 <u>1</u> /	---	---	---	---	105	140	215	265	105	140	215	265	50
6	102	132	248	320	102	132	248	320	18	149	192	259	0
7	80	118	230	312	80	118	230	312	92	152	222	342	0
8	35	140	205	275	35	140	205	275	84	152	204	334	0
9	64	155	234	304	64	155	234	304	24	135	199	240	0
Y <u>2</u> /	---	---	---	---	25	115	220	270	98	152	268	338	0

1/ Inactive for new design.

2/ Alternate position "2" and "10" are cancelled and superseded by position "Y".

FIGURE 1. Polarization – Continued.

MIL-STD-1554A

Dimensions. <u>1/</u> <u>2/</u>										
Shell size	F +.000 -.005	G ±.003	H ±.003	J +.000 -.003	K +.005 -.000	L ±.003	M +.005 -.000	N +.005 -.000	P Min	R Max
8 <u>3/</u>	.424 (10.77)	.084 (2.13)	.042 (1.07)	.234 (5.94)	.428 (10.87)	.094 (2.39)	.063 (1.60)	.237 (6.02)	.352 (8.94)	.561 (14.25)
8 <u>4/</u>	.405 (10.29)	.084 (2.13)	.052 (1.32)	.225 (5.72)	.413 (10.49)	.094 (2.39)	.072 (1.83)	.228 (5.79)	.294 (7.47)	.562 (14.27)
10	.526 (13.36)	.084 (2.13)	.052 (1.32)	.285 (7.24)	.530 (13.46)	.094 (2.39)	.072 (1.83)	.288 (7.32)	.428 (10.87)	.696 (17.68)
12	.696 (17.68)	.084 (2.13)	.052 (1.32)	.370 (9.40)	.700 (17.78)	.094 (2.39)	.072 (1.83)	.373 (9.47)	.598 (15.19)	.875 (22.23)
14	.765 (19.43)	.084 (2.13)	.052 (1.32)	.405 (10.29)	.769 (19.53)	.094 (2.39)	.072 (1.83)	.408 (10.36)	.667 (16.94)	.936 (23.77)
16	.892 (22.66)	.115 (2.92)	.052 (1.32)	.468 (11.89)	.896 (22.76)	.125 (3.18)	.072 (1.83)	.471 (11.96)	.794 (20.17)	1.062 (26.97)
18	.998 (25.35)	.115 (2.92)	.052 (1.32)	.521 (13.23)	1.002 (25.45)	.125 (3.18)	.072 (1.83)	.524 (13.31)	.900 (22.86)	1.187 (30.15)
20	1.123 (28.52)	.115 (2.92)	.052 (1.32)	.583 (14.81)	1.127 (28.63)	.125 (3.18)	.072 (1.83)	.586 (14.88)	1.025 (26.04)	1.312 (33.32)
22	1.248 (31.70)	.115 (2.92)	.052 (1.32)	.646 (16.41)	1.252 (31.80)	.125 (3.18)	.072 (1.83)	.649 (16.48)	1.150 (29.21)	1.437 (36.50)
24	1.373 (34.87)	.115 (2.92)	.052 (1.32)	.708 (17.98)	1.377 (34.98)	.125 (3.18)	.072 (1.83)	.711 (18.06)	1.275 (32.39)	1.562 (39.67)

1/ Dimensions are in inches.

2/ Metric equivalents are given for information only.

3/ Shell size 8 (For MIL-DTL-83723, bayonet coupling, and MIL-DTL-26500, threaded coupling).

4/ Shell size 8 (MIL-DTL-83723, series III, threaded only).

FIGURE 1. Polarization – Continued.

MIL-STD-1554A

5.2 Polarization (see figure 1).

- a. Each insert arrangement is shown in the "normal position" in the shell.
- b. In the normal position (N) the indexing radius coincides with the CL of the master key or keyway of the shell.
- c. For alternate polarization positions 1, 2, 3, 4, and 5, the socket insert is rotated clockwise relative to the centerline of the master key or keyway of the shell.
- d. For alternate polarization positions 1, 2, 3, 4, and 5, the pin insert is rotated counter-clockwise relative to the centerline of the master key or keyway of the shell.
- e. For alternate polarization positions 6, 7, 8, 9, and Y, the insert is in normal and the minor keys or keyways are relocated as indicated on figure 1 with reference to the master key or keyway.
- f. Four keys or keyways (maximum material condition (MMC)) and insert shall be located within .004 either side of true position (TP) relative to master key or keyway (MMC) and shell outside diameter (OD) or inside diameter (ID) (MMC).
- g. Alternate insert positions 1, 2, 3, 4, and 5 are for intermateability use only. NOT RECOMMENDED FOR NEW DESIGN.

5.3 Contacts. Solder contacts shall be in accordance with MIL-DTL-83723 or MIL-DTL-26500. Crimp contacts shall be specified table I or table II.

TABLE I. Contact identification, MIL-DTL-83723. 1/

Pins		Sockets	
Contact or cavity size	PIN	Contact or cavity size	PIN
<u>Power</u>		<u>Power</u>	
20-20	M39029/4-110	20-20	M39029/5-115
16-16	M39029/4-111	16-16	M39029/5-116
16-20	M39029/4-112	16-20	M39029/5-117
12-12	M39029/4-113	12-12	M39029/5-118
12-16	M39029/4-114	12-16	M39029/5-119
(SAE AS39029/4)		(SAE AS39029/5)	
<u>Thermocouple</u>		<u>Thermocouple</u>	
20-20	M39029/9-132	20-20	M39029/10-138
	M39029/9-133		M39029/10-139
	M39029/9-134		M39029/10-140
	M39029/9-135		M39029/10-141
	M39029/9-136		M39029/10-142
16-16	M39029/9-514	16-16	M39029/10-519
	M39029/9-515		M39029/10-520
	M39029/9-516		M39029/10-521
	M39029/9-517		M39029/10-522
	M39029/9-518		M39029/10-523
(SAE AS39029/9)		(SAE AS39029/10)	

See footnote at end of table.

MIL-STD-1554A

TABLE I. Contact identification, MIL-DTL-83723 –Continued. 1/

Pins		Sockets	
Contact or cavity size	PIN	Contact or cavity size	PIN
<u>Shielded</u> 12 (SAE AS39029/74)	M39029/74-399 M39029/74-400 M39029/74-401	<u>Shielded</u> 12 (SAE AS39029/73)	M39029/73-396 M39029/73-397 M39029/73-398

1/ Part of Identifying Number (PIN).

MIL-STD-1554A

TABLE II. Contact identification, MIL-DTL-26500.

Pins		Sockets	
Contact or cavity size	PIN	Contact or cavity size	PIN
<u>Power</u>		<u>Power</u>	
20-20	M39029/31-240	20-20	M39029/32-259
20-20	M39029/31-241	20-20	M39029/32-260
20-20	M39029/31-448	20-20	M39029/32-449
		20-20	M39029/32-242
16-16	M39029/31-228	16-16	M39029/32-247
16-16	M39029/31-229	16-16	M39029/32-248
12-12	M39029/31-234	12-12	M39029/32-253
12-12	M39029/31-235	12-12	M39029/32-254
	(SAE AS39029/31)		(SAE AS39029/32)
<u>Thermocouple</u>		<u>Thermocouple</u>	
20-20	M39029/31-224	20-20	M39029/32-243
20-20	M39029/31-225	20-20	M39029/32-244
20-20	M39029/31-226	20-20	M39029/32-245
20-20	M39029/31-227	20-20	M39029/32-246
16-16	M39029/31-230	16-16	M39029/32-249
16-16	M39029/31-231	16-16	M39029/32-250
16-16	M39029/31-232	16-16	M39029/32-251
16-16	M39029/31-233	16-16	M39029/32-252
12-12	M39029/31-236	12-12	M39029/32-255
12-12	M39029/31-237	12-12	M39029/32-256
12-12	M39029/31-238	12-12	M39029/32-257
12-12	M39029/31-239	12-12	M39029/32-258
	(SAE AS39029/31)		(SAE AS39029/32)
<u>Shielded</u>		<u>Shielded</u>	
12	M39029/54-342	12	M39029/55-344
8	M39029/74-343	8	M39029/55-345
	(SAE AS39029/54)		(SAE AS39029/55)

5.4 Marking. Marking shall be in accordance with MIL-DTL-83723 series III, MIL-DTL-26500, and as shown in the applicable section of this standard.

MIL-STD-1554A

5.5 Drawing notes. The following information is applicable to all figures depicted in this standard.

- a. Dimensions are in inches.
- b. Metric equivalents are given for general information only.

6. NOTES

(This section contains information of a general or explanatory nature that may be helpful, but is not mandatory.)

6.1 Intended use. This standard covers insert arrangements for use with MIL-DTL-83723 series III, and MIL-DTL-26500 circular connectors. Information pertaining to shell size, arrangement number, number of contacts, size of contacts, service rating, contact location, and superseding information is contained in this document.

6.2 Cross-reference. See table III for cross-reference of previous sections and current figures. See table IV for reference links to insert arrangement numbers.

TABLE III. Cross reference of figures to sections.

Title	Current figure	Previous section	Document	Series
Insert Arrangement, Electrical Connector, Shell Size 8	2	10	MIL-DTL-83723 MIL-DTL-26500	III
Insert Arrangement, Electrical Connector, Shell Size 10	3	20	MIL-DTL-83723 MIL-DTL-26500	III
Insert Arrangement, Electrical Connector, Shell Size 12	4	30	MIL-DTL-83723 MIL-DTL-26500	III
Insert Arrangement, Electrical Connector, Shell Size 14	5	40	MIL-DTL-83723 MIL-DTL-26500	III
Insert Arrangement, Electrical Connector, Shell Size 16	6	50	MIL-DTL-83723 MIL-DTL-26500	III
Insert Arrangement, Electrical Connector, Shell Size 18	7	60	MIL-DTL-83723 MIL-DTL-26500	III
Insert Arrangement, Electrical Connector, Shell Size 20	8	70	MIL-DTL-83723 MIL-DTL-26500	III
Insert Arrangement, Electrical Connector, Shell Size 22	9	80	MIL-DTL-83723 MIL-DTL-26500	III
Insert Arrangement, Electrical Connector, Shell Size 24	10	90	MIL-DTL-83723 MIL-DTL-26500	III

MIL-STD-1554A

TABLE IV. Cross reference to insert arrangements

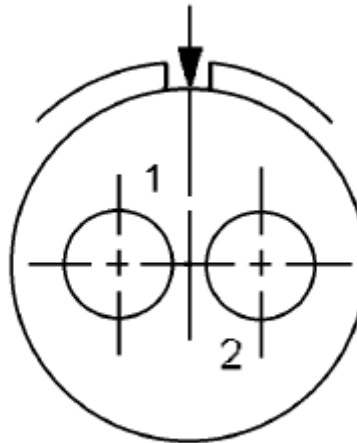
Figure	Insert arrangement	Page	Figure	Insert arrangement	Page
2	8-2	12	7	18-11	29
2	8-3	13	7	18-14	30
2	8-98	14	7	18-31	31
3	10-2	15	8	20-16	32
3	10-5	16	8	20-25	33
3	10-6	17	8	20-28	34
3	10-20	18	8	20-39	36
4	12-3	19	8	20-41	38
4	12-12	20	9	22-12/13/14	39
5	14-3	21	9	22-19	40
5	14-4/5	22	9	22-32	42
5	14-7	23	9	22-39	44
5	14-12	24	9	22-55	46
5	14-15	25	10	24-43	48
6	16-10	26	10	24-57	50
6	16-24	27	10	24-61	52
7	18-8/9	28	10	24-19	53

6.3 Subject term (key word) listing.

Contacts
 Plug
 Shell size
 Socket

6.4 Changes from previous issue. Marginal notations are not used in this revision to identify changes with respect to the previous issue due to the extent of the changes.

MIL-STD-1554A

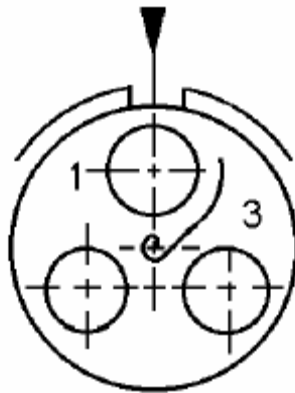


Contacts (Insert arrangement 8-2)		
Contact position ID	Contact location	
	X-axis (mm)	Y-axis (mm)
1	-.065 (1.65)	+.000 (.00)
2	+.065 (1.65)	+.000 (.00)

Shell size	Arrangement no.	Number of contacts	Size contacts	Service rating	Contact location	Supersedes
8	2	2	20	I	All	MS27561-2

FIGURE 2. Insert arrangement, electrical connector, shell size 8 (MIL-DTL-26500 and MIL-DTL-83723 Series III).

MIL-STD-1554A

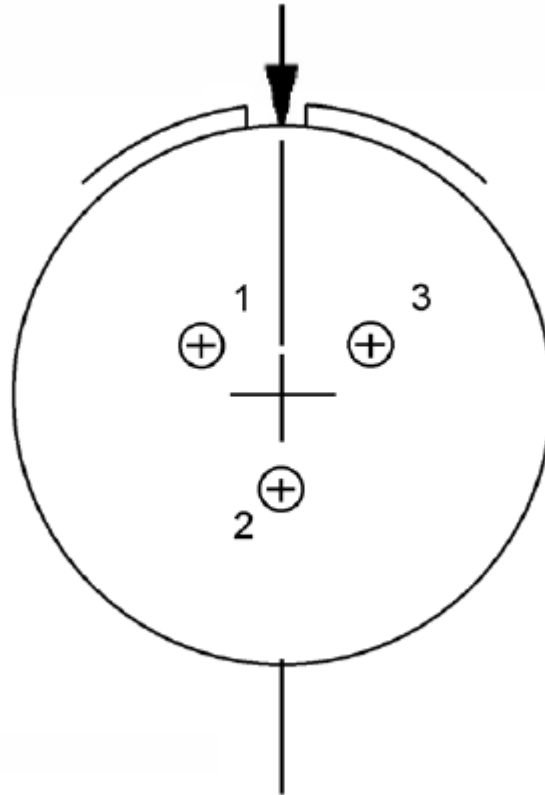


Contacts (Insert arrangement 8-3)		
Contact position ID	Contact location	
	X-axis (mm)	Y-axis (mm)
1	+0.000 (.00)	+0.075 (1.91)
2	-0.065 (1.65)	-0.038 (.97)
3	+0.065 (1.65)	-0.038 (.97)

Shell size	Arrangement no.	Number of contacts	Size contacts	Service rating	Contact location	Supersedes
8	3	3	20	I	All	MS27561-3

FIGURE 2. Insert arrangement, electrical connector, shell size 8 (MIL-DTL-26500 and MIL-DTL-83723 Series III) – Continued.

MIL-STD-1554A

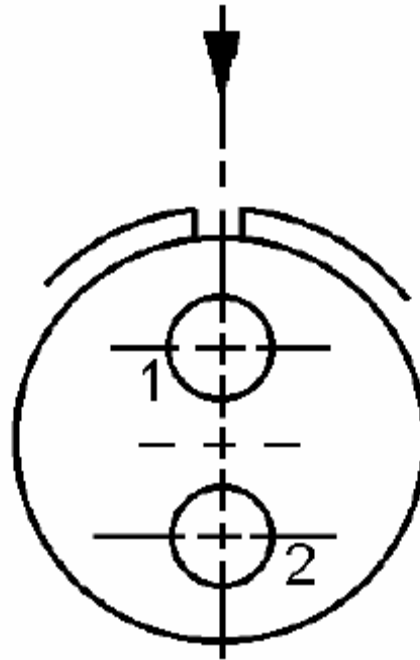


Contacts (Insert arrangement 8-98)		
Contact position ID	Contact location	
	X-axis (mm)	Y-axis (mm)
1	-.065 (1.65)	+.037 (.94)
2	+.000 (.00)	-.075 (1.91)
3	+.065 (1.65)	+.037 (.94)

Shell size	Arrangement no.	Number of contacts	Size contacts	Service rating	Contact location	Supersedes
8	98	3	20	I	All	-----

FIGURE 2. Insert arrangement, electrical connector, shell size 8 (MIL-DTL-26500 and MIL-DTL-83723 Series III) – Continued.

MIL-STD-1554A

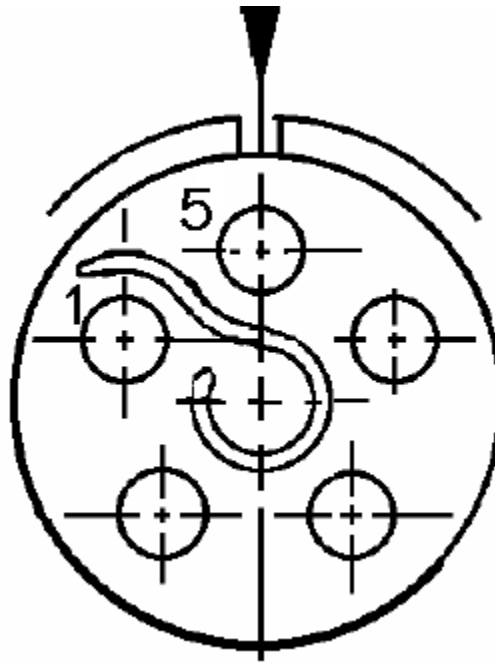


Contacts (Insert arrangement 10-2)		
Contact position ID	Contact location	
	X-axis (mm)	Y-axis (mm)
1	+0.000	+0.083 (2.11)
2	+0.000	-0.083 (2.11)

Shell size	Arrangement No.	Number of contacts	Size contacts	Service rating	Contact location	Supersedes
10	2	2	20	I	All	MS24260-2

FIGURE 3. Insert arrangement, electrical connector, shell size 10 (MIL-DTL-26500 and MIL-DTL-83723 Series III).

MIL-STD-1554A

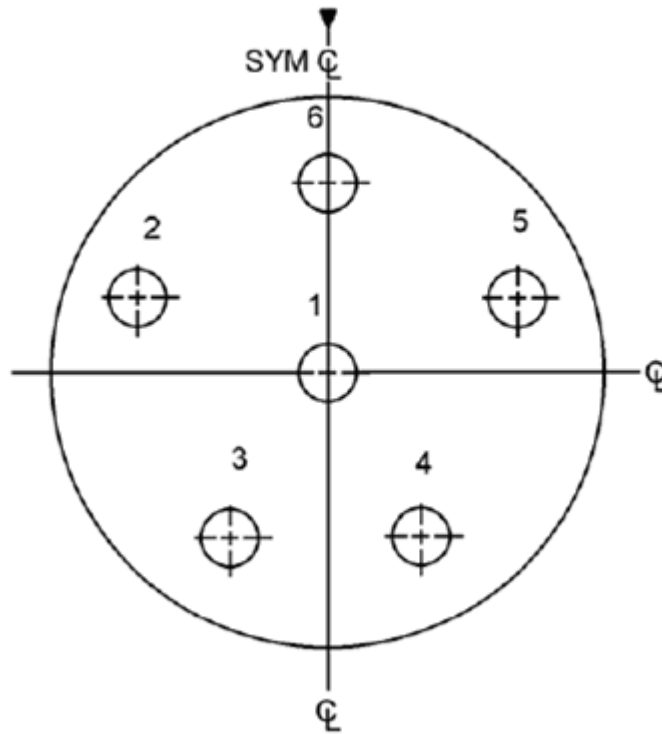


Contacts (Insert arrangement 10-5)		
Contact position ID	Contact location	
	X-axis (mm)	Y-axis (mm)
1	-.107 (2.72)	+.041 (1.04)
2	-.074 (1.88)	-.085 (2.16)
3	+.074 (1.88)	-.085 (2.16)
4	+.107 (2.72)	+.041 (1.04)
5	+.000 (.00)	+.114 (2.90)

Shell size	Arrangement no.	Number of contacts	Size contacts	Service rating	Contact location	Supersedes
10	5	5	20	I	All	MS24260-5

FIGURE 3. Insert arrangement, electrical connector, shell size 10 (MIL-DTL-26500 and MIL-DTL-83723 Series III) – Continued.

MIL-STD-1554A



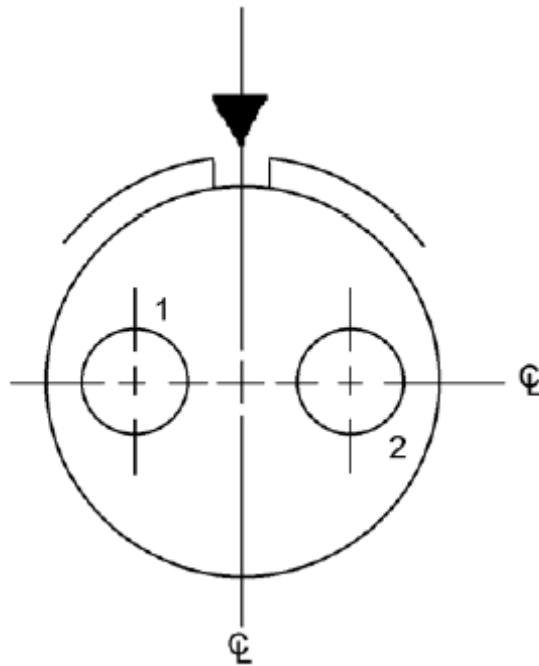
Contacts (Insert arrangement 10-6)		
Contact position ID	Contact location	
	X-axis (mm)	Y-axis (mm)
1	+0.000 (.00)	+0.000 (.00)
2	-.120 (3.05)	+0.050 (1.27)
3	-.065 (1.65)	-.113 (2.87)
4	+0.065 (1.65)	-.113 (2.87)
5	+0.120 (3.05)	+0.050 (1.27)
6	+0.000 (.00)	+0.130 (3.30)

Shell size	Arrangement no.	Number of contacts	Size contacts	Service rating	Contact location	Supersedes
10	6	6	20	I	All	MS27748-6

Applicable to MIL-DTL-83723 Series III only.

FIGURE 3. Insert arrangement, electrical connector, shell size 10 (MIL-DTL-26500 and MIL-DTL-83723 Series III) – Continued.

MIL-STD-1554A

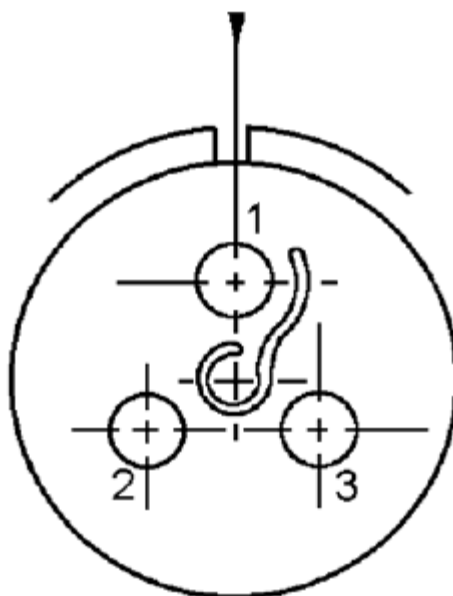


Contacts (Insert arrangement 10-20)		
Contact position ID	Contact location	
	X-axis (mm)	Y-axis (mm)
1	+0.000	-.092 (2.34)
2	+0.000	+.092 (2.34)

Shell size	Arrangement no.	Number of contacts	Size contacts	Service rating	Contact location	Supersedes
10	20	2	16	I	All	MS24260-20

FIGURE 3. Insert arrangement, electrical connector, shell size 10 (MIL-DTL-26500 and MIL-DTL-83723 Series III) – Continued.

MIL-STD-1554A

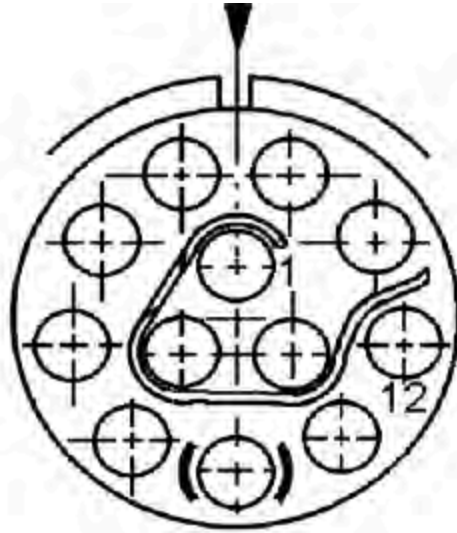


Contacts (Insert arrangement 12-3)		
Contact position ID	Contact location	
	X-axis (mm)	Y-axis (mm)
1	+0.000 (.00)	+0.120 (3.05)
2	-.104 (2.64)	-.060 (1.52)
3	+0.104 (2.64)	-.060 (1.52)

Shell size	Arrangement no.	Number of contacts	Size contacts	Service rating	Contact location	Supersedes
12	3	3	16	I	All	MS24260-3

FIGURE 4. Insert arrangement, electrical connector, shell size 12 (MIL-DTL-26500 and MIL-DTL-83723 Series III).

MIL-STD-1554A

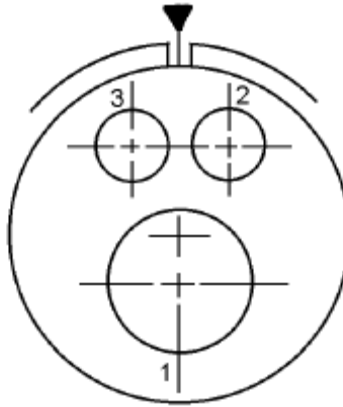


Contacts (Insert arrangement 12-12)					
Contact position ID	Location		Contact position ID	Location	
	X-axis (mm)	Y-axis (mm)		X-axis (mm)	Y-axis (mm)
1	+0.00 (.00)	+0.074 (1.88)	7	-.167 (4.24)	+0.105 (2.67)
2	-.065 (1.65)	-.039 (.99)	8	-.195 (4.95)	-.033 (.84)
3	+0.065 (1.65)	-.039 (.99)	9	-.124 (3.15)	-.154 (3.91)
4	+0.167 (4.24)	+0.105 (2.67)	10	+0.000 (.00)	-.197 (5.00)
5	+0.065 (1.65)	+0.187 (4.75)	11	+0.124 (3.15)	-.154 (3.91)
6	-.065 (1.65)	+0.187 (4.75)	12	+0.195 (4.95)	-.033 (.84)

Shell size	Arrangement no.	Number of contacts	Size contacts	Service rating	Contact location	Supersedes
12	12	12	20	I	All	MS24260-12

FIGURE 4. Insert arrangement, electrical connector, shell size 12 (MIL-DTL-26500 and MIL-DTL-83723 Series III) – Continued.

MIL-STD-1554A



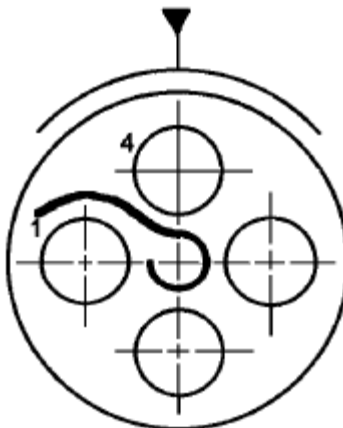
Contacts (Insert arrangement 14-3)		
Contact position ID	Contact location	
	X-axis (mm)	Y-axis (mm)
1	+0.000 (.00)	-.090 (2.29)
2	+0.095 (2.41)	+0.164 (4.17)
3	-.095 (2.41)	+0.164 (4.17)

Shell size	Arrangement no.	Number of contacts	Size contacts	Service rating	Contact location	Supersedes
14	3	1	Shielded per MS27184-20P MS27185-20S	I	1	MS24260-3
		2	16		2, 3	

Applicable to MIL-DTL-26500 only.

FIGURE 5. Insert arrangement, electrical connector, shell size 14 (MIL-DTL-26500 and MIL-DTL-83723 Series III).

MIL-STD-1554A



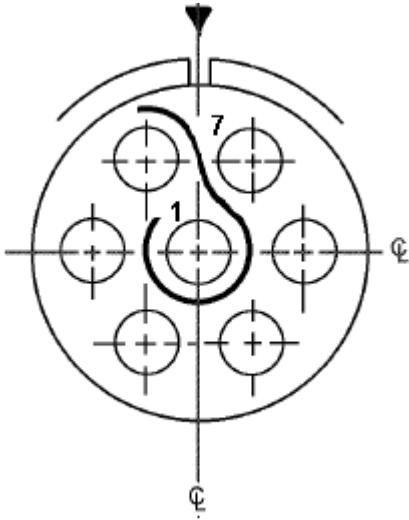
Contacts (Insert arrangement 14-4/5)		
Contact position ID	Contact location	
	X-axis (mm)	Y-axis (mm)
1	-.169 (4.29)	+.000 (.00)
2	+.000 (.00)	-.169 (4.29)
3	+.169 (4.29)	+.000 (.00)
4	+.000 (.00)	+.169 (4.29)

Shell size	Arrangement no.	Number of contacts	Size contacts	Service rating	Contact location	Supersedes
14	4	4	12	I	All	MS24260-4
	5 *	4	Shielded per MS27184-22P MS27185-22S	I	All	MS24260-5

* Applicable to MIL-DTL-26500 only.

FIGURE 5. Insert arrangement, electrical connector, shell size 14 (MIL-DTL-26500 and MIL-DTL-83723 Series III) - Continued.

MIL-STD-1554A

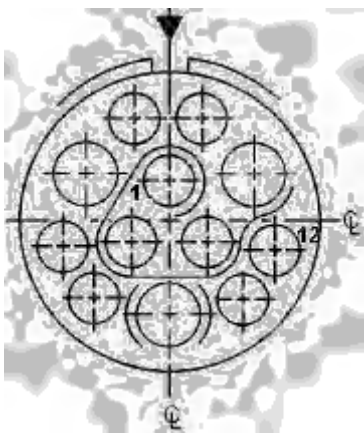


Contacts (Insert arrangement 14-7)		
Contact position ID	Contact location	
	X-axis (mm)	Y-axis (mm)
1	+0.000 (.00)	+0.000 (.00)
2	-.095 (2.41)	+.164 (4.17)
3	-.190 (4.83)	+0.000 (.00)
4	-.095 (2.41)	-.164 (4.17)
5	+.095 (2.41)	-.164 (4.17)
6	+.190 (4.83)	+0.000 (.00)
7	+.095 (2.41)	+.164 (4.17)

Shell size	Arrangement no.	Number of contacts	Size contacts	Service rating	Contact location	Supersedes
14	7	7	16	I	All	MS24260-7

FIGURE 5. Insert arrangement, electrical connector, shell size 14 (MIL-DTL-26500 and MIL-DTL-83723 Series III) - Continued.

MIL-STD-1554A

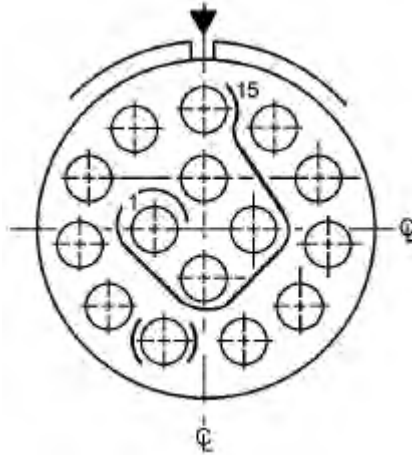


Contacts (Insert arrangement 14-12)					
Contact position ID	Location		Contact position ID	Location	
	X-axis (mm)	Y-axis (mm)		X-axis (mm)	Y-axis (mm)
1	+0.00 (.00)	+0.090 (2.29)	7	-.175 (4.45)	+0.101 (2.57)
2	-.078 (1.98)	-.045 (1.14)	8	-.224 (5.69)	-.054 (1.37)
3	+0.078 (1.98)	-.045 (1.14)	9	-.159 (4.04)	-.167 (4.24)
4	+0.175 (4.45)	+0.101 (2.57)	10	+0.000 (.00)	-.202 (5.13)
5	+0.065 (1.65)	+0.221 (5.61)	11	+0.159 (4.04)	-.167 (4.24)
6	-.065 (1.65)	+0.221 (5.61)	12	+0.224 (5.69)	-.054 (1.37)

Shell size	Arrangement no.	Number of contacts	Size contacts	Service rating	Contact location	Supersedes
14	12	9	20	I	All others	MS24260-12
		3	16		4, 7, 10	

FIGURE 5. Insert arrangement, electrical connector, shell size 14 (MIL-DTL-26500 and MIL-DTL-83723 Series III) - Continued.

MIL-STD-1554A

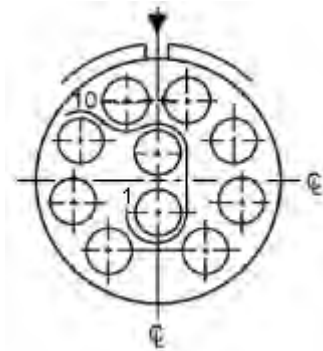


Contacts (Insert arrangement 14-15)					
Contact position ID	Location		Contact position ID	Location	
	X-axis (mm)	Y-axis (mm)		X-axis (mm)	Y-axis (mm)
1	-.092 (2.34)	+.000 (.00)	9	-.174 (4.42)	-.151 (3.84)
2	+.000 (.00)	-.096 (2.44)	10	-.065 (1.65)	-.221 (5.61)
3	+.092 (2.34)	+.000 (.00)	11	+.065 (1.65)	-.221 (5.61)
4	+.000 (.00)	+.096 (2.44)	12	+.174 (4.42)	-.151 (3.84)
5	+.000 (.00)	+.231 (5.87)	13	+.228 (5.79)	-.033 (.84)
6	-.125 (3.18)	+.194 (4.93)	14	+.210 (5.33)	+.096 (2.44)
7	-.210 (5.33)	+.096 (2.44)	15	+.125 (3.18)	+.194 (4.93)
8	-.228 (5.79)	-.033 (.84)			

Shell size	Arrangement no.	Number of contacts	Size contacts	Service rating	Contact location	Supersedes
14	15	15	20	I	All	MS24260-15

FIGURE 5. Insert arrangement, electrical connector, shell size 14 (MIL-DTL-26500 and MIL-DTL-83723 Series III) - Continued.

MIL-STD-1554A

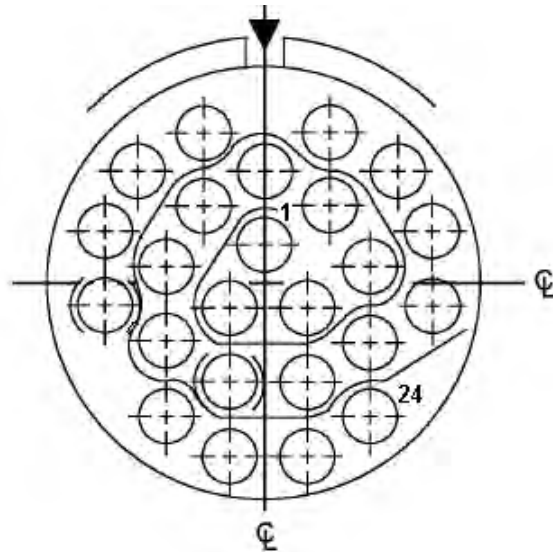


Contacts (Insert arrangement 16-10)		
Contact position ID	Contact location	
	X-axis (mm)	Y-axis (mm)
1	+0.00 (.00)	-.105 (2.67)
2	+0.00 (.00)	+0.085 (2.16)
3	-.237 (6.02)	+0.124 (3.15)
4	-.259 (6.58)	-.065 (1.65)
5	-.150 (3.81)	-.222 (5.64)
6	+0.150 (3.81)	-.222 (5.64)
7	+0.259 (6.58)	-.065 (1.65)
8	+0.237 (6.02)	+0.124 (3.15)
9	+0.095 (2.41)	+0.251 (6.38)
10	-.095 (2.41)	+0.251 (6.38)

Shell size	Arrangement no.	Number of contacts	Size contacts	Service rating	Contact location	Supersedes
16	10	10	16	I	All	MS24261-10

FIGURE 6. Insert arrangement, electrical connector, shell size 16 (MIL-DTL-26500 and MIL-DTL-83723 Series III).

MIL-STD-1554A

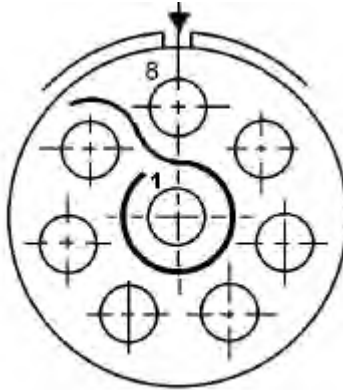


Contacts (Insert arrangement 16-24)					
Contact position ID	Location		Contact position ID	Location	
	X-axis (mm)	Y-axis (mm)		X-axis (mm)	Y-axis (mm)
1	+0.000 (.00)	+0.075 (1.91)	13	+0.289 (7.34)	-0.037 (.94)
2	-0.065 (1.65)	-0.037 (.94)	14	+0.289 (7.34)	+0.093 (2.36)
3	+0.065 (1.65)	-0.037 (.94)	15	+0.224 (5.69)	+0.204 (5.18)
4	+0.177 (4.50)	+0.028 (.71)	16	+0.112 (2.84)	+0.269 (6.83)
5	+0.112 (2.84)	+0.140 (3.56)	17	-0.112 (2.84)	+0.269 (6.83)
6	+0.000 (.00)	+0.204 (5.18)	18	-0.224 (5.69)	+0.204 (5.18)
7	-0.112 (2.84)	+0.140 (3.56)	19	-0.289 (7.34)	+0.093 (2.36)
8	-0.177 (4.50)	+0.028 (.71)	20	-0.289 (7.34)	-0.037 (.94)
9	-0.177 (4.50)	-0.102 (2.59)	21	-0.177 (4.50)	-0.232 (5.89)
10	-0.065 (1.65)	-0.167 (4.24)	22	-0.065 (1.65)	-0.297 (7.54)
11	+0.065 (1.65)	-0.167 (4.24)	23	+0.065 (1.65)	-0.297 (7.54)
12	+0.177 (4.50)	-0.102 (2.59)	24	+0.177 (4.50)	-0.232 (5.89)

Shell size	Arrangement no.	Number of contacts	Size contacts	Service rating	Contact location	Supersedes
16	24	24	20	I	All	MS24261-24

FIGURE 6. Insert arrangement, electrical connector, shell size 16 (MIL-DTL-26500 and MIL-DTL-83723 Series III) - Continued.

MIL-STD-1554A



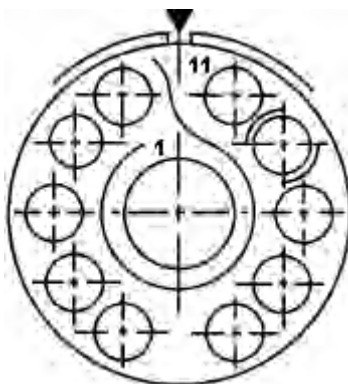
Contacts (Insert arrangement 18-8/9)		
Contact position ID	Contact location	
	X-axis (mm)	Y-axis (mm)
1	+0.000 (.00)	+0.000 (.00)
2	-.219 (5.56)	+0.175 (4.45)
3	-.273 (6.93)	-.062 (1.57)
4	-.121 (3.07)	-.252 (6.40)
5	+0.121 (3.07)	-.252 (6.40)
6	+0.273 (6.93)	-.062 (1.57)
7	+0.219 (5.56)	+0.175 (4.45)
8	+0.000 (.00)	+0.280 (7.11)

Shell size	Arrangement no.	Number of contacts	Size contacts	Service rating	Contact location	Supersedes
18	8	8	12	I	All	MS24262-8
	9 *	6	Shielded per MS27184-22P MS27185-22S	I	2, 3, 4, 5, 7 and 8	MS24262-9
		2	12	I	1 and 6	

* Applicable to MIL-DTL-26500 only.

FIGURE 7. Insert arrangement, electrical connector, shell size 18 (MIL-DTL-26500 and MIL-DTL-83723 Series III).

MIL-STD-1554A



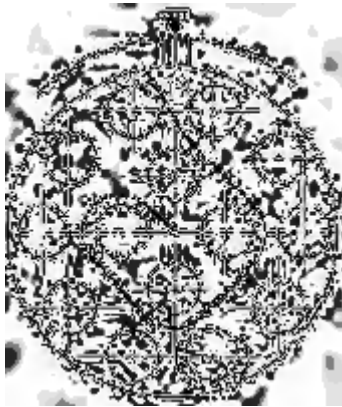
Contacts (Insert arrangement 18-11)					
Contact position ID	Location		Contact position ID	Location	
	X-axis (mm)	Y-axis (mm)		X-axis (mm)	Y-axis (mm)
1	+0.00 (.00)	+0.00 (.00)	7	+1.13 (2.87)	-.300 (7.62)
2	-.113 (2.87)	+.300 (7.62)	8	+.264 (6.71)	-.182 (4.62)
3	-.264 (6.71)	+.182 (4.62)	9	+.321 (8.15)	+0.00 (.00)
4	-.321 (8.15)	+0.00 (.00)	10	+.264 (6.71)	+.182 (4.62)
5	-.264 (6.71)	-.182 (4.62)	11	+1.13 (2.87)	+.300 (7.62)
6	-.113 (2.87)	-.300 (7.62)			

Shell size	Arrangement no.	Number of contacts	Size contacts	Service rating	Contact location	Supersedes
18	11	1	Shielded per MS27184-20P MS27185-20S	I	1	MS24262-11
		10	16		All others	

Applicable to MIL-DTL-26500 only.

FIGURE 7. Insert arrangement, electrical connector, shell size 18 (MIL-DTL-26500 and MIL-DTL-83723 Series III) - Continued.

MIL-STD-1554A

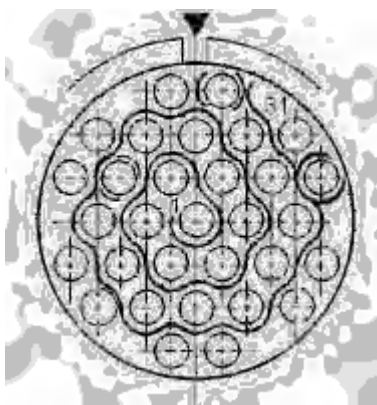


Contacts (Insert arrangement 18-14)					
Contact position ID	Location		Contact position ID	Location	
	X-axis (mm)	Y-axis (mm)		X-axis (mm)	Y-axis (mm)
1	-.130 (3.30)	+.000 (.00)	8	-.264 (6.71)	-.182 (4.62)
2	+.000 (.00)	-.141 (3.58)	9	-.113 (2.87)	-.300 (7.62)
3	+.130 (3.30)	+.000 (.00)	10	+.113 (2.87)	-.300 (7.62)
4	+.000 (.00)	+.141 (3.58)	11	+.264 (6.71)	-.182 (4.62)
5	-.113 (2.87)	+.300 (7.62)	12	+.321 (8.15)	+.000 (.00)
6	-.264 (6.71)	+.182 (4.62)	13	+.264 (6.71)	+.182 (4.62)
7	-.321 (8.15)	+.000 (.00)	14	+.113 (2.87)	+.300 (7.62)

Shell size	Arrangement no.	Number of contacts	Size contacts	Service rating	Contact location	Supersedes
18	14	14	16	I	All	MS24262-14

FIGURE 7. Insert arrangement, electrical connector, shell size 18 (MIL-DTL-26500 and MIL-DTL-83723 Series III) - Continued.

MIL-STD-1554A

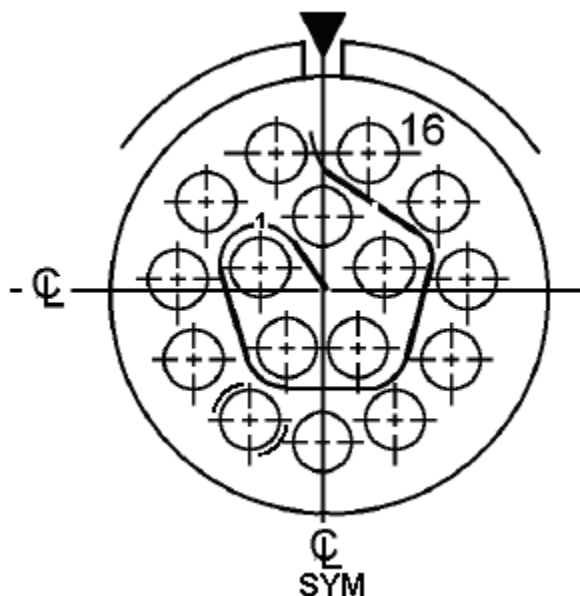


Contacts (Insert arrangement 18-31)					
Contact position ID	Location		Contact position ID	Location	
	X-axis (mm)	Y-axis (mm)		X-axis (mm)	Y-axis (mm)
1	+0.000 (.00)	+0.000 (.00)	17	+0.260 (6.60)	+0.000 (.00)
2	-.065 (1.65)	+0.113 (2.87)	18	+0.195 (4.95)	+0.113 (2.87)
3	-.130 (3.30)	+0.000 (.00)	19	+0.130 (3.30)	+0.226 (5.74)
4	-.065 (1.65)	-.113 (2.87)	20	+0.065 (1.65)	+0.339 (8.61)
5	+0.065 (1.65)	-.113 (2.87)	21	-.065 (1.65)	+0.339 (8.61)
6	+0.130 (3.30)	+0.000 (.00)	22	-.260 (6.60)	+0.226 (5.74)
7	+0.065 (1.65)	+0.113 (2.87)	23	-.325 (8.26)	+0.113 (2.87)
8	+0.000 (.00)	+0.226 (5.74)	24	-.325 (8.26)	-.113 (2.87)
9	-.130 (3.30)	+0.226 (5.74)	25	-.260 (6.60)	-.226 (5.74)
10	-.195 (4.95)	+0.113 (2.87)	26	-.065 (1.65)	-.339 (8.61)
11	-.260 (6.60)	+0.000 (.00)	27	+0.065 (1.65)	-.339 (8.61)
12	-.195 (4.95)	-.113 (2.87)	28	+0.260 (6.60)	-.226 (5.74)
13	-.130 (3.30)	-.226 (5.74)	29	+0.325 (8.26)	-.113 (2.87)
14	+0.000 (.00)	-.226 (5.74)	30	+0.325 (8.26)	+0.113 (2.87)
15	+0.130 (3.30)	-.226 (5.74)	31	+0.260 (6.60)	+0.226 (5.74)
16	+0.195 (4.95)	-.113 (2.87)			

Shell size	Arrangement no.	Number of contacts	Size contacts	Service rating	Contact location	Supersedes
18	31	31	20	I	All	MS24262-31

FIGURE 7. Insert arrangement, electrical connector, shell size 18 (MIL-DTL-26500 and MIL-DTL-83723 Series III) - Continued.

MIL-STD-1554A

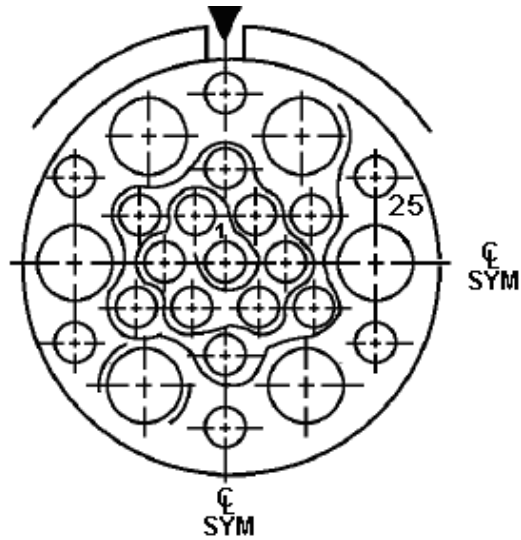


Contacts (Insert arrangement 20-16)					
Contact position ID	Location		Contact position ID	Location	
	X-axis (mm)	Y-axis (mm)		X-axis (mm)	Y-axis (mm)
1	-.154 (3.91)	+.062 (1.57)	9	-.308 (7.82)	-.150 (3.81)
2	-.094 (2.39)	-.122 (3.10)	10	-.182 (4.62)	-.290 (7.37)
3	+.094 (2.39)	-.122 (3.10)	11	+.000 (.00)	-.343 (8.71)
4	+.154 (3.91)	+.062 (1.57)	12	+.182 (4.62)	-.290 (7.37)
5	+.000 (.00)	+.175 (4.45)	13	+.308 (7.82)	-.150 (3.81)
6	-.118 (3.00)	+.322 (8.18)	14	+.341 (8.66)	+.036 (.91)
7	-.271 (6.88)	+.211 (5.36)	15	+.271 (6.88)	+.211 (5.36)
8	-.341 (8.66)	+.036 (.91)	16	+.118 (3.00)	+.322 (8.18)

Shell size	Arrangement no.	Number of contacts	Size contacts	Service rating	Contact location	Supersedes
20	16	16	16	I	All	MS27561-16

FIGURE 8. Insert arrangement, electrical connector, shell size 20 (MIL-DTL-26500 and MIL-DTL-83723 Series III).

MIL-STD-1554A

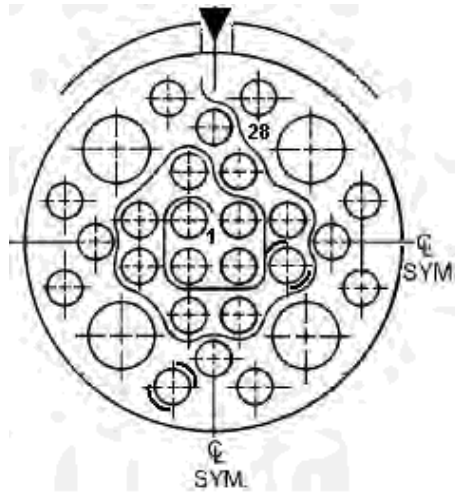


Contacts (Insert arrangement 20-25)					
Contact position ID	Location		Contact position ID	Location	
	X-axis (mm)	Y-axis (mm)		X-axis (mm)	Y-axis (mm)
1	+0.00 (.00)	+0.00 (.00)	14	+1.75 (4.45)	+3.03 (7.70)
2	-.066 (1.68)	+1.14 (2.90)	15	+0.00 (.00)	+4.04 (10.26)
3	-.132 (3.35)	+0.00 (.00)	16	-.175 (4.45)	+3.03 (7.70)
4	-.066 (1.68)	-.114 (2.90)	17	-.350 (8.89)	+2.02 (5.13)
5	+0.066 (1.68)	-.114 (2.90)	18	-.350 (8.89)	+0.00 (.00)
6	+1.132 (3.35)	+0.00 (.00)	19	-.350 (8.89)	-.202 (5.13)
7	+0.066 (1.68)	+1.14 (2.90)	20	-.175 (4.45)	-.303 (7.70)
8	+0.00 (.00)	+2.28 (5.79)	21	+0.00 (.00)	-.404 (10.26)
9	-.198 (5.03)	+1.14 (2.90)	22	+1.75 (4.45)	-.303 (7.70)
10	-.198 (5.03)	-.114 (2.90)	23	+3.05 (7.75)	-.202 (5.13)
11	+0.00 (.00)	-.228 (5.79)	24	+3.50 (8.89)	+0.00 (.00)
12	+1.198 (5.03)	-.114 (2.90)	25	+3.50 (8.89)	+2.02 (5.13)
13	+1.198 (5.03)	+1.14 (2.90)			

Shell size	Arrangement no.	Number of contacts	Size contacts	Service rating	Contact location	Supersedes
20	25	19	20	I	All	MS27561-25
		6	12			

FIGURE 8. Insert arrangement, electrical connector, shell size 20 (MIL-DTL-26500 and MIL-DTL-83723 Series III) - Continued.

MIL-STD-1554A

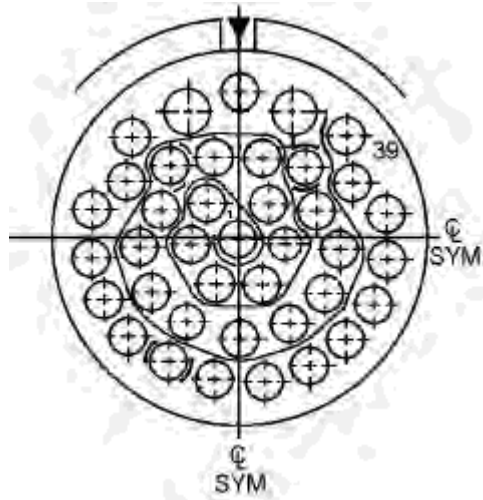


Contacts (Insert arrangement 20-28)					
Contact position ID	Location		Contact position ID	Location	
	X-axis (mm)	Y-axis (mm)		X-axis (mm)	Y-axis (mm)
1	-.065 (1.65)	+.065 (1.65)	15	-.248 (6.30)	+.248 (6.30)
2	-.065 (1.65)	-.065 (1.65)	16	-.390 (9.91)	+.116 (2.95)
3	+.065 (1.65)	-.065 (1.65)	17	-.316 (8.03)	+.000 (.00)
4	+.065 (1.65)	+.065 (1.65)	18	-.390 (9.91)	-.116 (2.95)
5	-.065 (1.65)	+.195 (4.95)	19	-.248 (6.30)	-.248 (6.30)
6	-.195 (4.95)	+.065 (1.65)	20	-.116 (2.95)	-.390 (9.91)
7	-.195 (4.95)	-.065 (1.65)	21	+.000 (.00)	-.316 (8.03)
8	-.065 (1.65)	-.195 (4.95)	22	+.116 (2.95)	-.390 (9.91)
9	+.065 (1.65)	-.195 (4.95)	23	+.248 (6.30)	-.248 (6.30)
10	+.195 (4.95)	-.065 (1.65)	24	+.390 (9.91)	-.116 (2.95)
11	+.195 (4.95)	+.065 (1.65)	25	+.316 (8.03)	+.000 (.00)
12	+.065 (1.65)	+.195 (4.95)	26	+.390 (9.91)	+.116 (2.95)
13	+.000 (.00)	+.316 (8.03)	27	+.248 (6.30)	+.248 (6.30)
14	-.116 (2.95)	+.390 (9.91)	28	+.116 (2.95)	+.390 (9.91)

Shell size	Arrangement no.	Number of contacts	Size contacts	Service rating	Contact location	Supersedes
20	28	24	20	I	All	MS27561-28
		4	12			

FIGURE 8. Insert arrangement, electrical connector, shell size 20 (MIL-DTL-26500 and MIL-DTL-83723 Series III) - Continued.

MIL-STD-1554A



Contacts (Insert arrangement 20-39)					
Contact position ID	Location		Contact position ID	Location	
	X-axis (mm)	Y-axis (mm)		X-axis (mm)	Y-axis (mm)
1	+0.000 (.00)	-.006 (.15)	21	+0.153 (3.89)	+0.360 (9.14)
2	-.082 (2.08)	+0.095 (2.41)	22	+0.000 (.00)	+0.415 (10.54)
3	-.129 (3.28)	-.028 (.71)	23	-.153 (3.89)	+0.360 (9.14)
4	-.065 (1.65)	-.142 (3.61)	24	-.299 (7.59)	+0.286 (7.26)
5	+0.065 (1.65)	-.142 (3.61)	25	-.315 (8.00)	+0.157 (3.99)
6	+0.129 (3.28)	-.028 (.71)	26	-.409 (10.39)	+0.067 (1.70)
7	+0.082 (2.08)	+0.095 (2.41)	27	-.409 (10.39)	-.063 (1.60)
8	+0.065 (1.65)	+0.224 (5.69)	28	-.370 (9.40)	-.187 (4.75)
9	-.065 (1.65)	+0.224 (5.69)	29	-.294 (7.47)	-.292 (7.42)
10	-.193 (4.90)	+0.201 (5.11)	30	-.188 (4.78)	-.368 (9.35)
11	-.212 (5.38)	+0.072 (1.83)	31	-.065 (1.65)	-.410 (10.41)
12	-.280 (7.11)	-.040 (1.02)	32	+0.065 (1.65)	-.410 (10.41)
13	-.242 (6.15)	-.164 (4.17)	33	+0.188 (4.78)	-.368 (9.35)
14	-.141 (3.58)	-.247 (6.27)	34	+0.294 (7.47)	-.292 (7.42)

FIGURE 8. Insert arrangement, electrical connector, shell size 20 (MIL-DTL-26500 and MIL-DTL-83723 Series III) - Continued.

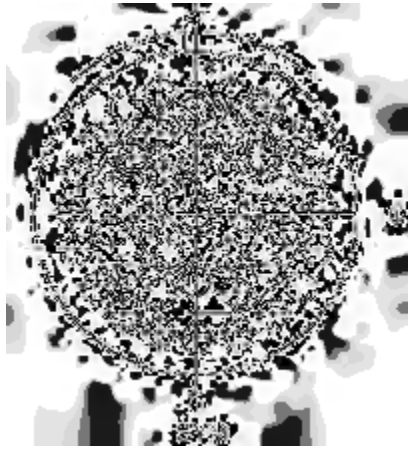
MIL-STD-1554A

Contacts (Insert arrangement 20-39)					
Contact position ID	Location		Contact position ID	Location	
	X-axis (mm)	Y-axis (mm)		X-axis (mm)	Y-axis (mm)
15	+0.000 (.00)	-.292 (7.42)	35	+0.370 (9.40)	-.187 (4.75)
16	+0.141 (3.58)	-.247 (6.27)	36	+0.409 (10.39)	-.063 (1.60)
17	+0.242 (6.15)	-.164 (4.17)	37	+0.409 (10.39)	+0.067 (1.70)
18	+0.280 (7.11)	-.040 (1.02)	38	+0.315 (8.00)	+0.157 (3.99)
19	+0.212 (5.38)	+0.072 (1.83)	39	+0.299 (7.59)	+0.286 (7.26)
20	+0.193 (4.90)	+0.201 (5.11)			

Shell size	Arrangement no.	Number of contacts	Size contacts	Service rating	Contact location	Supersedes
20	39	37	20	I	All	MS27561-39
		2	16			

FIGURE 8. Insert arrangement, electrical connector, shell size 20 (MIL-DTL-26500 and MIL-DTL-83723 Series III) - Continued.

MIL-STD-1554A



Contacts (Insert arrangement 20-41)					
Contact position ID	Location		Contact position ID	Location	
	X-axis (mm)	Y-axis (mm)		X-axis (mm)	Y-axis (mm)
1	+0.000 (.00)	+0.000 (.00)	22	+0.000 (.00)	+0.335 (8.51)
2	-.111 (2.82)	+0.105 (2.67)	23	-.116 (2.95)	+0.395 (10.03)
3	-.156 (3.96)	-.018 (.46)	24	-.234 (5.94)	+0.339 (8.61)
4	-.096 (2.44)	-.134 (3.40)	25	-.328 (8.33)	+0.249 (6.32)
5	+0.096 (2.44)	-.134 (3.40)	26	-.389 (9.88)	+0.134 (3.40)
6	+0.156 (3.96)	-.018 (.46)	27	-.412 (10.46)	+0.006 (.15)
7	+0.111 (2.82)	+0.105 (2.67)	28	-.394 (10.01)	-.123 (3.12)
8	+0.000 (.00)	+0.172 (4.37)	29	-.336 (8.53)	-.240 (6.10)
9	-.111 (2.82)	+0.265 (6.73)	30	-.245 (6.22)	-.333 (8.46)
10	-.214 (5.44)	+0.186 (4.72)	31	-.129 (3.28)	-.392 (9.96)
11	-.275 (6.99)	+0.071 (1.80)	32	+0.000 (.00)	-.413 (10.49)
12	-.280 (7.11)	-.059 (1.50)	33	+0.129 (3.28)	-.392 (9.96)
13	-.222 (5.64)	-.176 (4.47)	34	+0.245 (6.22)	-.333 (8.46)
14	-.124 (3.15)	-.262 (6.65)	35	+0.336 (8.53)	-.240 (6.10)

FIGURE 8. Insert arrangement, electrical connector, shell size 20 (MIL-DTL-26500 and MIL-DTL-83723 Series III) - Continued.

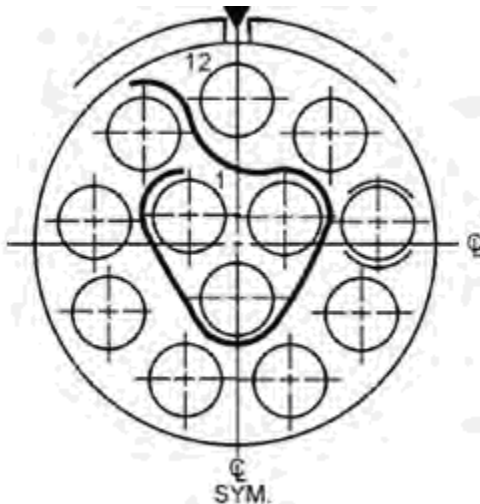
MIL-STD-1554A

Contacts (Insert arrangement 20-41)					
Contact position ID	Location		Contact position ID	Location	
	X-axis (mm)	Y-axis (mm)		X-axis (mm)	Y-axis (mm)
15	+0.000 (.00)	-.222 (5.64)	36	+394 (10.01)	-.123 (3.12)
16	+0.124 (3.15)	-.262 (6.65)	37	+412 (10.46)	+0.006 (.15)
17	+0.222 (5.64)	-.176 (4.47)	38	+389 (9.88)	+0.134 (3.40)
18	+0.280 (7.11)	-.059 (1.50)	39	+328 (8.33)	+0.249 (6.32)
19	+0.275 (6.99)	+0.071 (1.80)	40	+234 (5.94)	+0.339 (8.61)
20	+0.214 (5.44)	+0.186 (4.72)	41	+0.116 (2.95)	+0.395 (10.03)
21	+0.111 (2.82)	+0.265 (6.73)			

Shell size	Arrangement no.	Number of contacts	Size contacts	Service rating	Contact location	Supersedes
20	41	41	20	I	All	MS27561-41

FIGURE 8. Insert arrangement, electrical connector, shell size 20 (MIL-DTL-26500 and MIL-DTL-83723 Series III) - Continued.

MIL-STD-1554A



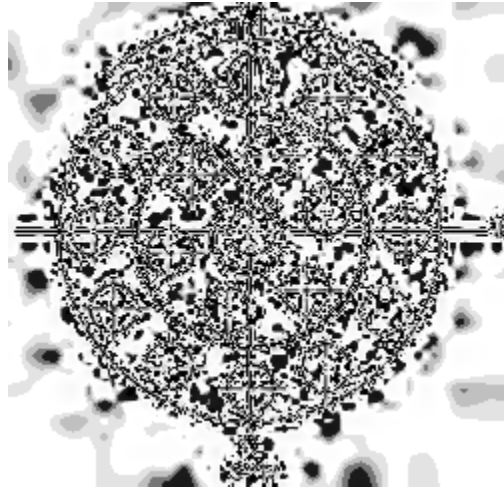
Contacts (Insert arrangement 22-12/13/14)					
Contact position ID	Location		Contact position ID	Location	
	X-axis (mm)	Y-axis (mm)		X-axis (mm)	Y-axis (mm)
1	-.131 (3.33)	+.075 (1.91)	7	-.136 (3.45)	-.374 (9.50)
2	+.000 (.00)	-.151 (3.84)	8	+.136 (3.45)	-.374 (9.50)
3	+.131 (3.33)	+.075 (1.91)	9	+.345 (8.76)	-.199 (5.05)
4	-.256 (6.50)	+.305 (7.75)	10	+.392 (9.96)	+.069 (1.75)
5	-.392 (9.96)	+.069 (1.75)	11	+.256 (6.50)	+.305 (7.75)
6	-.345 (8.76)	-.199 (5.05)	12	+.000 (.00)	+.398 (10.11)

Shell size	Arrangement no.	Number of contacts	Size contacts	Service rating	Contact location	Supersedes
22	12	12	12	I	All	MS24263-12
	13 *	11	Shielded per MS27184-22P MS27185-22S	I	1 thru 9 11 and 12	MS24263-13
		1	12	I	10	
	14 *	9	Shielded per MS27184-22P MS27185-22S	I	1 thru 9	MS24263-14
		3	12	I	10, 11, and 12	

* Applicable to MIL-DTL-26500 only.

FIGURE 9. Insert arrangement, electrical connector, shell size 22 (MIL-DTL-26500 and MIL-DTL-83723 Series III).

MIL-STD-1554A

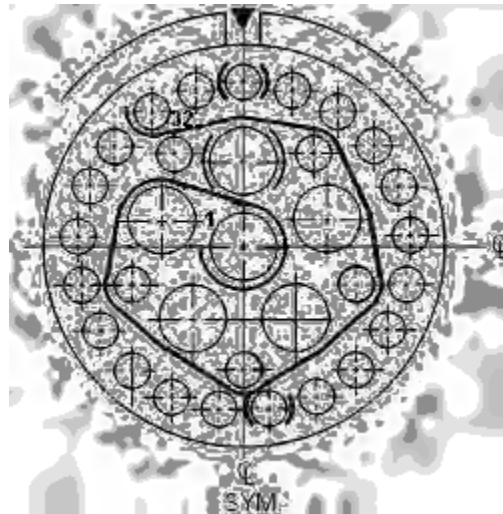


Contacts (Insert arrangement 22-19)					
Contact position ID	Location		Contact position ID	Location	
	X-axis (mm)	Y-axis (mm)		X-axis (mm)	Y-axis (mm)
1	+0.00 (.00)	+0.00 (.00)	11	-.374 (9.50)	-.216 (5.49)
2	-.158 (4.01)	+.158 (4.01)	12	-.216 (5.49)	-.374 (9.50)
3	-.216 (5.49)	-.057 (1.45)	13	+0.00 (.00)	-.432 (10.97)
4	-.057 (1.45)	-.216 (5.49)	14	+.216 (5.49)	-.374 (9.50)
5	+.158 (4.01)	-.158 (4.01)	15	+.374 (9.50)	-.216 (5.49)
6	+.216 (5.49)	+.057 (1.45)	16	+.432 (10.97)	+0.00 (.00)
7	+.057 (1.45)	+.216 (5.49)	17	+.374 (9.50)	+.216 (5.49)
8	-.216 (5.49)	+.374 (9.50)	18	+.216 (5.49)	+.374 (9.50)
9	-.374 (9.50)	+.216 (5.49)	19	+0.00 (.00)	+.432 (10.97)
10	-.432 (10.97)	+0.00 (.00)			

Shell size	Arrangement no.	Number of contacts	Size contacts	Service rating	Contact location	Supersedes
22	19	19	16	I	All	MS24263-19

FIGURE 9. Insert arrangement, electrical connector, shell size 22 (MIL-DTL-26500 and MIL-DTL-83723 Series III) - Continued.

MIL-STD-1554A



Contacts (Insert arrangement 22-32)					
Contact position ID	Location		Contact position ID	Location	
	X-axis (mm)	Y-axis (mm)		X-axis (mm)	Y-axis (mm)
1	+0.00 (.00)	+0.00 (.00)	17	-.307 (7.80)	-.334 (8.48)
2	-.228 (5.79)	+.075 (1.91)	18	-.197 (5.00)	-.409 (10.39)
3	-.307 (7.80)	-.103 (2.62)	19	-.067 (1.70)	-.449 (11.40)
4	-.140 (3.56)	-.194 (4.93)	20	+.067 (1.70)	-.449 (11.40)
5	+0.00 (.00)	-.334 (8.48)	21	+.197 (5.00)	-.409 (10.39)
6	+.140 (3.56)	-.194 (4.93)	22	+.307 (7.80)	-.334 (8.48)
7	+.307 (7.80)	-.103 (2.62)	23	+.392 (9.96)	-.229 (5.82)
8	+.228 (5.79)	+.075 (1.91)	24	+.442 (11.23)	-.103 (2.62)
9	+.190 (4.83)	+.261 (6.63)	25	+.453 (11.51)	+.035 (.89)
10	+0.00 (.00)	+.240 (6.10)	26	+.422 (10.72)	+.168 (4.27)
11	-.190 (4.83)	+.261 (6.63)	27	+.354 (8.99)	+.284 (7.21)
12	-.354 (8.99)	+.284 (7.21)	28	+.255 (6.48)	+.376 (9.55)
13	-.422 (10.72)	+.168 (4.27)	29	+.133 (3.38)	+.434 (11.02)

FIGURE 9. Insert arrangement, electrical connector, shell size 22 (MIL-DTL-26500 and MIL-DTL-83723 Series III) - Continued.

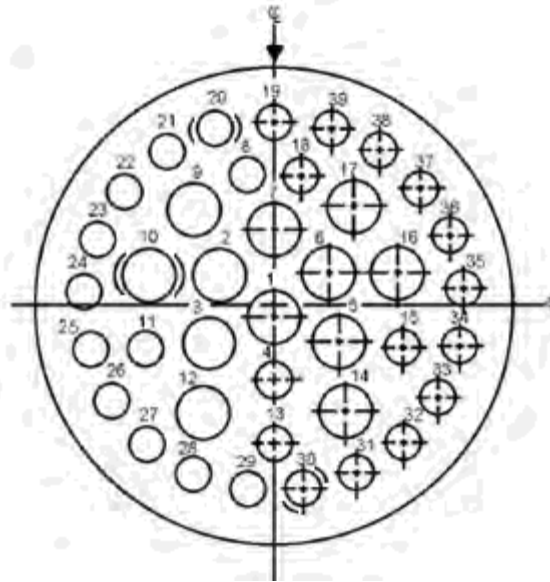
MIL-STD-1554A

Contacts (Insert arrangement 22-32)					
Contact position ID	Location		Contact position ID	Location	
	X-axis (mm)	Y-axis (mm)		X-axis (mm)	Y-axis (mm)
14	-.453 (11.51)	+.035 (.89)	30	+.000 (.00)	+.454 (11.53)
15	-.442 (11.23)	-.103 (2.62)	31	-.133 (3.38)	+.434 (11.02)
16	-.392 (9.96)	-.229 (5.82)	32	-.255 (6.48)	+.376 (9.55)

Shell size	Arrangement no.	Number of contacts	Size contacts	Service rating	Contact location	Supersedes
22	32	26	20	I	All	MS24263-32
		6	12			

FIGURE 9. Insert arrangement, electrical connector, shell size 22 (MIL-DTL-26500 and MIL-DTL-83723 Series III) - Continued.

MIL-STD-1554A



Contacts (Insert arrangement 22-39)					
Contact position ID	Location		Contact position ID	Location	
	X-axis (mm)	Y-axis (mm)		X-axis (mm)	Y-axis (mm)
1	+0.00 (.00)	-.028 (.71)	21	-.255 (6.48)	+.376 (9.55)
2	-.131 (3.33)	+.077 (1.96)	22	-.354 (8.99)	+.284 (7.21)
3	-.155 (3.94)	-.093 (2.36)	23	-.422 (10.72)	+.168 (4.27)
4	+0.00 (.00)	-.181 (4.60)	24	-.453 (11.51)	+.035 (.89)
5	+0.155 (3.94)	-.093 (2.36)	25	-.442 (11.23)	-.103 (2.62)
6	+0.131 (3.33)	+.077 (1.96)	26	-.392 (9.96)	-.229 (5.82)
7	+0.00 (.00)	+.186 (4.72)	27	-.307 (7.80)	-.334 (8.48)
8	-.065 (1.65)	+.323 (8.20)	28	-.197 (5.00)	-.411 (10.44)
9	-.191 (4.85)	+.238 (6.05)	29	-.067 (1.70)	-.449 (11.40)
10	-.299 (7.59)	+.077 (1.96)	30	+.067 (1.70)	-.449 (11.40)
11	-.307 (7.80)	-.103 (2.62)	31	+.197 (5.00)	-.411 (10.44)
12	-.174 (4.42)	-.260 (6.60)	32	+.307 (7.80)	-.334 (8.48)
13	+0.00 (.00)	-.334 (8.48)	33	+.392 (9.96)	-.229 (5.82)

FIGURE 9. Insert arrangement, electrical connector, shell size 22 (MIL-DTL-26500 and MIL-DTL-83723 Series III) - Continued.

MIL-STD-1554A

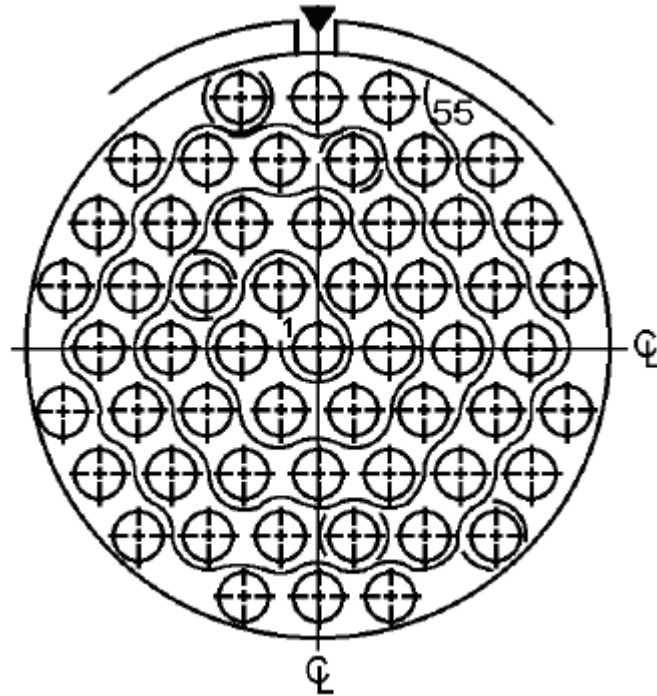
Contacts (Insert arrangement 22-39)					
Contact position ID	Location		Contact position ID	Location	
	X-axis (mm)	Y-axis (mm)		X-axis (mm)	Y-axis (mm)
14	+ .174 (4.42)	- .260 (6.60)	34	+ .442 (11.23)	- .103 (2.62)
15	+ .307 (7.80)	- .103 (2.62)	35	+ .453 (11.51)	+ .035 (.89)
16	+ .299 (7.59)	+ .077 (1.96)	36	+ .422 (10.72)	+ .168 (4.27)
17	+ .191 (4.85)	+ .238 (6.05)	37	+ .354 (8.99)	+ .284 (7.21)
18	+ .065 (1.65)	+ .323 (8.20)	38	+ .255 (6.48)	+ .376 (9.55)
19	+ .000 (.00)	+ .454 (11.53)	39	+ .133 (3.38)	+ .434 (11.02)
20	- .133 (3.38)	+ .434 (11.02)			

Shell size	Arrangement no.	Number of contacts	Size contacts	Service rating	Contact location	Supersedes
22	39	27	20	I	All	MS24263-39
		12	16			

Applicable to MIL-DTL-83723 series III only.

FIGURE 9. Insert arrangement, electrical connector, shell size 22 (MIL-DTL-26500 and MIL-DTL-83723 Series III) - Continued.

MIL-STD-1554A



Contacts (Insert arrangement 22-55)					
Contact position ID	Location		Contact position ID	Location	
	X-axis (mm)	Y-axis (mm)		X-axis (mm)	Y-axis (mm)
1	+0.00 (.00)	+0.00 (.00)	29	-0.065 (1.65)	-0.339 (8.61)
2	-0.065 (1.65)	+0.113 (2.87)	30	+0.065 (1.65)	-0.339 (8.61)
3	-0.130 (3.30)	+0.000 (.00)	31	+0.195 (4.95)	-0.339 (8.61)
4	-0.065 (1.65)	-0.113 (2.87)	32	+0.260 (6.60)	-0.226 (5.74)
5	+0.065 (1.65)	-0.113 (2.87)	33	+0.325 (8.26)	-0.113 (2.87)
6	+0.130 (3.30)	+0.000 (.00)	34	+0.390 (9.91)	+0.000 (.00)
7	+0.065 (1.65)	+0.113 (2.87)	35	+0.325 (8.26)	+0.113 (2.87)
8	+0.000 (.00)	+0.226 (5.74)	36	+0.260 (6.60)	+0.226 (5.74)
9	-0.130 (3.30)	+0.226 (5.74)	37	+0.195 (4.95)	+0.339 (8.61)
10	-0.195 (4.95)	+0.113 (2.87)	38	+0.130 (3.30)	+0.452 (11.48)
11	-0.260 (6.60)	+0.000 (.00)	39	+0.000 (.00)	+0.452 (11.48)
12	-0.195 (4.95)	-0.113 (2.87)	40	-0.130 (3.30)	+0.452 (11.48)

FIGURE 9. Insert arrangement, electrical connector, shell size 22 (MIL-DTL-26500 and MIL-DTL-83723 Series III) - Continued.

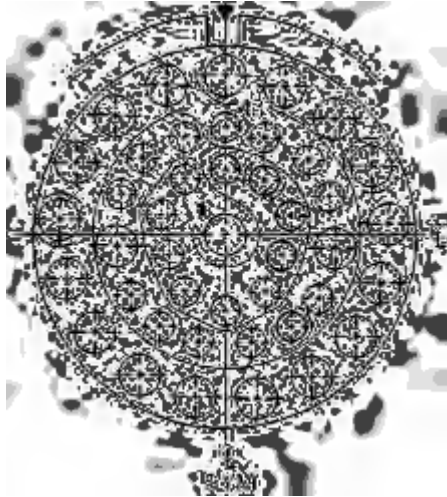
MIL-STD-1554A

Contacts (Insert arrangement 22-55)					
Contact position ID	Location		Contact position ID	Location	
	X-axis (mm)	Y-axis (mm)		X-axis (mm)	Y-axis (mm)
13	-.130 (3.30)	-.226 (5.74)	41	-.325 (8.26)	+.339 (8.61)
14	+.000 (.00)	-.226 (5.74)	42	-.390 (9.91)	+.226 (5.74)
15	+.130 (3.30)	-.226 (5.74)	43	-.455 (11.56)	+.113 (2.87)
16	+.195 (4.95)	-.113 (2.87)	44	-.455 (11.56)	-.113 (2.87)
17	+.260 (6.60)	+.000 (.00)	45	-.390 (9.91)	-.226 (5.74)
18	+.195 (4.95)	+.113 (2.87)	46	-.325 (8.26)	-.339 (8.61)
19	+.130 (3.30)	+.226 (5.74)	47	-.130 (3.30)	-.452 (11.48)
20	+.065 (1.65)	+.339 (8.61)	48	+.000 (.00)	-.452 (11.48)
21	-.065 (1.65)	+.339 (8.61)	49	+.130 (3.30)	-.452 (11.48)
22	-.195 (4.95)	+.339 (8.61)	50	+.325 (8.26)	-.339 (8.61)
23	-.260 (6.60)	+.226 (5.74)	51	+.390 (9.91)	-.226 (5.74)
24	-.325 (8.26)	+.113 (2.87)	52	+.455 (11.56)	-.113 (2.87)
25	-.390 (9.91)	+.000 (.00)	53	+.455 (11.56)	+.113 (2.87)
26	-.235 (5.97)	-.113 (2.87)	54	+.390 (9.91)	+.226 (5.74)
27	-.260 (6.60)	-.226 (5.74)	55	+.325 (8.26)	+.339 (8.61)
28	-.195 (4.95)	-.339 (8.61)			

Shell size	Arrangement no.	Number of contacts	Size contacts	Service rating	Contact location	Supersedes
22	55	55	20	I	All	MS24263-55

FIGURE 9. Insert arrangement, electrical connector, shell size 22 (MIL-DTL-26500 and MIL-DTL-83723 Series III) - Continued.

MIL-STD-1554A



Contacts (Insert arrangement 24-43)					
Contact position ID	Location		Contact position ID	Location	
	X-axis (mm)	Y-axis (mm)		X-axis (mm)	Y-axis (mm)
1	+0.000 (.00)	+0.000 (.00)	23	+0.323 (8.20)	+0.130 (3.30)
2	-.126 (3.20)	+0.177 (4.50)	24	+0.252 (6.40)	+0.239 (6.07)
3	-.202 (5.13)	+0.071 (1.80)	25	+0.126 (3.20)	+0.315 (8.00)
4	-.176 (4.47)	-.056 (1.42)	26	+0.000 (.00)	+0.345 (8.76)
5	-.126 (3.20)	-.176 (4.47)	27	-.180 (4.57)	+0.473 (12.01)
6	+0.000 (.00)	-.233 (5.92)	28	-.337 (8.56)	+0.379 (9.63)
7	+0.126 (3.20)	-.176 (4.47)	29	-.456 (11.58)	+0.224 (5.69)
8	+0.176 (4.47)	-.056 (1.42)	30	-.505 (12.83)	+0.044 (1.12)
9	+0.202 (5.13)	+0.071 (1.80)	31	-.489 (12.42)	-.138 (3.51)
10	+0.126 (3.20)	+0.177 (4.50)	32	-.405 (10.29)	-.306 (7.77)
11	+0.000 (.00)	+0.215 (5.46)	33	-.267 (6.78)	-.430 (10.92)
12	-.126 (3.20)	+0.315 (8.00)	34	-.092 (2.34)	-.497 (12.62)

FIGURE 10. Insert arrangement, electrical connector, shell size 24 (MIL-DTL-26500 and MIL-DTL-83723 Series III).

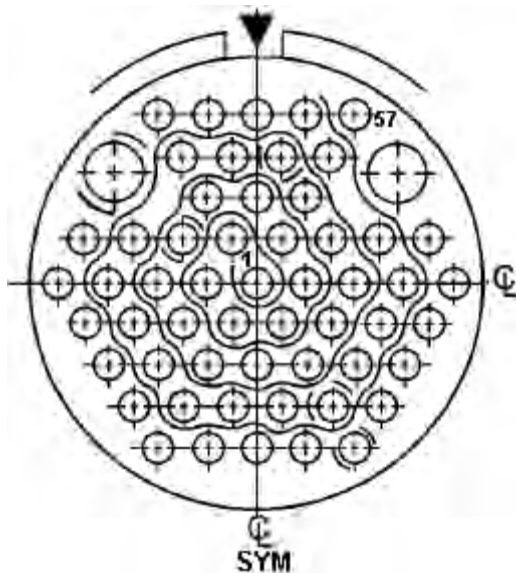
MIL-STD-1554A

Contacts (Insert arrangement 24-43)					
Contact position ID	Location		Contact position ID	Location	
	X-axis (mm)	Y-axis (mm)		X-axis (mm)	Y-axis (mm)
13	-.252 (6.40)	+.239 (6.07)	35	+.092 (2.34)	-.497 (12.62)
14	-.323 (8.20)	+.130 (3.30)	36	+.267 (6.78)	-.430 (10.92)
15	-.337 (8.56)	-.031 (.79)	37	+.405 (10.29)	-.306 (7.77)
16	-.292 (7.42)	-.188 (4.78)	38	-.489 (12.42)	-.138 (3.51)
17	-.202 (5.13)	-.282 (7.16)	39	+.505 (12.83)	+.044 (1.12)
18	-.081 (2.06)	-.334 (8.48)	40	+.456 (11.58)	+.224 (5.69)
19	+.081 (2.06)	-.334 (8.48)	41	+.337 (8.56)	+.379 (9.63)
20	+.202 (5.13)	-.282 (7.16)	42	+.180 (4.57)	+.473 (12.01)
21	+.292 (7.42)	-.188 (4.78)	43	+.000 (.00)	+.507 (12.88)
22	+.337 (8.56)	-.031 (.79)			

Shell size	Arrangement no.	Number of contacts	Size contacts	Service rating	Contact location	Supersedes
24	43	23	20	I	All	MS27561-43
		20	16			

FIGURE 10. Insert arrangement, electrical connector, shell size 24 (MIL-DTL-26500 and MIL-DTL-83723 Series III) - Continued.

MIL-STD-1554A



Contacts (Insert arrangement 24-57)					
Contact position ID	Location		Contact position ID	Location	
	X-axis (mm)	Y-axis (mm)		X-axis (mm)	Y-axis (mm)
1	+0.00 (.00)	+0.00 (.00)	30	+0.195 (4.95)	-.339 (8.61)
2	-.065 (1.65)	+0.113 (2.87)	31	+0.260 (6.60)	-.226 (5.74)
3	-.130 (3.30)	+0.00 (.00)	32	+0.325 (8.26)	-.113 (2.87)
4	-.065 (1.65)	-.113 (2.87)	33	+0.390 (9.91)	+0.00 (.00)
5	+0.065 (1.65)	-.113 (2.87)	34	+0.325 (8.26)	+0.113 (2.87)
6	+0.130 (3.30)	+0.00 (.00)	35	+0.195 (4.95)	+0.339 (8.61)
7	+0.065 (1.65)	+0.113 (2.87)	36	+0.130 (3.30)	+0.452 (11.48)
8	+0.00 (.00)	+0.226 (5.74)	37	+0.00 (.00)	+0.452 (11.48)
9	-.130 (3.30)	+0.226 (5.74)	38	-.130 (3.30)	+0.452 (11.48)
10	-.195 (4.95)	+0.113 (2.87)	39	-.260 (6.60)	+0.452 (11.48)
11	-.260 (6.60)	+0.00 (.00)	40	-.379 (9.63)	+0.294 (7.47)
12	-.195 (4.95)	-.113 (2.87)	41	-.455 (11.56)	+0.113 (2.87)

FIGURE 10. Insert arrangement, electrical connector, shell size 24 (MIL-DTL-26500 and MIL-DTL-83723 Series III) - Continued.

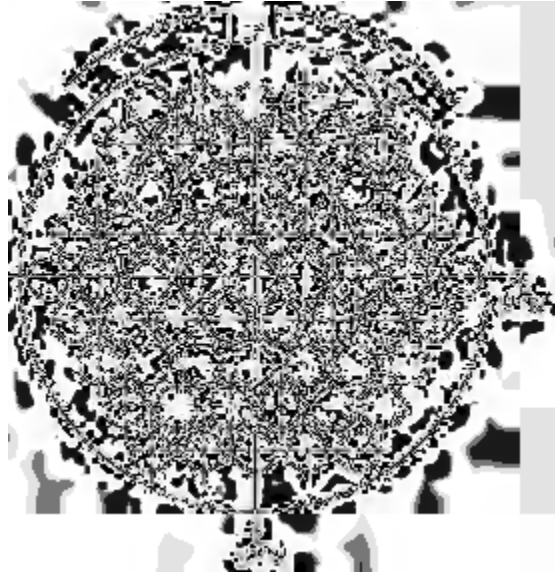
MIL-STD-1554A

Contacts (Insert arrangement 24-57)					
Contact position ID	Location		Contact position ID	Location	
	X-axis (mm)	Y-axis (mm)		X-axis (mm)	Y-axis (mm)
13	-.130 (3.30)	-.226 (5.74)	42	-.520 (13.21)	+0.000 (.00)
14	+0.000 (.00)	-.226 (5.74)	43	-.455 (11.56)	-.113 (2.87)
15	+0.130 (3.30)	-.226 (5.74)	44	-.390 (9.91)	-.226 (5.74)
16	+0.195 (4.95)	-.113 (2.87)	45	-.325 (8.26)	-.339 (8.61)
17	+0.260 (6.60)	+0.000 (.00)	46	-.260 (6.60)	-.452 (11.48)
18	+0.195 (4.95)	+0.113 (2.87)	47	-.130 (3.30)	-.452 (11.48)
19	+0.130 (3.30)	+0.226 (5.74)	48	+0.000 (.00)	-.452 (11.48)
20	+0.065 (1.65)	+0.339 (8.61)	49	+0.130 (3.30)	-.452 (11.48)
21	-.065 (1.65)	+0.339 (8.61)	50	+0.260 (6.60)	-.452 (11.48)
22	-.195 (4.95)	+0.339 (8.61)	51	+0.325 (8.26)	-.339 (8.61)
23	-.325 (8.26)	+0.113 (2.87)	52	+0.390 (9.91)	-.226 (5.74)
24	-.390 (9.91)	+0.000 (.00)	53	+0.455 (11.56)	-.113 (2.87)
25	-.325 (8.26)	-.113 (2.87)	54	+0.520 (13.21)	+0.000 (.00)
26	-.260 (6.60)	-.226 (5.74)	55	+0.455 (11.56)	+0.113 (2.87)
27	-.195 (4.95)	-.339 (8.61)	56	+0.379 (9.63)	+0.294 (7.47)
28	-.065 (1.65)	-.339 (8.61)	57	+0.260 (6.60)	+0.452 (11.48)
29	+0.065 (1.65)	-.339 (8.61)			

Shell size	Arrangement no.	Number of contacts	Size contacts	Service rating	Contact location	Supersedes
24	57	55	20	I	All	MS27561-57
		2	12			

FIGURE 10. Insert arrangement, electrical connector, shell size 24 (MIL-DTL-26500 and MIL-DTL-83723 Series III) - Continued.

MIL-STD-1554A



Contacts (Insert arrangement 24-61)					
Contact position ID	Location		Contact position ID	Location	
	X-axis (mm)	Y-axis (mm)		X-axis (mm)	Y-axis (mm)
1	+0.000 (.00)	+0.000 (.00)	32	+0.260 (6.60)	-.226 (5.74)
2	-.065 (1.65)	+0.113 (2.87)	33	+0.325 (8.26)	-.113 (2.87)
3	-.130 (3.30)	+0.000 (.00)	34	+0.390 (9.91)	+0.000 (.00)
4	-.065 (1.65)	-.113 (2.87)	35	+0.325 (8.26)	+0.113 (2.87)
5	+0.065 (1.65)	-.113 (2.87)	36	+0.260 (6.60)	+0.226 (5.74)
6	+0.130 (3.30)	+0.000 (.00)	37	+0.195 (4.95)	+0.339 (8.61)
7	+0.065 (1.65)	+0.113 (2.87)	38	+0.130 (3.30)	+0.452 (11.48)
8	+0.000 (.00)	+0.226 (5.74)	39	+0.000 (.00)	+0.452 (11.48)
9	-.130 (3.30)	+0.226 (5.74)	40	-.130 (3.30)	+0.452 (11.48)
10	-.195 (4.95)	+0.113 (2.87)	41	-.260 (6.60)	+0.452 (11.48)
11	-.260 (6.60)	+0.000 (.00)	42	-.325 (8.26)	+0.339 (8.61)
12	-.195 (4.95)	-.113 (2.87)	43	-.390 (9.91)	+0.226 (5.74)

FIGURE 10. Insert arrangement, electrical connector, shell size 24 (MIL-DTL-26500 and MIL-DTL-83723 Series III) - Continued.

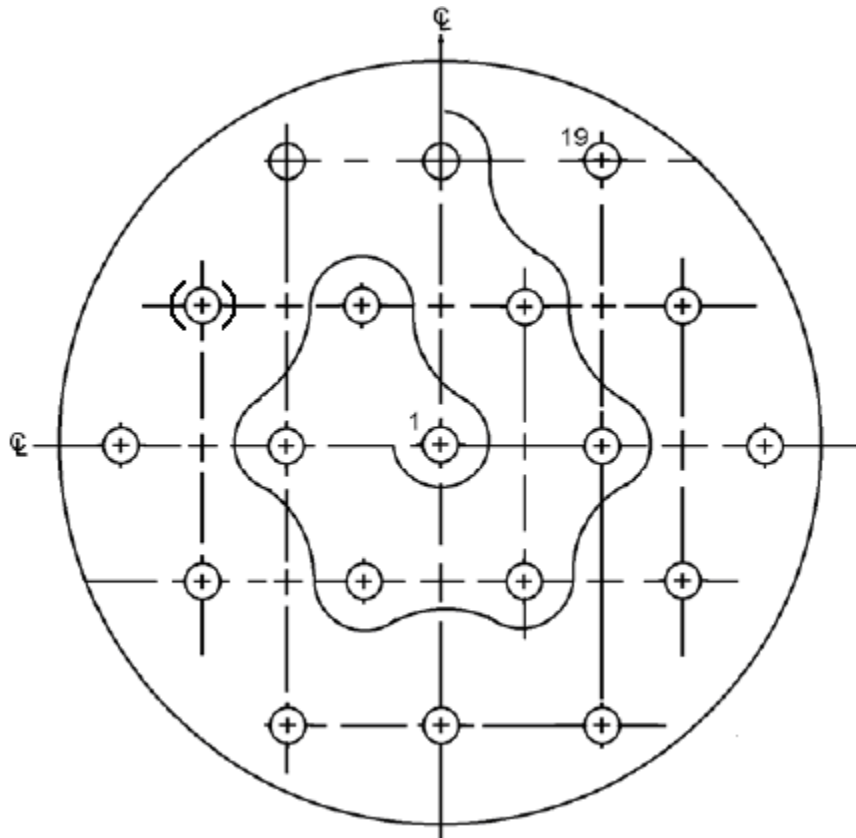
MIL-STD-1554A

Contacts (Insert arrangement 24-61)					
Contact position ID	Location		Contact position ID	Location	
	X-axis (mm)	Y-axis (mm)		X-axis (mm)	Y-axis (mm)
13	-.130 (3.30)	-.226 (5.74)	44	-.455 (11.56)	+.113 (2.87)
14	+.000 (.00)	-.226 (5.74)	45	-.520 (13.21)	+.000 (.00)
15	+.130 (3.30)	-.226 (5.74)	46	-.455 (11.56)	-.113 (2.87)
16	+.195 (4.95)	-.113 (2.87)	47	-.390 (9.91)	-.226 (5.74)
17	+.260 (6.60)	+.000 (.00)	48	-.325 (8.26)	-.339 (8.61)
18	+.195 (4.95)	+.113 (2.87)	49	-.260 (6.60)	-.452 (11.48)
19	+.130 (3.30)	+.226 (5.74)	50	-.130 (3.30)	-.452 (11.48)
20	+.065 (1.65)	+.339 (8.61)	51	+.000 (.00)	-.452 (11.48)
21	-.065 (1.65)	+.339 (8.61)	52	+.130 (3.30)	-.452 (11.48)
22	-.195 (4.95)	+.339 (8.61)	53	+.260 (6.60)	-.452 (11.48)
23	-.260 (6.60)	+.226 (5.74)	54	+.325 (8.26)	-.339 (8.61)
24	-.325 (8.26)	+.113 (2.87)	55	+.390 (9.91)	-.226 (5.74)
25	-.390 (9.91)	+.000 (.00)	56	+.455 (11.56)	-.113 (2.87)
26	-.325 (8.26)	-.113 (2.87)	57	+.520 (13.21)	+.000 (.00)
27	-.260 (6.60)	-.226 (5.74)	58	+.455 (11.56)	+.113 (2.87)
28	-.195 (4.95)	-.339 (8.61)	59	+.390 (9.91)	+.226 (5.74)
29	-.065 (1.65)	-.339 (8.61)	60	+.326 (8.28)	+.339 (8.61)
30	+.065 (1.65)	-.339 (8.61)	61	+.260 (6.60)	+.452 (11.48)
31	+.195 (4.95)	-.339 (8.61)			

Shell size	Arrangement no.	Number of contacts	Size contacts	Service rating	Contact location	Supersedes
24	61	61	20	I	All	MS27561-61

FIGURE 10. Insert arrangement, electrical connector, shell size 24 (MIL-DTL-26500 and MIL-DTL-83723 Series III) - Continued.

MIL-STD-1554A



Contacts (Insert arrangement 24-19)					
Contact position ID	Location		Contact position ID	Location	
	X-axis (mm)	Y-axis (mm)		X-axis (mm)	Y-axis (mm)
1	+0.00 (.00)	+0.00 (.00)	11	-.476 (12.09)	+0.00 (.00)
2	-.119 (3.02)	+.206 (5.23)	12	-.357 (9.07)	-.206 (5.23)
3	-.238 (6.05)	+0.00 (.00)	13	-.238 (6.05)	-.412 (10.46)
4	-.119 (3.02)	-.206 (5.23)	14	+0.00 (.00)	-.412 (10.46)
5	+.119 (3.02)	-.206 (5.23)	15	+.238 (6.05)	-.412 (10.46)
6	+.238 (6.05)	+0.00 (.00)	16	+.357 (9.07)	-.206 (5.23)
7	+.119 (3.02)	+.206 (5.23)	17	+.476 (12.09)	+0.00 (.00)

FIGURE 10. Insert arrangement, electrical connector, shell size 24 (MIL-DTL-26500 and MIL-DTL-83723 Series III) - Continued.

MIL-STD-1554A

Contacts (Insert arrangement 24-19)					
Contact position ID	Location		Contact position ID	Location	
	X-axis (mm)	Y-axis (mm)		X-axis (mm)	Y-axis (mm)
8	+0.000 (.00)	+0.412 (10.46)	18	+0.357 (9.07)	+0.206 (5.23)
9	-0.238 (6.05)	+0.412 (10.46)	19	+0.238 (6.05)	+0.412 (10.46)
10	-0.357 (9.07)	+0.206 (5.23)			

Shell size	Arrangement no.	Number of contacts	Size contacts	Service rating	Contact location	Supersedes
24	19	19	12	I	All	-- --

FIGURE 10. Insert arrangement, electrical connector, shell size 24 (MIL-DTL-26500 and MIL-DTL-83723 Series III) - Continued.

MIL-STD-1554A

CONCLUDING MATERIAL

Custodians:

Army – CR
Navy – AS
Air Force – 85
DLA - CC

Preparing activity:

DLA - CC

(Project 5935-2007-153)

Review activities:

Army – AR, AV, MI
Navy – EC
Air Force – 19, 99

NOTE: The activities listed above were interested in this document as of the date of this document. Since organizations and responsibilities can change, you should verify the currency of the information above using the ASSIST Online database at <http://assist.daps.dla.mil>.