

MIL-STD-1360A
26 September 1979

SECTION 200

FUSEHOLDERS

- 201 BLOCK TYPE
- 202 EXTRACTOR POST TYPE

MIL-STD-1360A
26 September 1979

SECTION 201
FUSEHOLDERS, BLOCK TYPE

MIL-F-21346
MIL-F-5373 (Aircraft)

1

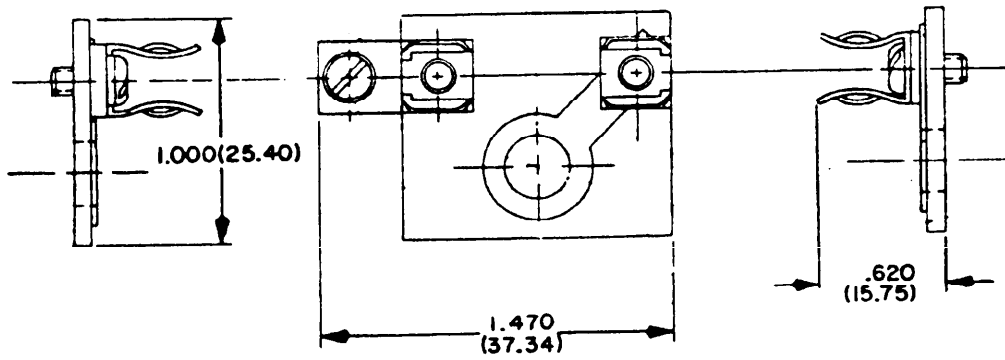
2

3

4

MIL-STD-1360A
26 September 1979

SECTION 201.1
FUSEHOLDERS, STYLE FH20AM, METER MOUNTED
MIL-F-21346/3

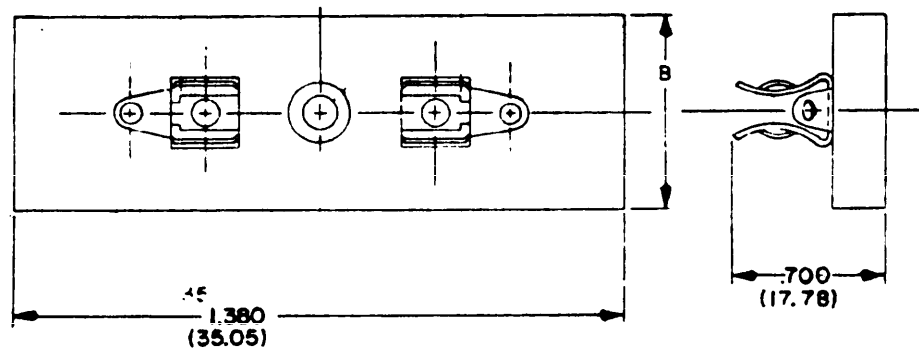


For ferrule type fuses
F01, MIL-F-15160/1

MIL-STD-132A
26 September 1979

SECTION 201.2

FUSEHOLDERS, STYLE FH21, SOLDER LUG TERMINALS,
MIL-F-21346/3



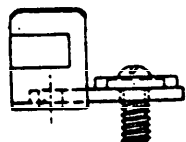
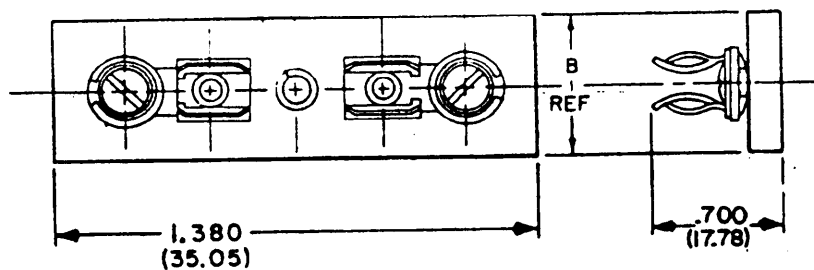
For ferrule type fuses
F01, MIL-F-15160/1

Part no.	No. poles	B	Part no.	No. poles	B
FH21AM	1	.50 (12.70)	FH21JM	7	4.25 (107.95)
FH21BM	2	1.12 (28.45)	FH21KM	8	4.88 (123.95)
FH21CM	3	1.75 (44.45)	FH 21LM	9	5.50 (139.70)
FH21EM	4	2.38 (60.45)	FH21MM	10	6.12 (155.45)
FH21GM	5	3.00 (76.20)	FH21NM	11	6.75 (171.45)
FH21HM	6	3.62 (91.95)	FH21PM	12	7.38 (187.45)

MIL-STD-1360A
26 September 1979

SECTION 201.3

FUSEHOLDERS, STYLE FH22, SCREW TERMINALS,
MIL-F-21346/3



For ferrule type fuses
F02 and F03, MIL-F-15160/2 and /3

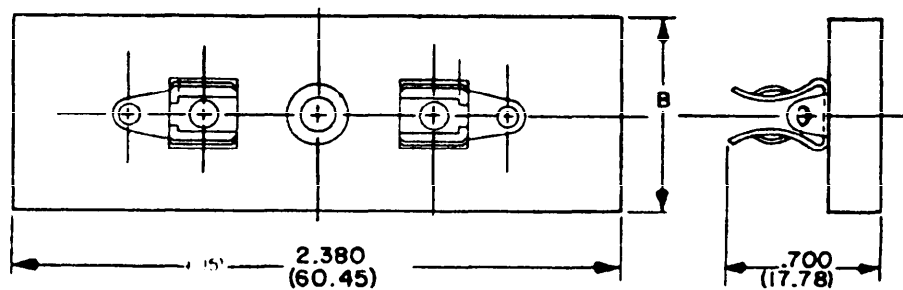
Part no.	No. poles	B	Part no.	No. poles	B
FH22AM	1	.78 (19.81)	FH22JM	7	6.22 (157.99)
FH22BM	2	1.69 (42.93)	FH22KM	8	7.12 (180.85)
FH22CM	3	2.59 (65.79)	FH22LM	9	8.03 (203.96)
FH22EM	4	3.50 (88.90)	FH22MM	10	8.94 (227.08)
FH22GM	5	4.41 (112.01)	FH22NM	11	9.84 (249.94)
FH22HM	6	5.31 (134.87)	FH22PM	12	10.75 (273.05)

SECTION 201.3

MIL-STD-1360A
26 September 1979

SECTION 201.4

FUSEHOLDERS, STYLE FH23, SOLDER LUG TERMINALS.
MIL-F-21346/3

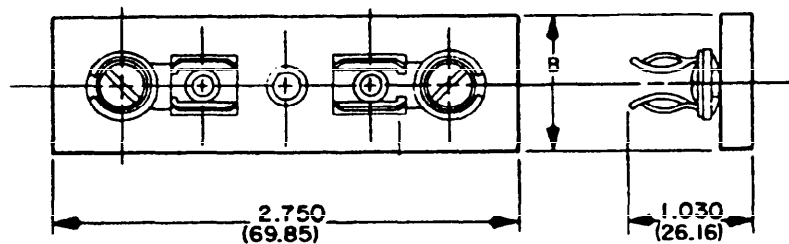


For ferrule type fuses
F02 and F03, MIL-F-15160/2 and /3

Part No.	No. poles	B	Part No.	No. poles	B
FH23AM	1	0.78 (19.81)	FH23JM	7	6.22 (157.99)
FH23BM	2	1.69 (42.93)	FH23KM	8	7.12 (180.85)
FH23CM	3	2.59 (65.79)	FH23LM	9	8.03 (203.96)
FH23EM	4	3.50 (88.90)	FH23MM	10	8.94 (227.08)
FH23GM	5	4.41 (112.01)	FH23NM	11	9.84 (249.94)
FH23HM	6	5.31 (113.87)	FH23PM	12	10.75 (273.05)

MIL-STD-1360A
26 September 1979

SECTION 201.5

FUSEHOLDERS, STYLE FH25, SCREW TERMINALS,
MIL-F 21346/3

For ferrule type fuses F09, F10, and
F60, MIL-F-15160/9, /10, and /60.

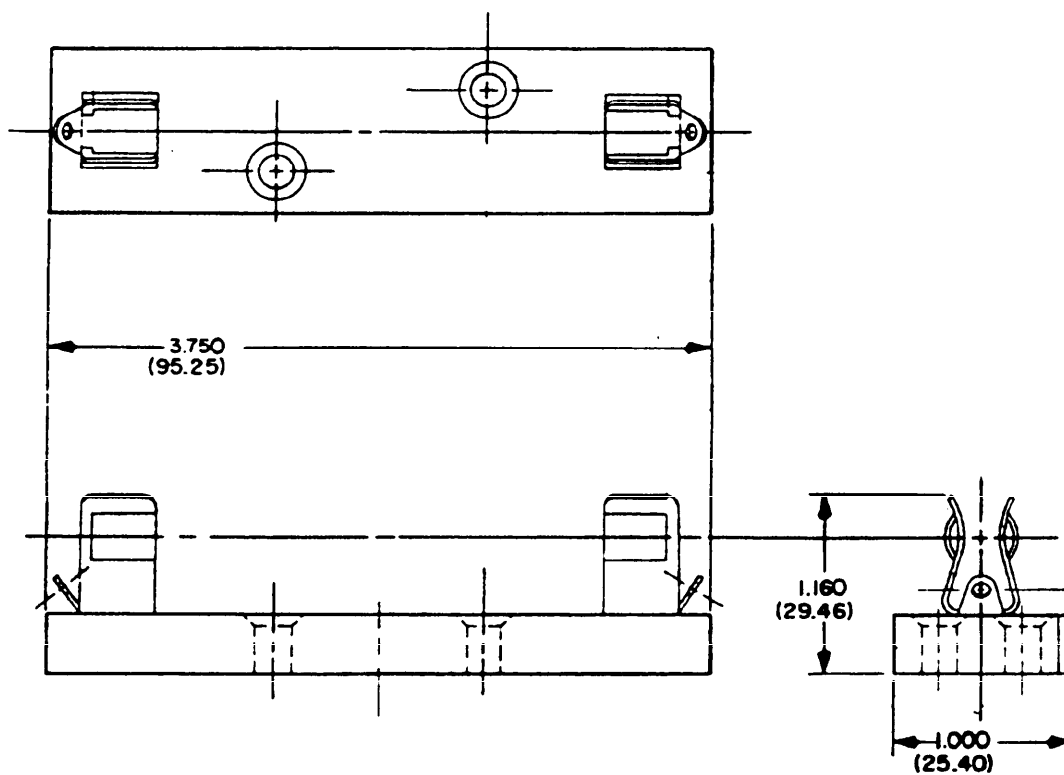
Part no.	No. poles	B	Part no.	No. poles	B
FH25AM	1	.84 (21.34)	FH25AMF	1	.84 (21.34)
FH25BM	2	1.81 (45.97)	FH25BMF	2	1.81 (45.97)
FH25CM	3	2.78 (70.61)	FH25CMF	3	2.78 (70.61)
FH25EM	4	3.75 (95.25)	FH25EMF	4	3.75 (95.25)
FH25GM	5	4.72 (119.89)	FH25GMF	5	4.72 (119.89)
FH25HM	6	5.69 (144.53)	FH25HMF	6	5.69 (144.53)
FH25JM	7	6.66 (169.16)	FH25JMF	7	6.66 (169.16)
FH25KM	8	7.62 (193.55)	FH25KMF	8	7.62 (193.55)
FH25LM	9	8.59 (218.19)	FH25LMF	9	8.59 (218.19)
FH25MM	10	9.56 (242.82)	FH25MMF	10	9.56 (242.82)
FH25NM	11	10.53 (267.46)	FH25NMF	11	10.53 (267.46)
FH25PM	12	11.50 (292.10)	FH25PMF	12	11.50 (292.10)

SECTION 201.5

MIL-STD-1360A
26 September 1979

SECTION 201.6

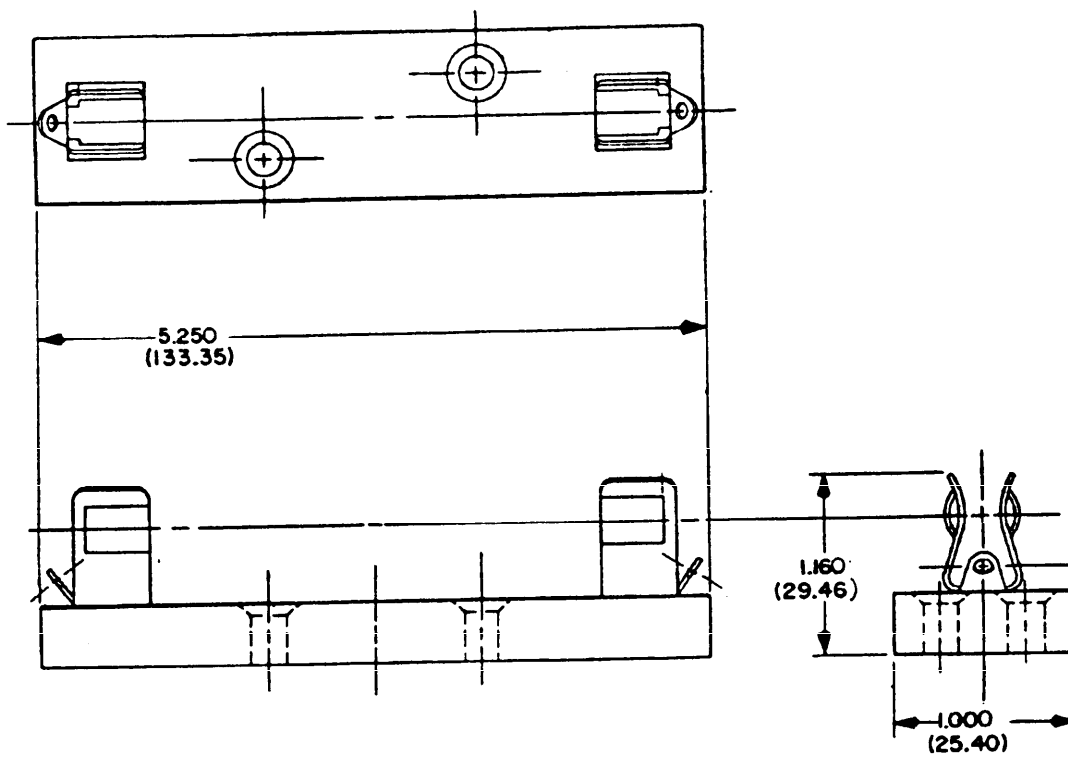
FUSEHOLDERS, STYLE FH30AM, SOLDER LUG TERMINALS,
MIL-F-21346/3



For ferrule type fuses
F27, MIL-F-15160/27

MIL-STD-1360A
26 September 1974

SECTION 201.7
FUSEHOLDERS, STYLE FH31AM, SOLDER LUG TERMINALS,
MIL-F-21346/3

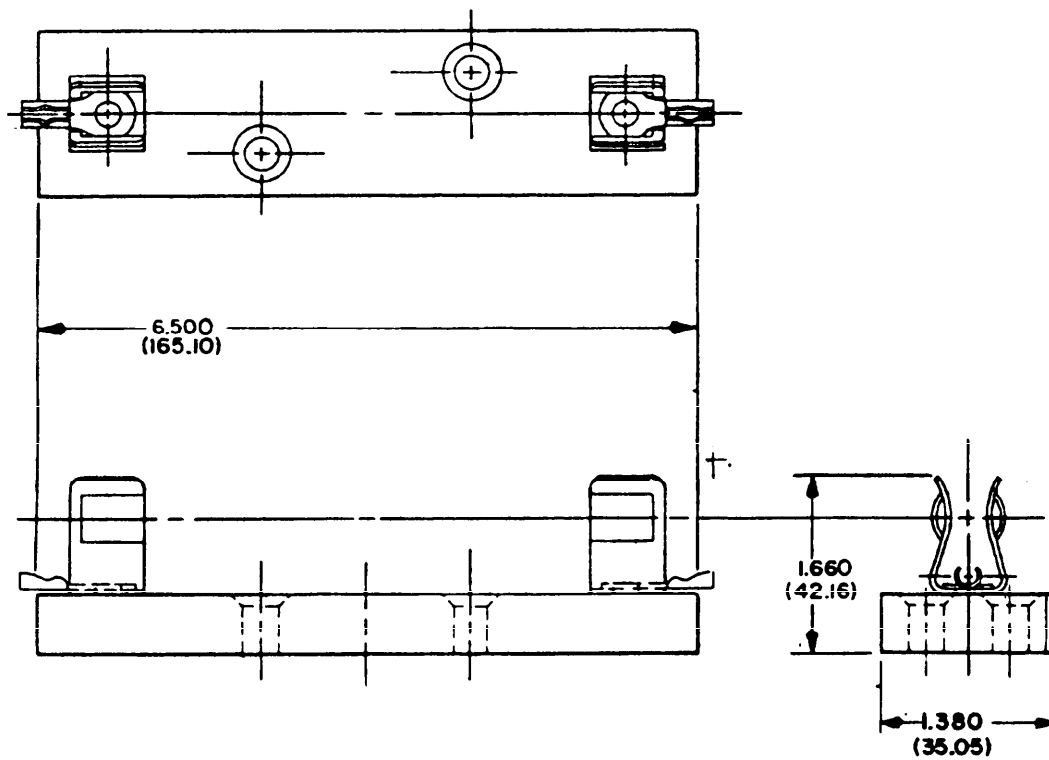


**For ferrule type fuses
F28, MIL-F-15160/28**

MIL-STD-1360A
26 September 1979

SECTION 201.8

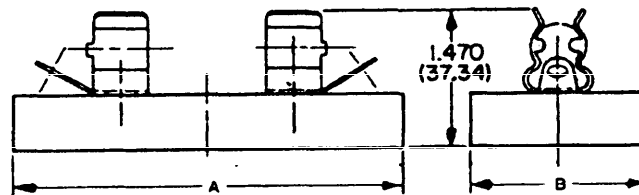
FUSEHOLDERS, STYLE FH32AM, WIRE LUG TERMINALS,
MIL-F-21346/3



For ferrule type fuses
F29, MIL-F-15160/29

MIL-STD-1360A
26 September 1979

SECTION 201.9

FUSEHOLDERS, STYLE FH26, SOLDER LUG TERMINALS,
MIL-F-21346/4

For ferrule type fuses
F15 and F61, MIL-F-15160/15 and /61

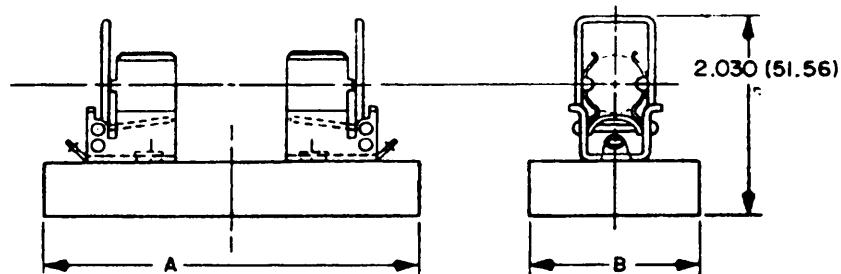
Part no.	Class	Dim	
		A	B
FH26AM	1 pole, main line	3.44 (87.38)	1.50 (38.10)
FH26BM	2 pole, main line	3.44 (87.38)	2.81 (71.37)
FH26BS	2 pole, single branch	4.94 (125.48)	
FH26BD	2 pole, double branch	7.75 (196.85)	
FH26CM	3 pole, main line	3.75 (95.25)	4.06 (103.12)
FH26CS	3 pole, single branch	6.06 (153.92)	
FH26CD	3 pole, double branch	8.88 (225.55)	
FH26DM	3 pole, main line*	3.75 (95.25)	4.00 (101.60)
FH26DS	3 pole, single branch*	7.50 (190.50)	
FH26DD	3 pole, double branch*	9.38 (238.25)	

*Two poles fusible; solid neutral bus.

MIL-STD-1360A
26 September 1979

SECTION 201.10

FUSEHOLDERS, STYLE FH27, LOCKING AND EJECTOR SPRING,
MIL-F-21346/4



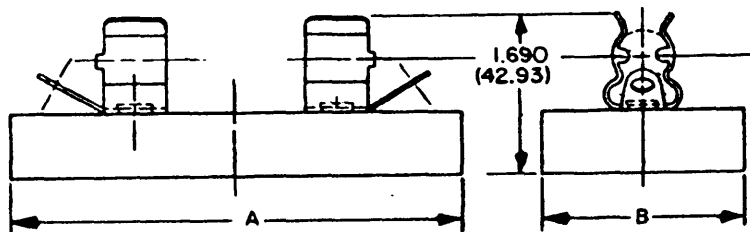
For ferrule type fuses
F15 and F61, MIL-F-15160/15 and /61

Part no.	Class	Dim	
		A	B
FH27AM	1 pole, main line	3.44 (87.38)	1.50 (38.10)
FH27BM	2 pole, main line	3.44 (87.38)	2.81 (71.37)
FH27BS	2 pole, single branch	4.94 (125.46)	
FH27BD	2 pole, double branch	7.75 (196.85)	4.06 (103.12)
FH27CM	3 pole, main line	3.75 (95.25)	
FH27CS	3 pole, single branch	6.06 (153.92)	
FH27CD	3 pole, double branch	8.88 (225.55)	4.00 (101.60)
FH27DM	3 pole, main line*	3.75 (95.25)	
FH27DS	3 pole, single branch*	7.50 (109.50)	
FH27DD	3 pole, double branch*	9.38 (238.25)	

*Two poles fusible; solid neutral bus.

MIL-STD-1360A
26 September 1979

SECTION 201.11

FUSEHOLDERS, STYLE FH28, SOLDER LUG TERMINALS,
MIL-F-21346/4

For ferrule type fuses
F16 and F62, MIL-F-15160/16 and 62

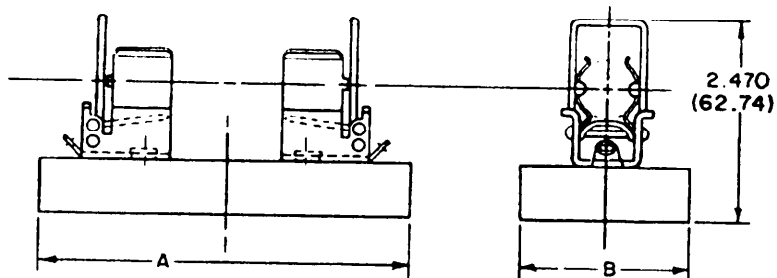
Part no.	Class	Dim	
		A	B
FH28AM	1 pole, main line	5.00 (127.00)	1.88 (47.75)
FH28BM	2 pole, main line	5.00 (127.00)	3.62 (91.95)
FH28BS	2 pole, single branch	6.75 (171.45)	
FH28BD	2 pole, double branch	10.62 (269.75)	
FH28CM	3 pole, main line	5.00 (127.00)	5.31 (134.87)
FH28CS	3 pole, single branch	8.06 (204.72)	
FH28CD	3 pole, double branch	11.88 (301.75)	

SECTION 201.11

MIL-STD-1362A
26 September 1979

SECTION 201.12

FUSEHOLDERS, STYLE FH29, LOCKING AND EJECTOR SPRING,
MIL-F-21346/4



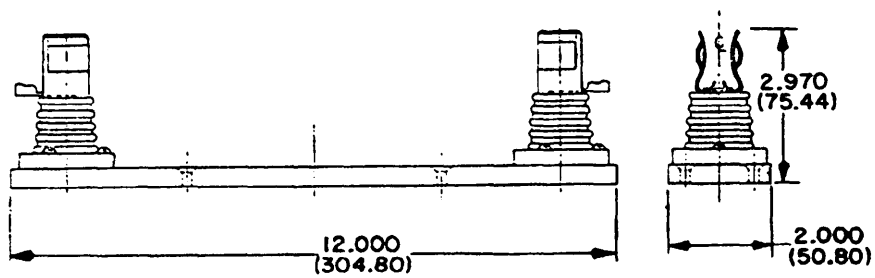
For ferrule type fuses
F16 and F62, MIL-F-15160/16 and /62

Part no.	Class	Dim	
		A	B
FH29AM	1 pole, main line	5.00 (127.00)	1.88 (47.75)
FH29BM	2 pole, main line	5.00 (127.00)	3.62 (91.95)
FH29BS	2 pole, single branch	6.75 (171.45)	
FH29BD	2 pole, double branch	10.62 (269.75)	
FH29CM	3 pole, main line	5.00 (127.00)	5.31 (134.87)
FH29CS	3 pole, single branch	8.06 (204.72)	
FH29CD	3 pole, double branch	11.88 (301.75)	

MIL-STD-1360A
26 September 1979

SECTION 201.13

**FUSEHOLDERS, STYLE FH33AM, WIRE LUG TERMINALS,
MIL-F-21346/5**

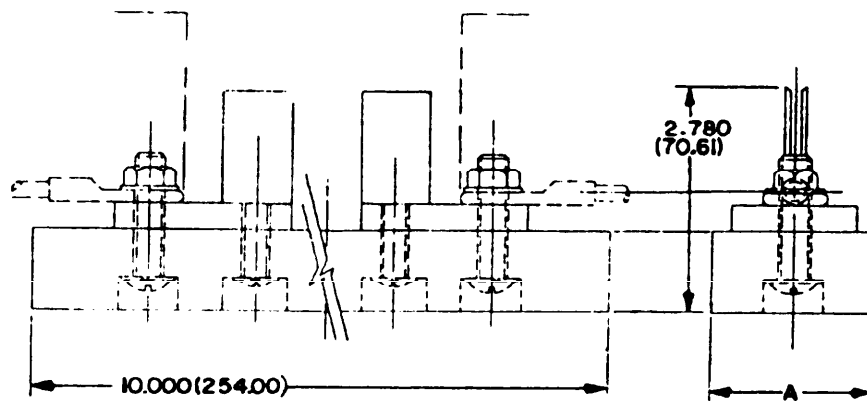


**For ferrule type fuses
F30, MIL-F-15160/30**

MIL-STD-1360A
26 September 1979

SECTION 201.14

FUSEHOLDERS, STYLE FH40, FRONT CONNECTED,
MIL-F-21346/6



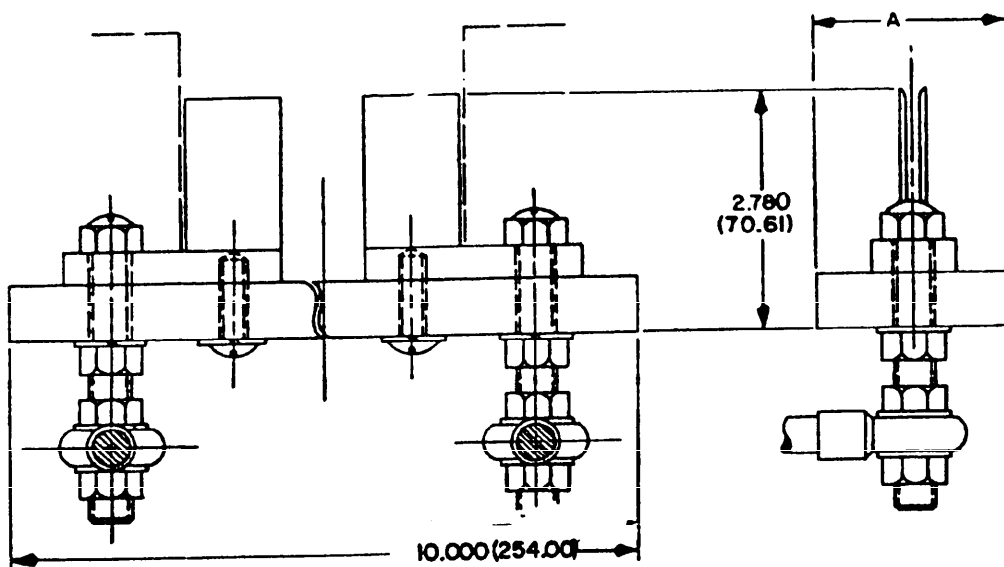
For blade type fuses
F19 and 63, MIL-F-15160/19 and /63

Part no.	Class	Dim
		A
FH40AM	1 pole, main line	2.00 (50.80)
FH40BM	2 pole, main line	5.00 (127.00)
FH40CM	3 pole, main line	7.00
FH40DM	3 pole, main line	(177.80)
FH40EM	4 pole, main line	10.00
FH40FM	4 pole, main line	(254.00)

MIL-STD-1260A
26 September 1979

SECTION 201.15

FUSEHOLDERS, STYLE FH41, BACK CONNECTED,
MIL-F-21346/6

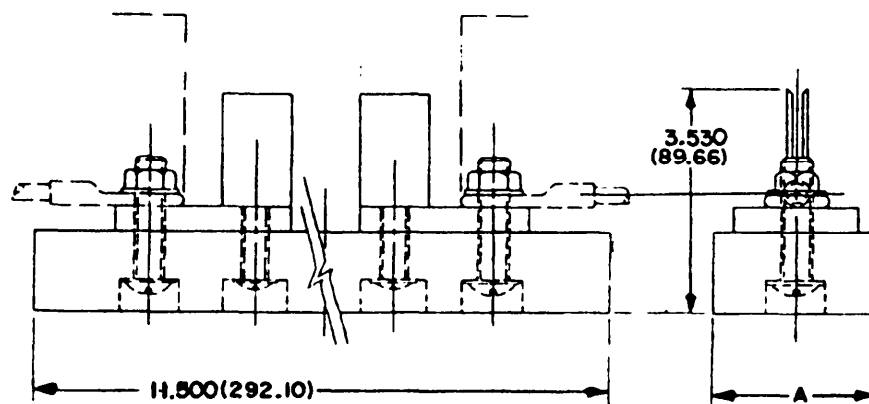


For blade type fuses
F19 and F63, MIL-F-15160/19 and /63

Part no.	Class	Dim
		A
FH41AM	1 pole, main line	2.00 (50.80)
FH41BM	2 pole, main line	5.00 (127.00)
FH41CM	3 pole, main line	7.00 (177.80)
FH41DM	3 pole, main line	10.00 (254.00)
FH41EM	4 pole, main line	
FH41FM	4 pole, main line	

MIL-STD-1360A
26 September 1979

SECTION 201.16
FUSEHOLDERS, STYLE FH42, FRONT CONNECTED,
MIL-F-21346/6



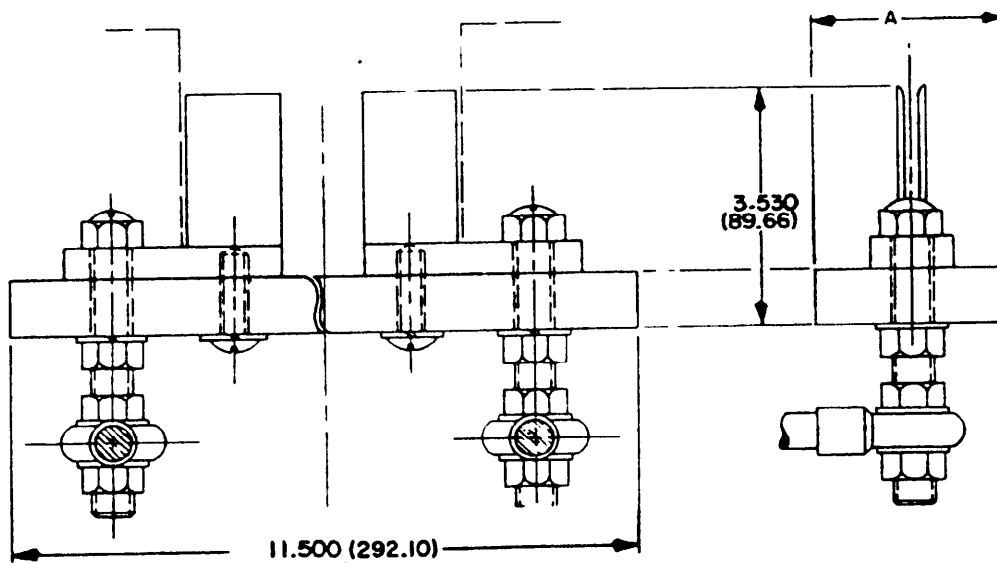
For blade type fuses
F20 and F64, MIL-F-15160/20 and /64

Part no.	Class	Dim
		A
FH42AM	1 pole, main line	2.50 (63.50)
FH42BM	2 pole, main line	6.00 (152.40)
FH42CM	3 pole, main line	9.75
FH42DM	3 pole, main line	(247.65)
FH42EM	4 pole, main line	13.00
FH42FM	4 pole, main line	(330.20)

SECTION 201.16

MIL-STD-1360A
26 September 1979

SECTION 201.17

FUSEHOLDERS, STYLE FH43, BACK CONNECTED,
MIL-F-21346/6

For blade type fuses
F20 and F64, MIL-F-15160/20 and /64

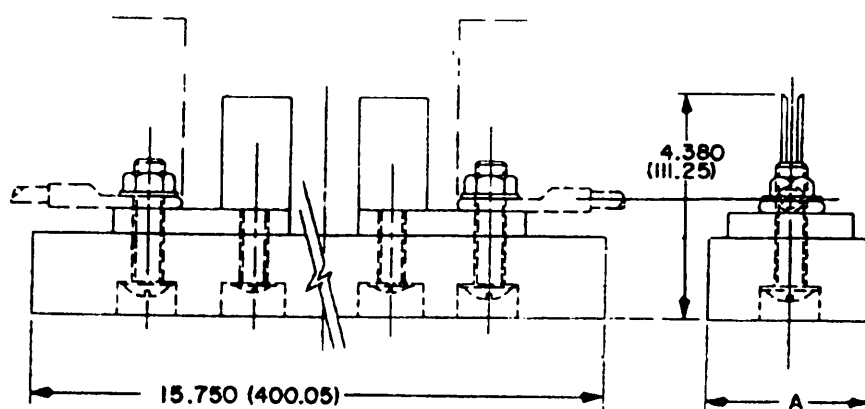
Part no.	Class	Dim
		A
FH43AM	1 pole, main line	2.50 (63.50)
FH43BM	2 pole, main line	6.00 (152.40)
FH43CM	3 pole, main line	9.75 (247.65)
FH43DM	3 pole, main line	13.00 (330.20)
FH43EM	4 pole, main line	13.00 (330.20)
FH43FM	4 pole, main line	13.00 (330.20)

SECTION 201.17

MIL-STD-1360A
26 September 1979

SECTION 201.18

FUSEHOLDERS, STYLE FH44, FRONT CONNECTED,
MIL-F-21346/6

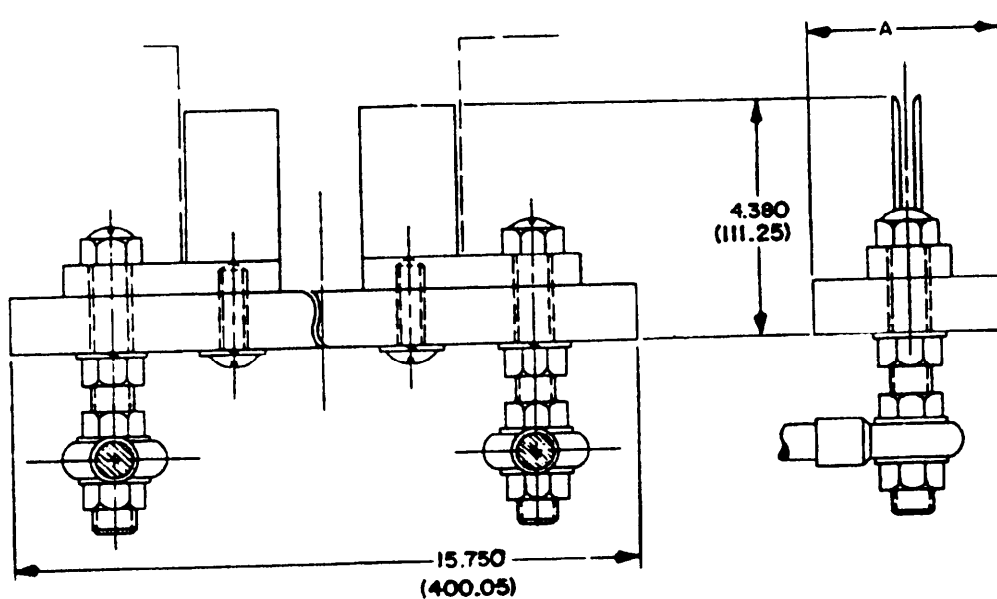


For blade type fuses F21 and
F65, MIL-F-15160/21 and /65

Part no.	Class	Dim A
FH44AM	1 pole, main line	3.00 (76.20)
FH44BM	2 pole, main line	7.25 (184.15)
FH44CM	3 pole, main line	12.00
FH44DM	3 pole, main line	(304.80)
FH44EM	4 pole, main line	16.00
FH44FM	4 pole, main line	(406.40)

MIL-STD-1360A
26 September 1979

SECTION 201.19

FUSEHOLDERS, STYLE FH45, BACK CONNECTED,
MIL-F-21346/6

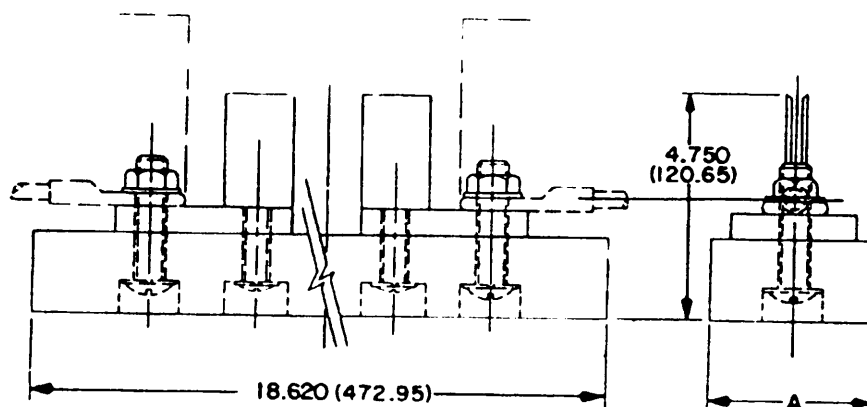
For blade type fuses F21 and
F65, MIL-F-15160/21 and /65

Part no.	Class	Dim A
FH45AM	1 pole, main line	3.00 (76.20)
FH45BM	2 pole, main line	7.25 (184.15)
FH45CM	3 pole, main line	12.00 (304.80)
FH45DM	3 pole, main line	16.00 (406.40)
FH45EM	4 pole, main line	16.00 (406.40)
FH45FM	4 pole, main line	16.00 (406.40)

MIL-STD-1360A
26 September 1979

SECTION 201.20

FUSEHOLDERS, STYLE FH46, FRONT CONNECTED,
MIL-F-21346/6



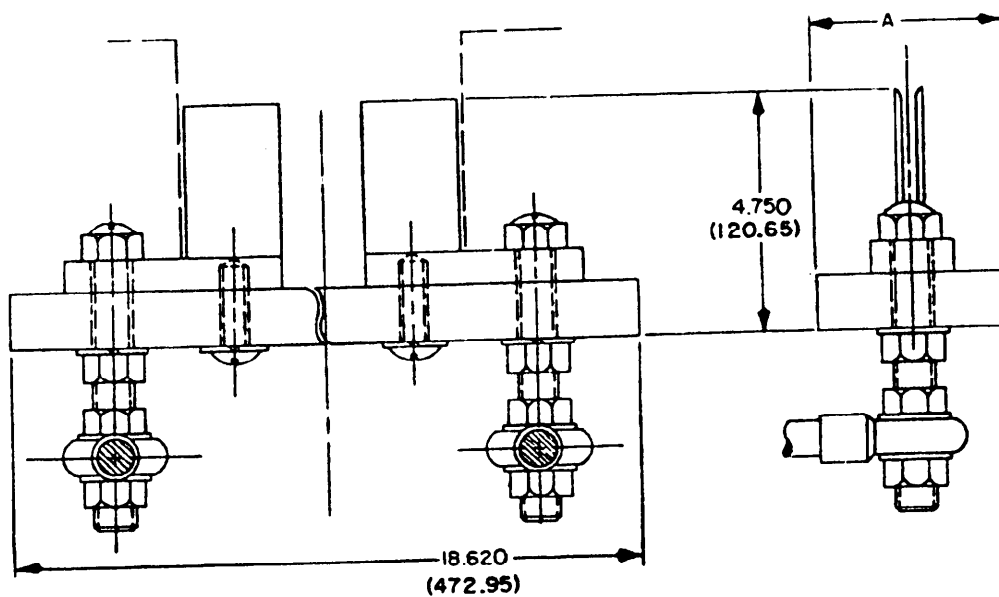
For blade type fuses F22 and
F66, MIL-F-15160/22 and /66

Part no.	Class	Dim A
FH46AM	1 pole, main line	3.00 (76.20)
FH46BM	2 pole, main line	8.00 (203.20)
FH46CM	3 pole, main line	12.50 (317.50)
FH46DM	3 pole, main line	18.00 (457.20)
FH46EM	4 pole, main line	18.00 (457.20)
FH46FM	4 pole main line	18.00 (457.20)

MIL-STD-1360A
26 September 1979

SECTION 201.21

FUSEHOLDERS, STYLE FH47, BACK CONNECTED,
MIL-F-21346/6



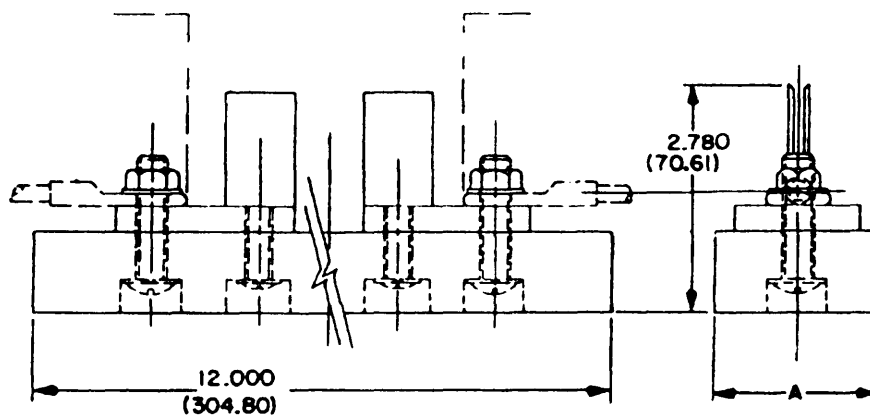
For blade type fuses F22 and
F66, MIL-F-15160/22 and /66

Part no.	Class	Dim A
FH47AM	1 pole, main line	3.00 (76.20)
FH47BM	2 pole, main line	8.00 (203.20)
FH47CM	3 pole, main line	12.50 (317.50)
FH47DM	3 pole, main line	18.00 (457.20)
FH47EM	4 pole, main line	
FH47FM	4 pole, main line	

MIL-STD-1360A
26 September 1979

SECTION 201.22

FUSEHOLDERS, STYLE FH50, FRONT CONNECTED
MIL-F-21346/6



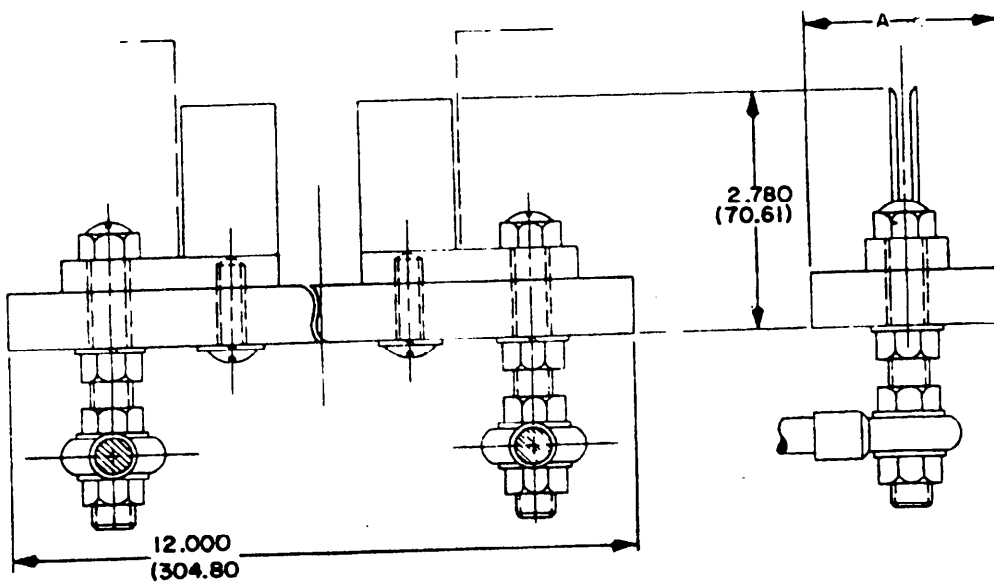
For blade type fuses
Underwriter's Laboratories

Part no.	Class	Dim A
FH50AM	1 pole, main line	2.00 (50.80)
FH50BM	2 pole, main line	5.00 (127.00)
FH50CM	3 pole, main line	7.00
FH50DM	3 pole, main line	(177.80)
FH50EM	4 pole, main line	10.00
FH50FM	4 pole, main line	(254.00)

MIL-STD-1360A
26 September 1979

SECTION 201.23

FUSEHOLDERS, STYLE FH51, BACK CONNECTED,
MIL-F-21346/6



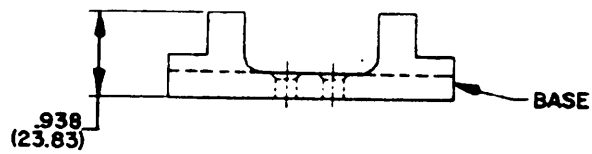
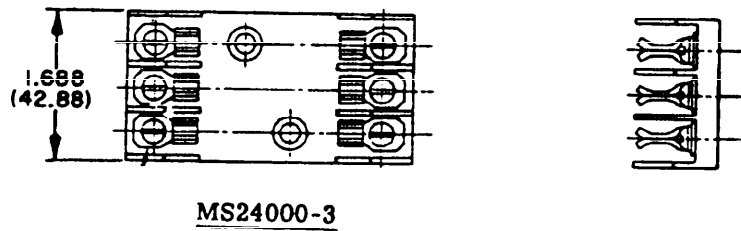
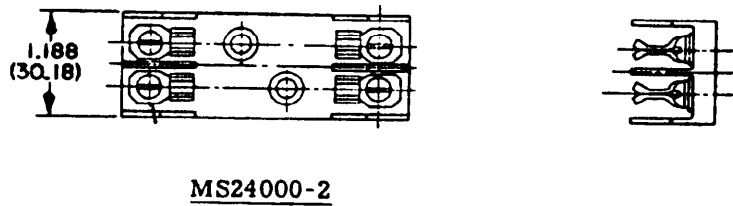
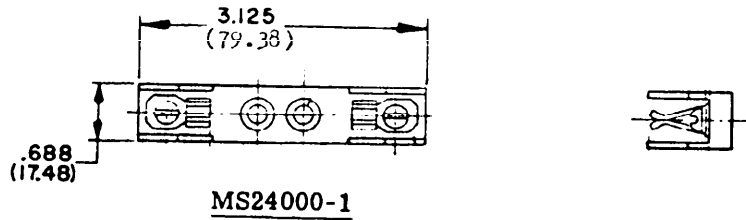
For blade type fuses
Underwriter's Laboratories

Part no.	Class	Dim A
FH51AM	1 pole, main line	2.00 (50.80)
FH51BM	2 pole, main line	5.00 (127.00)
FH51CM	3 pole, main line	7.00 (177.80)
FH51DM	3 pole, main line	10.00 (254.00)
FH51EM	4 pole, main line	
FH51FM	4 pole, main line	

MIL-STD-1360A
26 September 1979

SECTION 201.24

FUSEHOLDER, AIRCRAFT LIMITER
MS24000
MIL-F-5373



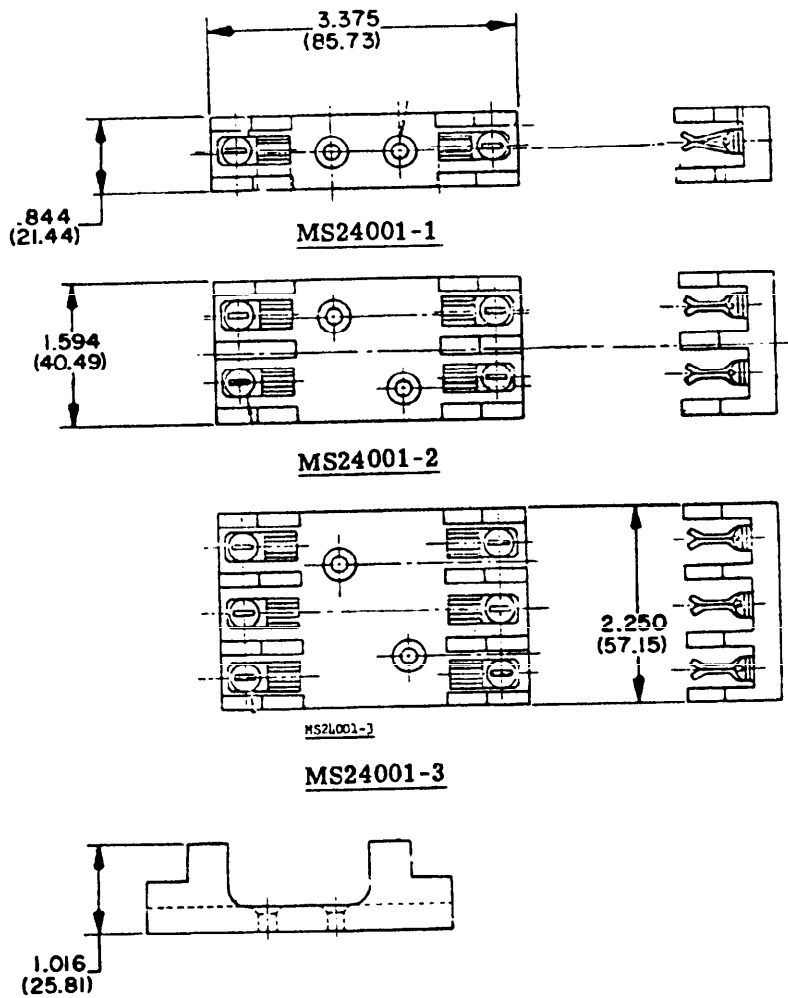
For aircraft current limiter fuse
(0 through 30 amperes) MS28937, MIL-F-5372

MS part No.	Type
MS24000-1	1 pole
MS24000-2	2 pole
MS24000-3	3 pole

MIL-STD-1300A
26 September 1979

SECTION 201.25

FUSEHOLDER, AIRCRAFT LIMITER
MS24001
MIL-F-5373



For aircraft current limiter fuse
(35 through 60 amperes) MS28937, MIL-F-5372

MS Part No.	Type
MS24001-1	1 pole
MS24001-2	2 pole
MS24001-3	3 pole

00000000

MIL-STD-1360A
26 September 1979

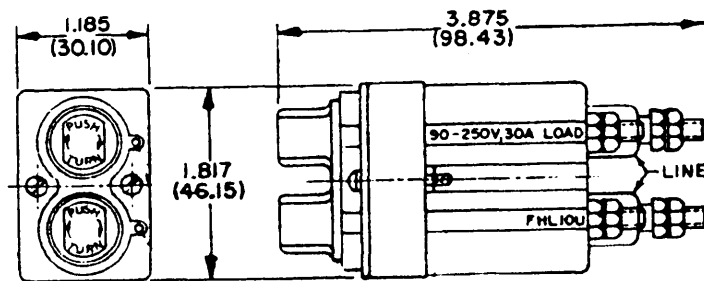
SECTION 202
FUSEHOLDERS, EXTRACTOR POST TYPE,

MIL-F-19207

MIL-STD-1360A
26 September 1979

SECTION 202.1

FUSEHOLDERS, STYLE FHL10U, TWO POLE, INDICATING,
MIL-F-19207/1

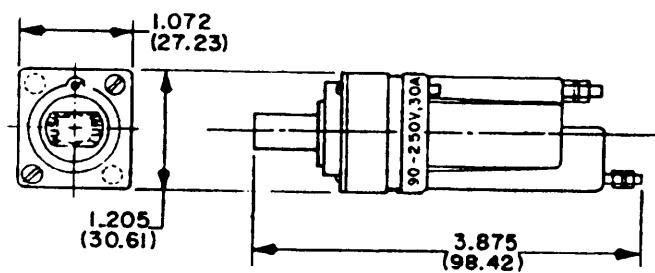


For ferrule type fuses
F02 and F03, MIL-F-15160/2 and /3

MIL-STD-1360A
26 September 1979

SECTION 202.2

FUSEHOLDERS, STYLE FHL11U, SINGLE POLE INDICATING,
MIL-F-19207/2

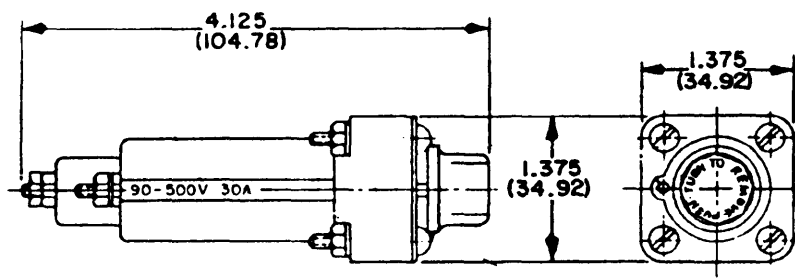


For ferrule type fuses
F02 and F03, MIL-F-15160/2 and /3

MIL-STD-1360A
26 September 1979

SECTION 202.3

FUSEHOLDERS, STYLE FHL12U, SINGLE POLE INDICATING,
MIL-19207/3



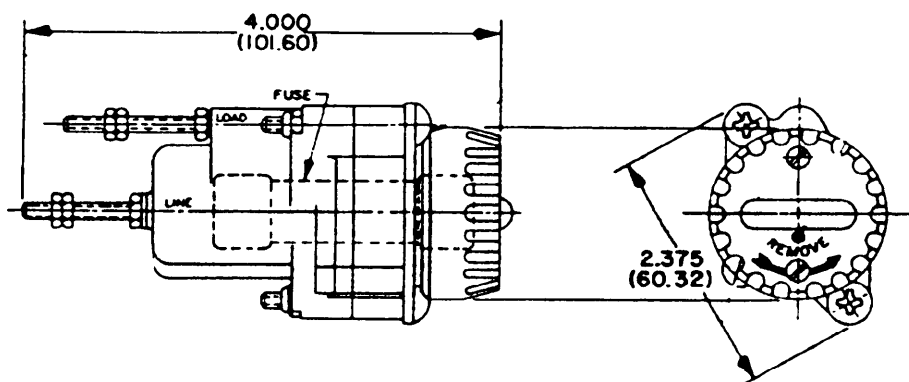
For ferrule type fuses
F09 and F60, MIL-F-15160/9 and /60

SECTION 202.3

MIL-STD-1360A
26 September 1979

SECTION 202.4

FUSEHOLDERS, STYLE FHL13G, SINGLE POLE INDICATING,
MIL-F-19207/4



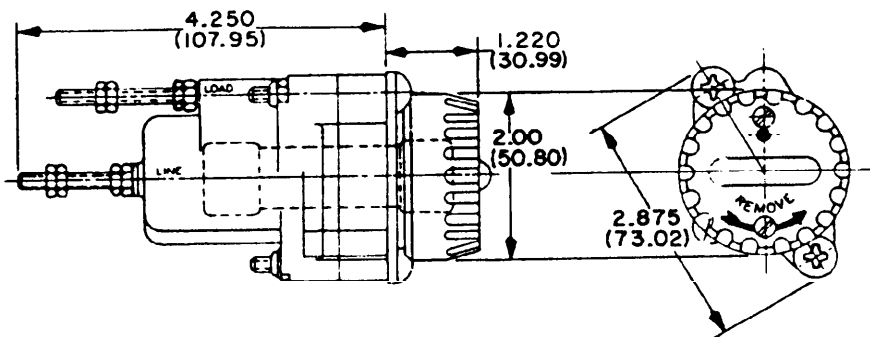
For ferrule type fuses
F15 and F61, MIL-F-15160/15 and /61

SECTION 202.4

MIL-STD-1360A
26 September 1979

SECTION 202.5

FUSEHOLDERS, STYLE FHL14G, SINGLE POLE INDICATING,
MIL-F-19207/5

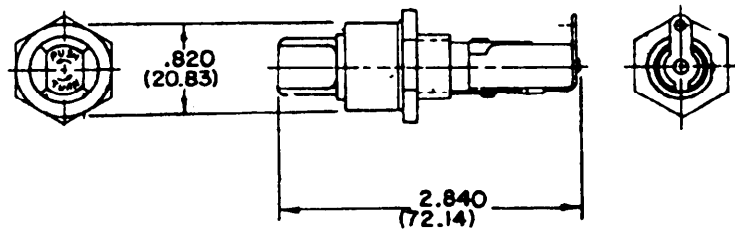


For ferrule type fuses
F16 and F62, MIL-F-15160/16 and /62

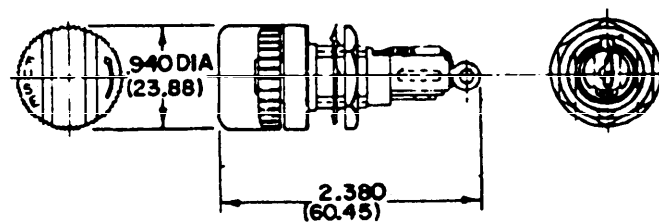
MIL-STD-1360A
26 September 1979

SECTION 202.6

FUSEHOLDERS, STYLE FHL17G, SINGLE POLE INDICATING,
MIL-F-19207/8



Type FHL17G1.



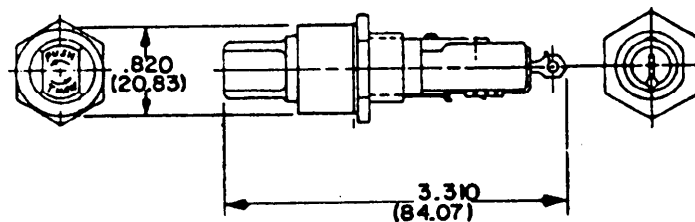
Type FHL17G2.

For ferrule type fuses (90 to 250 volts)
F02 and F03, MIL-F-15160/2 and /3

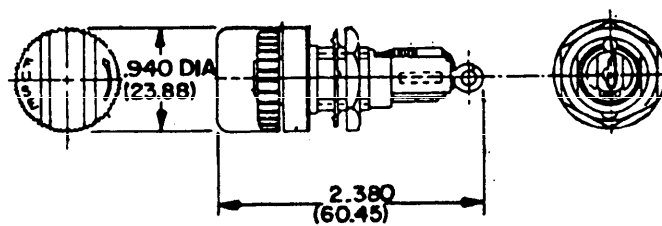
MIL-STD-1360A
26 September 1979

SECTION 202.7

FUSEHOLDERS, STYLE FHL18G, SINGLE POLE INDICATING,
MIL-F-19207/9



Type FHL18G1.



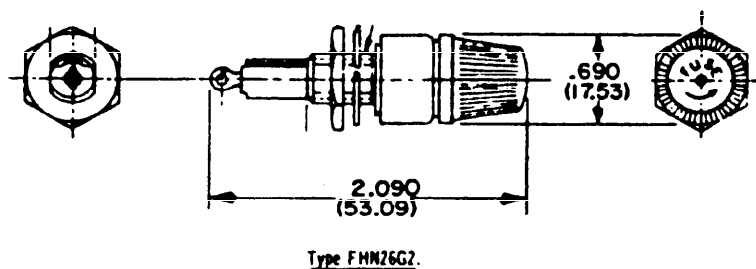
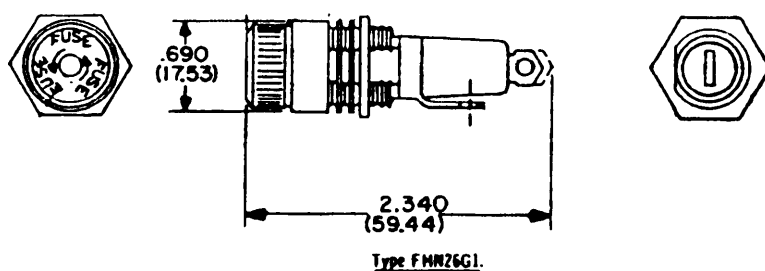
Type FHL18G2.

For ferrule type fuses (2.5 to 90 volts)
F02 and F03, MIL-F-15160/2 and /3

MIL-STD-1360A
26 September 1979

SECTION 202. 8

FUSEHOLDERS, STYLE FHN26G, SINGLE POLE NONINDICATING,
MIL-F-19207/16

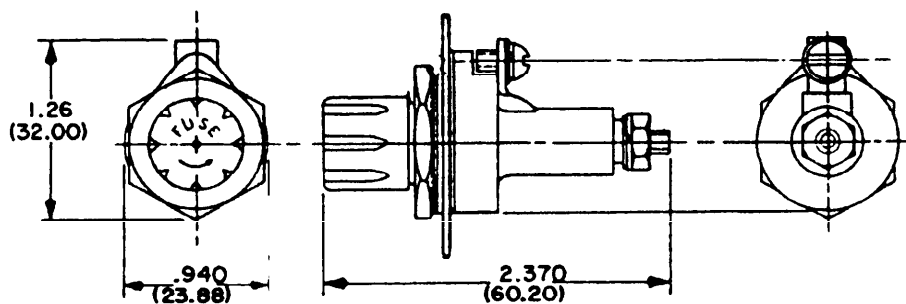


For ferrule type fuses
F02 and F03, MIL-F-15160/2 and /3

MIL-STD-1360A
26 September 1979

SECTION 202.9

FUSEHOLDERS, STYLE FHN28WB, SINGLE POLE NONINDICATING,
MIL-F-19207/17

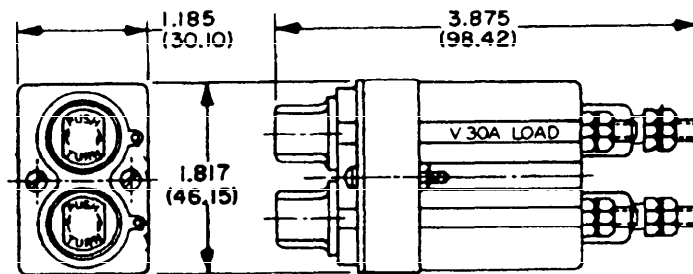


For ferrule type fuses
F02 and F03, MIL-F-15160/2 and /3

MIL-STD-1360A
26 September 1979

SECTION 202.10

FUSEHOLDERS, STYLE FHL29G, TWO POLE INDICATING,
MIL-F-19207/18

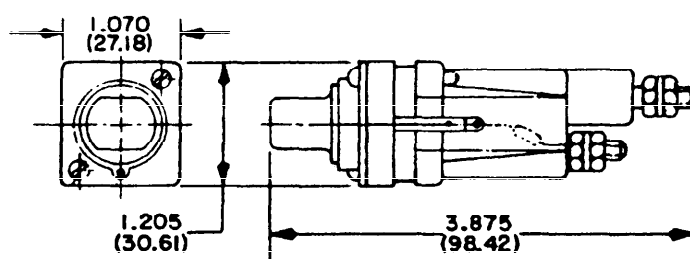


For ferrule type fuses (12 to 90 volts)
F02 and F03, MIL-F-15160/2 and /3

MIL-STD-1360A
26 September 1979

SECTION 202.11

**FUSEHOLDERS, STYLE FHL30G, SINGLE POLE INDICATING,
MIL-F-19207/19**

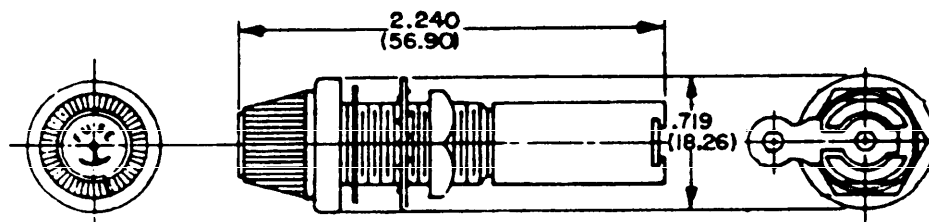
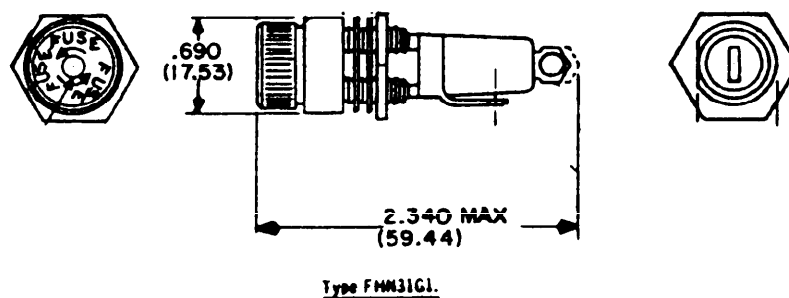


For ferrule type fuses (12 to 90 volts)
F02 and F03, MIL-F-15160/2 and /3

MIL-STD-1369A
26 September 1979

SECTION 202. 12

FUSEHOLDERS, STYLE FHN31G, SINGLE POLE NONINDICATING,
MIL-F-19207/20



Type FHN31G2

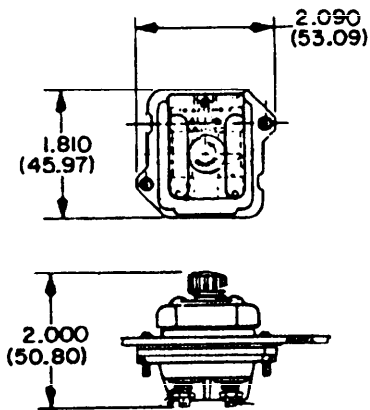
For ferrule type fuses
F01, MIL-F-15160/1

SECTION 202. 12

MIL-STD-1360A
26 September 1979

SECTION 202.13

**FUSEHOLDERS, STYLE FHL33W, TWO POLE INDICATING,
MIL-F-19207/22**



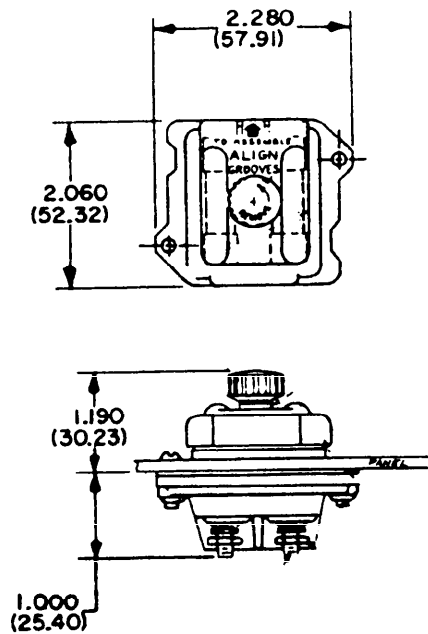
For ferrule type fuses
F02 and F03, MIL-F-15160/2 and /3

SECTION 202.13

MIL-STD-1360A
26 September 1979

SECTION 202.14

**FUSEHOLDERS, STYLE FHL34W, TWO POLE INDICATING,
MIL-F-19207/23**

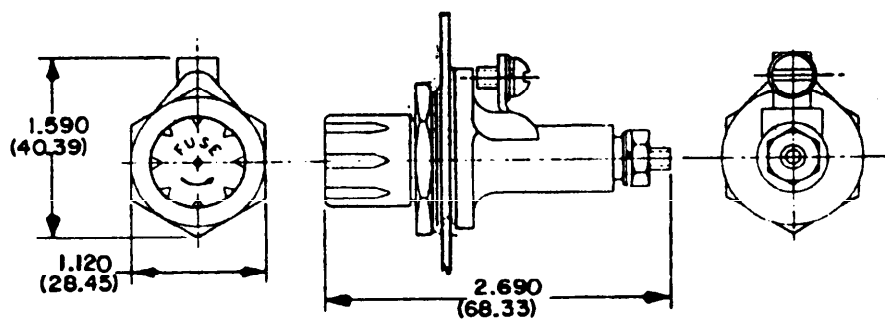


**For ferrule type fuses
F09 and F60, MIL-F-15160/9 and /60**

MIL-STD-1360A
26 September 1979

SECTION 202.15

FUSEHOLDERS, STYLE FHN41WB, SINGLE POLE NONINDICATING,
MIL-F-19207/25

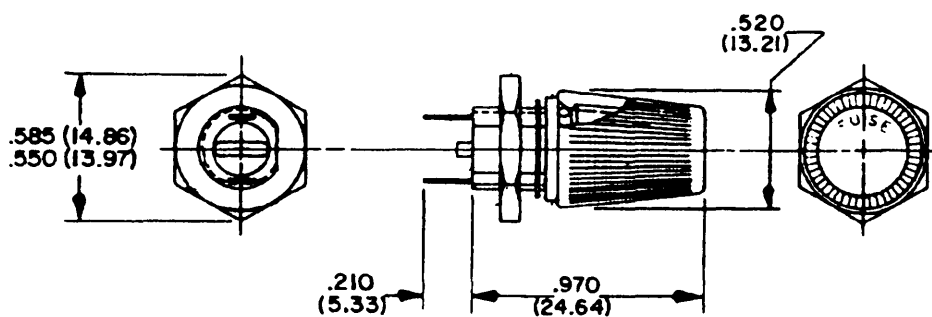


For ferrule type fuses
F09 and F60, MIL-F-15160/9 and /60

MIL-STD-1360A
26 September 1979

SECTION 202.16

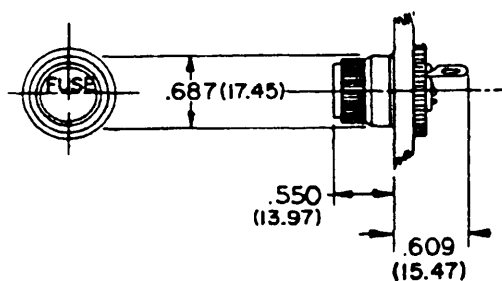
FUSEHOLDERS, STYLE FHN42W, SINGLE POLE NONINDICATING,
MIL-F-19207/26



For pin type fuses (125 volt max)
FM01 and FM02, MIL-F-23419/1 and /2.

MIL-STD-1360A
26 September 1979

SECTION 202. 17
FUSEHOLDERS, STYLE FHL44G, SINGLE POLE INDICATING,
MIL-F-19207/28
(INCANDESCENT)



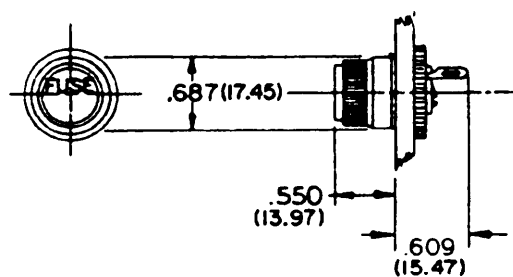
For pin type fuses (12 through 90 volts)
FM02, MIL-F-23419/2

SECTION 202. 17

MIL-STD-1360A
26 September 1979

SECTION 202.18

**FUSEHOLDERS, STYLE FHI45G, SINGLE POLE INDICATING,
MIL-F-19207/29
(NEON)**



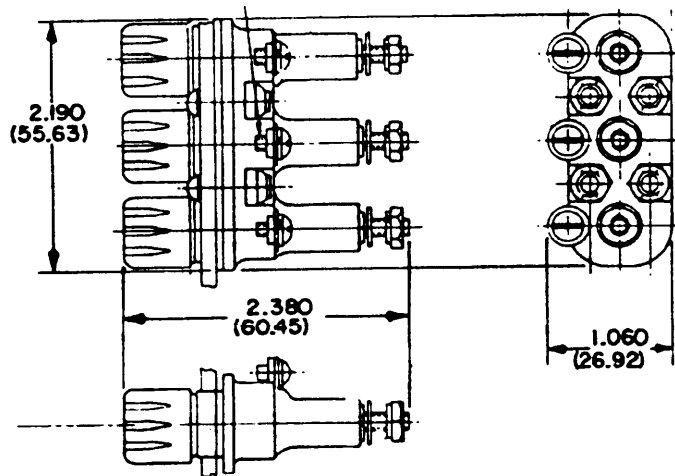
**For pin type fuses (90 through 125 volts)
FM02, MIL-F-23419/2**

SECTION 202.18

MIL-STD-1360A
26 September 1979

SECTION 202.19

FUSEHOLDERS, STYLE FHN46WB, THREE POLE NONINDICATING,
MIL-F-19207/30

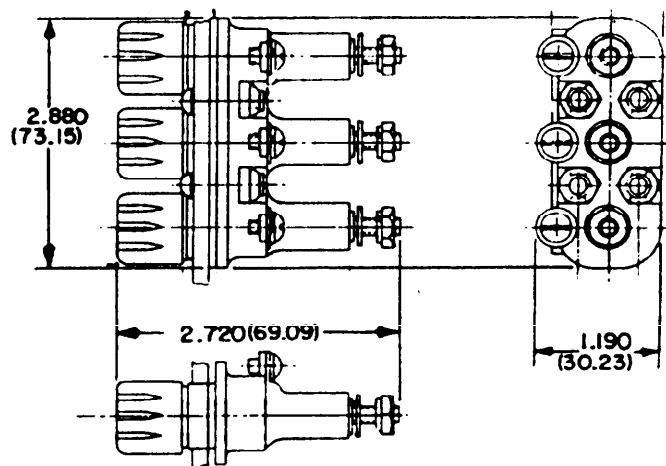


For ferrule type fuses
F02 and F03, MIL-F-15160/2 and /3

MIL-STD-1360A
26 September 1979

SECTION 202.20

FUSEHOLDERS, STYLE FHN47WB, THREE POLE NONINDICATING,
MIL-F-19207/31



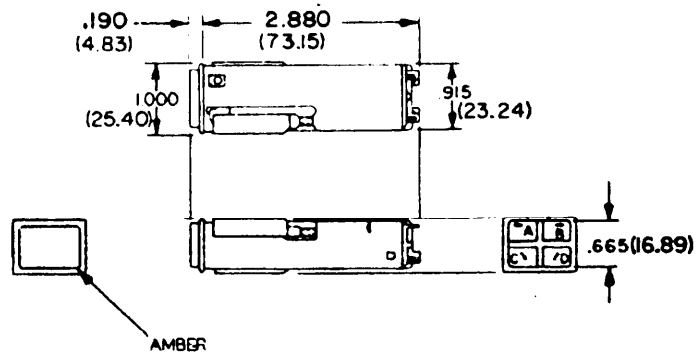
For ferrule type fuses
F09 and F60, MIL-F-15160/9 and /60

SECTION 202.20

MIL-STD-1360A
26 September 1979

SECTION 202.21

FUSEHOLDERS, STYLE FHL48U, SINGLE POLE INDICATING,
MIL-F-19207/32
(INCANDESCENT)

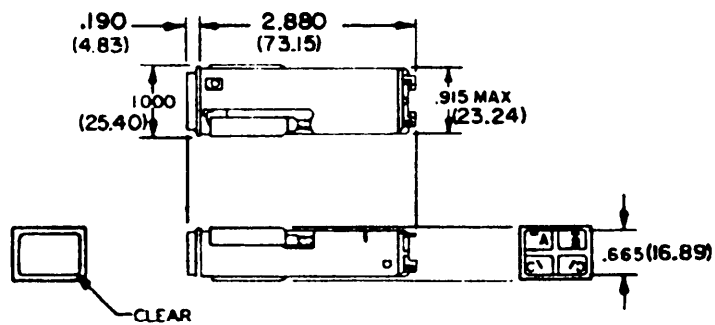


For ferrule type fuses (12 through 90 volts)
F02 and F03, MIL-F-15160/2 and /3

MIL-STD-1360A
26 September 1979

SECTION 202.22

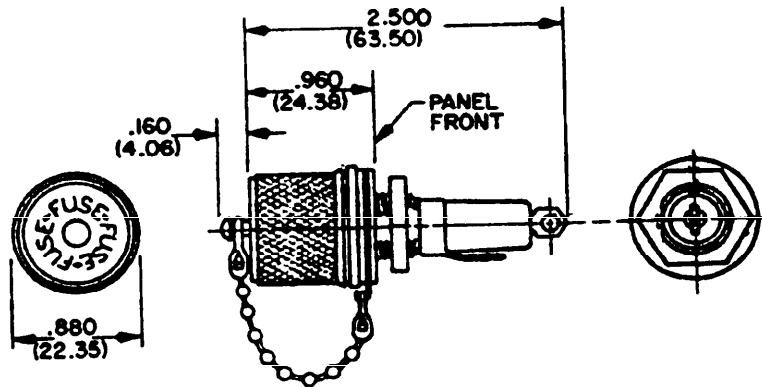
**FUSEHOLDERS, STYLE FHL49U, SINGLE POLE INDICATING,
MIL-F-19207/33
(NEON)**



For ferrule type fuses (90 through 125 volts)
F02 and F03, MIL-F-15160/2 and /3

MIL-STD-1360A
26 September 1979

SECTION 202.23
FUSEHOLDERS, STYLE FHN55W, R.F. SHIELDED,
MIL-F-19207/36



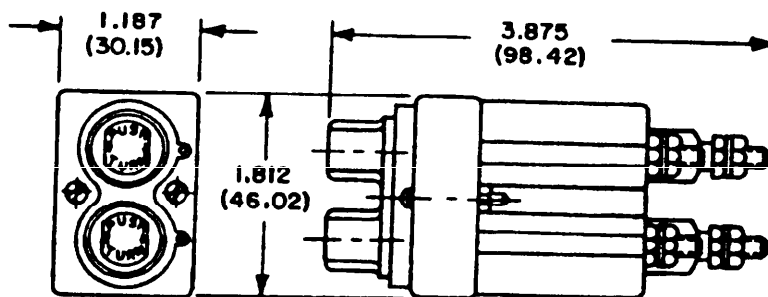
For ferrule type fuses
F02 and F03, MIL-F-15160/2 and /3

SECTION 202.23

MIL-STD-1360A
26 September 1979

SECTION 202.24

FUSEHOLDER, STYLE FHL57G, EXTRACTOR POST TYPE, BLOWN FUSE, INDICATING
MIL-F-19207/38

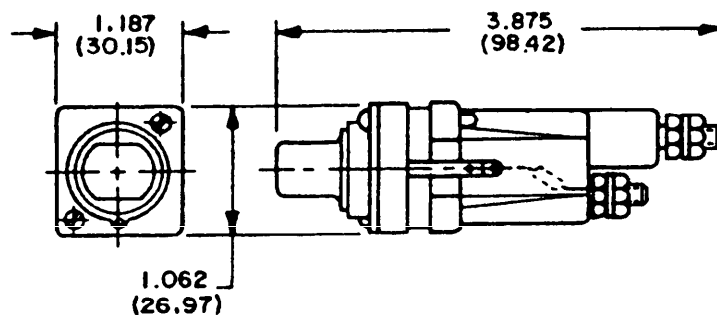


For ferrule type fuses
F77, MIL-F-15160/77

MIL-STD-1360A
26 September 1979

SECTION 202.25

FUSEHOLDERS, STYLE FHL58G, EXTRACTOR POST TYPE, BLOWN FUSE, INDICATING
MIL-F-19207/39



For ferrule type fuses
F77, MIL-F-15160/77

MIL-STD-1360A
26 September 1979

SECTION 300

ASSOCIATED HARDWARE

301 FUSE CLIPS
302 FUSE RETAINERS

—

—

—

—

—

MIL-STD-1360A
26 September 1979

SECTION 301

**FUSE CLIPS
MIL-F-21346/1
MIL-F-21346/2**

BT 1000001

1

2

3

4

MIL-STD-1360A
26 September 1979

SECTION 301.1

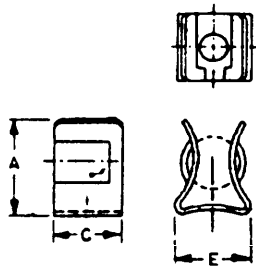
FUSE, CLIP, ELECTRICAL,
FERRULE TYPE, (PLAIN)
MIL-F-21346/1

TABLE I.

Part no.	Nom fuse size dia	Current rating	A	C	E	For use with fuse style
FC21AN	.250 (6.35)	30A	.50 (12.70)	.33 (8.38)	.34 (8.64)	F01, F02, F03
FC21CN	.406 (10.31)		.80 (20.32)	.46 (11.68)	.51 (12.95)	F09, F10, F27 F28, F60
FC21DN	.562 (14.27)		.96 (24.38)	.61 (15.49)	.66 (16.76)	F15, F61
FC21EN	.812 (20.62)	60A	1.31 (33.27)	.76 (19.30)	.90 (22.86)	F16, F29, F30 F62

Beryllium copper

TABLE II.

Part no.	Nom fuse size dia	Current rating	A	C	E	For use with fuse style
FC21CF	.406 (10.31)	30A	.80 (20.32)	.46 (11.68)	.51 (12.95)	F09, F10, F27 F28, F60
FC21DF	.562 (14.27)		.96 (24.38)	.61 (15.49)	.66 (16.76)	F15, F61
FC21EF	.812 (20.62)	60A	1.31 (33.27)	.76 (19.30)	.90 (22.86)	F16, F29, F30 F62

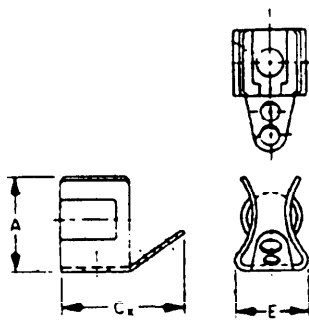
Copper clad steel

SECTION 301.1

MIL-STD-1360A
26 September 1979

SECTION 301.2

FUSE, CLIP, ELECTRICAL,
FERRULE TYPE, WITH SOLDER TERMINAL
MIL-F-21346/1



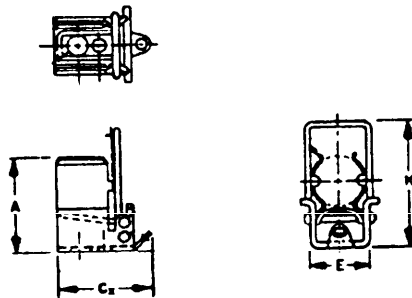
Part no.	Nom fuse size dia	Current rating	A	C _x	E	For use with fuse styles
FC22AN	.250 (.635)	30A	.50 (12.70)	.62 (15.75)	.34 (8.64)	F01, F02, F03
FC22CN	.406 (10.31)		.80 (20.32)	.47 (11.94)	.36 (9.14)	F09, F10, F27 F28, F60
FC22DN	.562 (14.27)		.96 (24.38)	.54 (13.72)	.52 (13.21)	F15, F61
FC22EN	.812 (20.62)	60A	1.31 (33.27)	.76 (19.30)	.61 (15.49)	F16, F29, F30 F62

SECTION 301.2

MIL-STD-1360A
26 September 1979

SECTION 301.3

FUSE, CLIP, ELECTRICAL,
FERRULE TYPE, WITH SOLDER LUG TERMINALS AND EJECTOR
MIL-F-21346/1

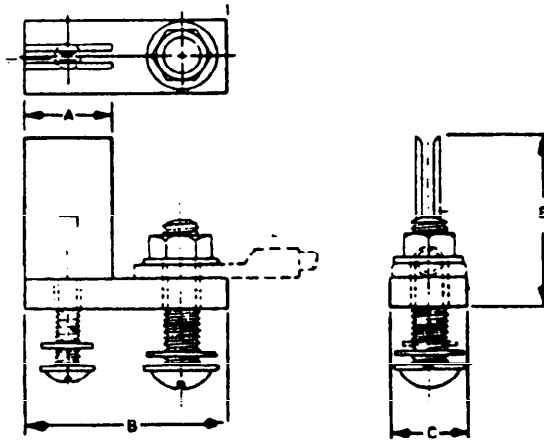


Part no.	Nom fuse size dia	Current rating	A	C _x	E	K	For use with fuse
			FC25AN	.562 (14.27)	30A	1.03 (26.16)	
FC25BN	.812 (20.62)	60A	1.31 (33.27)	1.05 (26.67)	.75 (19.05)	1.94 (49.28)	F16, F29, F30, F62

MIL-STD-1360A
26 September 1979

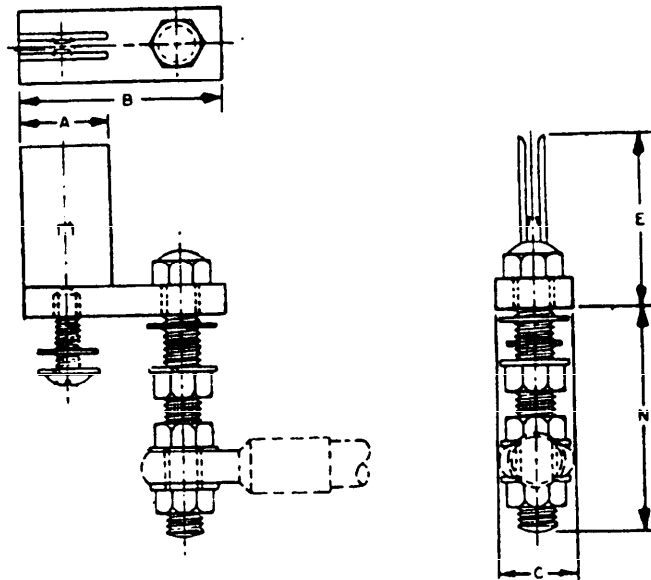
SECTION 301.4

FUSE, CLIP, ELECTRICAL,
BLADE TYPE, FRONT TERMINALS,
MIL-F-21346/2



Part no.	Current rating	A	B	C	E	Used with fuse style
FC40A	100A	.88 (22.35)	2.00 (50.80)	.75 (19.05)	1.78 (45.21)	F19, F63
FC40B	200A	1.25 (31.75)	2.62 (66.55)	1.00 (25.40)	2.53 (64.26)	F20, F64
FC40C	400A	1.75 (44.45)	3.50 (88.90)	1.25 (31.75)	3.38 (85.85)	F21, F65
FC40D	600A	2.12 (53.85)	4.12 (104.65)	1.50 (38.10)	3.75 (95.25)	F22, F66

SECTION 301.4

MIL-STD-1360A
26 September 1979SECTION 301.5
FUSE, CLIP, ELECTRICAL,
BLADE TYPE, REAR TERMINALS
MIL-F-21346/2

Part no.	Current rating	A	B	C	E	N	Used with fuse style
FC41A	100A	.88 (22.35)	2.00 (50.80)	.75 (19.05)	1.78 (45.21)	2.25 (57.15)	F19, F63
FC41B	200A	1.25 (31.75)	2.62 (66.55)	1.00 (25.40)	2.53 (64.26)	3.00 (76.20)	F20, F64
FC41C	400A	1.75 (44.45)	3.50 (88.90)	1.25 (31.75)	3.38 (85.85)	3.50 (88.90)	F21, F65
FC41D	600A	2.12 (53.85)	4.12 (104.65)	1.50 (38.10)	3.75 (95.25)	4.50 (114.30)	F22, F66

MIL-STD-1360A
26 September 1979

SECTION 302
FUSE RETAINERS
MIL-R-22513

1

2

3

4

5

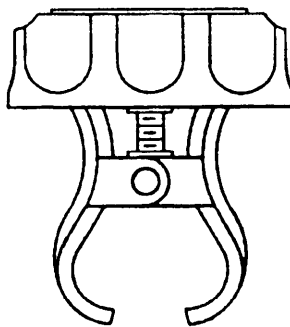
6

7

8

MIL-STD-1360A
26 September 1979

SECTION 302.1
RETAINER, FUSE, TYPE II, CLASS F
MIL-F-22513/1



Type II, Class F

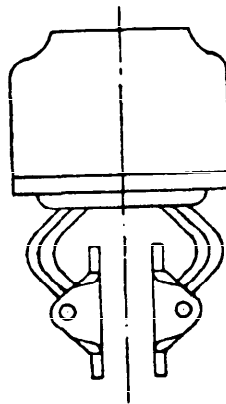
Part number	Electrical rating		Jaw openings (inches) ^{1/}	
	Amps	Volts	Close at least to	Open at least to
M22513/1-001	30	250	.375 (9.53)	.594(15.09)
M22513/1-002	60	250	.562 (14.27)	.938(23.83)
M22513/1-003	30	600	.562 (14.27)	.938(23.83)
M22513/1-004	60	600	.750 (19.05)	1.219(30.96)

^{1/} Sec MIL-F-21346 for applicable fuse clips.

MIL-STD-1360A
26 September 1979

SECTION 302.2

RETAINER, FUSE, TYPE II, CLASS K
MIL-R-22513/2



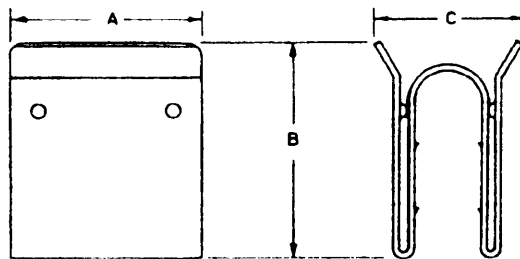
Part number	Electrical rating		For use with fuse clip type ^{1/}
	Amps	Volts	
M22513/2-001	100	600	FC40A FC41A
M22513/2-002	200	600	FC40B FC41B
M22513/2-003	400	600	FC40C FC41C
M22513/2-004	600	600	FC40D FC41D

^{1/}See MIL-F-21346

MIL-STD-1360A
26 September 1979

SECTION 302.3

RETAINER, FUSE, TYPE III
MIL-R-22513/3



Part number	Ampere rating	Dimensions			For use with fuse clip type 1/
		A	B	C	
M22513/3-001	100	.750 (19.05)	1.313 (33.35)	.813 (20.65)	FC40A, FC41A
M22513/3-002	200	1.125 (28.58)	1.750 (44.45)	.875 (22.22)	FC40B, FC41B
M22513/3-003	400	1.500 (38.10)	1.875 (47.63)	.938 (23.83)	FC40C, FC41C
M22513/3-004	600	1.750 (44.45)	2.063 (52.40)	1.250 (31.75)	FC40D, FC41D

1/ See MIL-F-21346

STANDARDIZATION DOCUMENT IMPROVEMENT PROPOSAL	
<p>INSTRUCTIONS: This form is provided to solicit beneficial comments which may improve this document and enhance its use. DoD contractors, government activities, manufacturers, vendors, or other prospective users of the document are invited to submit comments to the government. Fold on lines on reverse side, staple in corner, and send to preparing activity. Attach any pertinent data which may be of use in improving this document. If there are additional papers, attach to form and place both in an envelope addressed to preparing activity. A response will be provided to the submitter, when name and address is provided, within 30 days indicating that the 1426 was received and when any appropriate action on it will be completed.</p> <p>NOTE: This form shall not be used to submit requests for waivers, deviations or clarification of specification requirements on current contracts. Comments submitted on this form do not constitute or imply authorization to waive any portion of the referenced document(s) or to amend contractual requirements.</p>	
DOCUMENT IDENTIFIER (Number) AND TITLE	
MIL-STD-1360A	
NAME OF ORGANIZATION AND ADDRESS OF SUBMITTER	
<input type="checkbox"/> VENDOR <input type="checkbox"/> USER <input type="checkbox"/> MANUFACTURER	
1. <input type="checkbox"/> HAS ANY PART OF THE DOCUMENT CREATED PROBLEMS OR REQUIRED INTERPRETATION IN PROCUREMENT USE? <input type="checkbox"/> IS ANY PART OF IT TOO RIGID, RESTRICTIVE, LOOSE OR AMBIGUOUS? PLEASE EXPLAIN BELOW.	
A. GIVE PARAGRAPH NUMBER AND WORDING	
B. RECOMMENDED WORDING CHANGE	
C. REASON FOR RECOMMENDED CHANGE(S)	
2. REMARKS	
SUBMITTED BY (Printed or typed name and address — Optional)	TELEPHONE NO.
	DATE

FOLD

COMMANDER
NAVAL SEA SYSTEMS COMMAND (SEA 3112)
DEPARTMENT OF THE NAVY
WASHINGTON, DC 20362

OFFICIAL BUSINESS
PENALTY FOR PRIVATE USE \$300

POSTAGE AND FEES PAID
NAVY

DOD 316



COMMANDER
NAVAL SEA SYSTEMS COMMAND (SEA 3112)
DEPARTMENT OF THE NAVY
WASHINGTON, DC 20362

FOLD