

MILITARY STANDARD

UNIT LOAD

FOR UNDERWAY REPLENISHMENT

MK 87 MOD 0 OR MK 89 MOD 0

EOD CHARGES

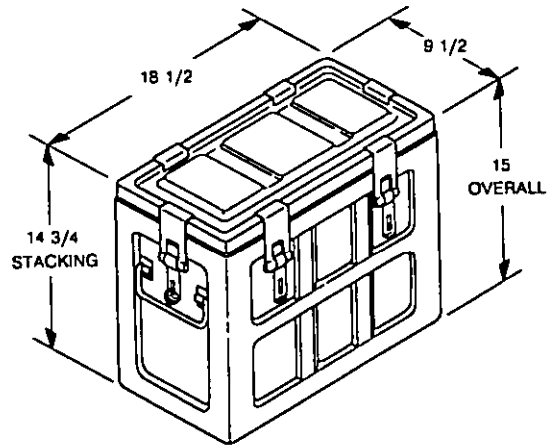
IN AMMUNITION BOX. MK 1 MOD 0

MIL-STD-1323-395
(NAVY)
26 AUGUST 1993

UNIT LOAD DATA

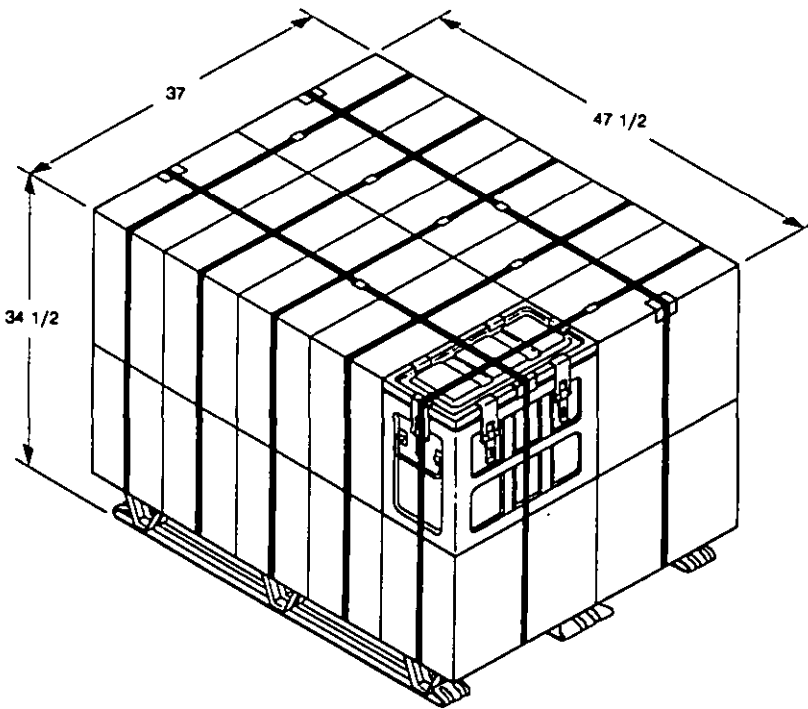
	MK 87	MK 89
NUMBER OF CHARGES PER CONTAINER	5	5
NUMBER OF CONTAINERS PER UNIT LOAD	20	20
GROSS WEIGHT OF ONE CONTAINER (LBS)	34	34
GROSS WEIGHT OF STEEL PALLET (LBS)	72	72
WEIGHT OF STEEL STRAPPING (LBS)	8	8
GROSS WEIGHT OF UNIT LOAD (LBS)	760 Δ	760 Δ
CUBE ICU FT ³	35.1	35.1

Δ DO NOT USE FOR SHIPPING WEIGHT
DO NOT STACK MORE THAN 5 UNIT LOADS HIGH IN STORAGE.
FOR HAZARD CLASSIFICATION SEE SW020-AC-SAF-010/020/030



SHIPPING (PACKING) CONDITION
MK 87 MOD 0 53711-5206224
MK 89 MOD 0 53711-5206226

FOR UNIT LOAD QUALIFICATION
SEE NWSE TEST REPORT #93046



AMSC NO. - N/A

DISTRIBUTION STATEMENT A
APPROVED FOR PUBLIC RELEASE:
DISTRIBUTION IS UNLIMITED.

NOTE:
UNLESS OTHERWISE SPECIFIED, DIMENSIONS ARE IN INCHES.
FOR CROSS REFERENCE TO ASSOCIATED TRUCKLOADING,
CONTAINERLOADING AND CARLOADING MILITARY
STANDARDS, REFER TO INDEX TO STANDARDS,
MIL-HDBK-236 (NAVY).

FSC 8140

REV LTR	REVISION DESCRIPTION	DATE	TDA	SYSCOM
			APPROVAL	

THIS UNIT LOAD IS AUTHORIZED AND RELEASED FOR SHIPPING, HANDLING, STORAGE AND TRANSFER-AT-SEA. IT MAY ALSO BE USED FOR DOMESTIC SHIPMENT IN COMPLIANCE WITH DOT REGULATIONS.

REQUIREMENTS FOR CONSTRUCTION OF THIS UNIT LOAD SHALL CONSIST OF THIS DOCUMENT AND THE LATEST ISSUE OF MIL-STD-1323 (NAVY).

SIGNATURE TDA, WPNSTA EARLE DATE 8-26-93

SIGNATURE SEASYSYCOM BY DIRECTION DATE

ORIGINATOR _____ DATE

WPNSTA EARLE, NEW JERSEY

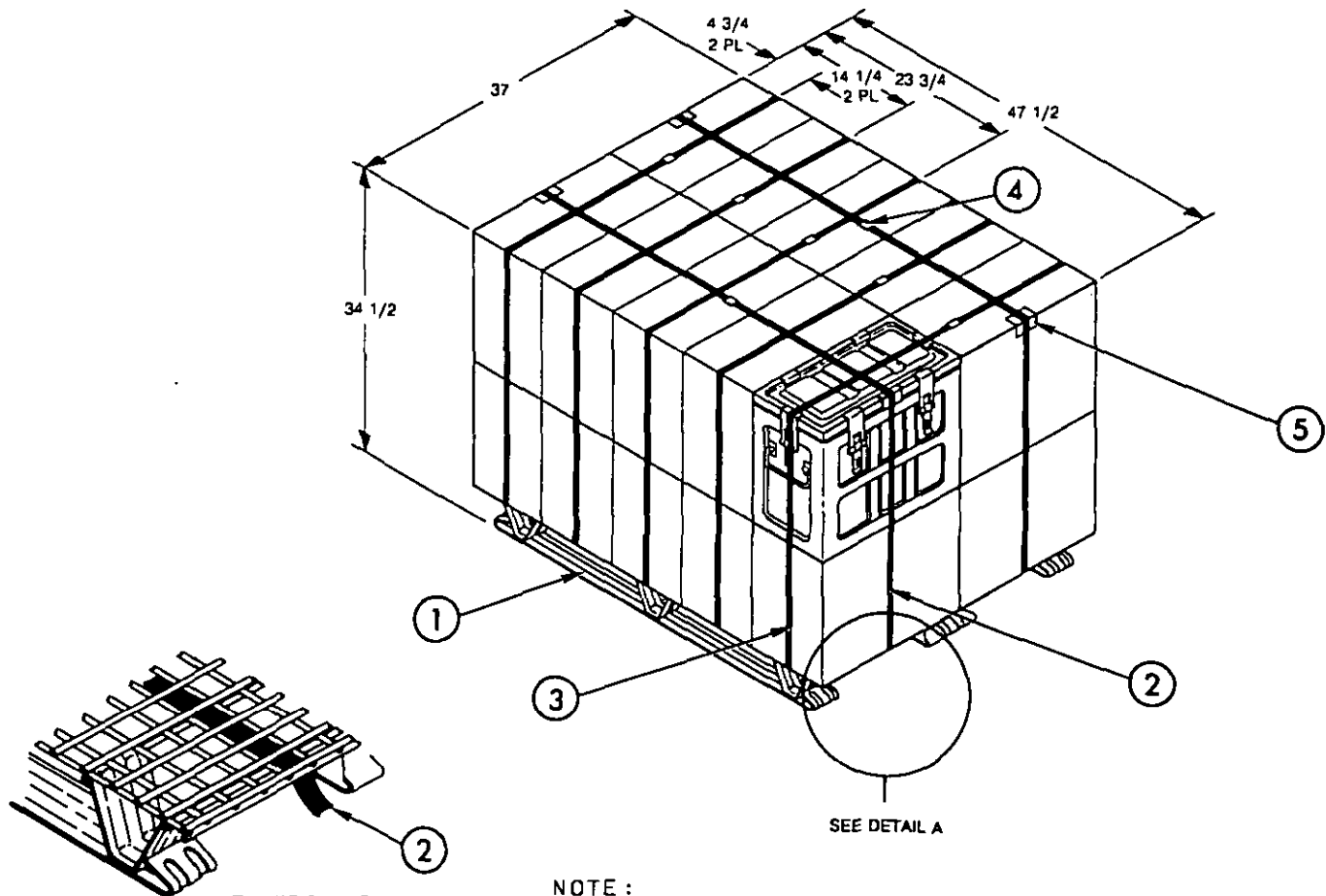
MIL-STD-1323-395 (NAVY)

UNITIZING PROCEDURE

- (A) THREAD LONGITUDINAL STRAPS, ITEM 2, BETWEEN DECK WIRES OF PALLET, ITEM 1, AS SHOWN IN DETAIL A.
- (B) POSITION CONTAINERS ON THE PALLET WITH EQUAL OVERHANG ON BOTH SIDES AND BOTH ENDS.
- (C) POSITION LATERAL STRAPS, ITEM 3, UNDER THE PALLET DECK AND AROUND CONTAINERS. TENSION AND DOUBLE NOTCH SEAL, ITEM 4.
- (D) POSITION LONGITUDINAL STRAPS, ITEM 2, OVER EDGE PROTECTORS, ITEM 5, AND AROUND UNIT LOAD. TENSION AND DOUBLE NOTCH SEAL, ITEM 4.

MARKING:

IN ADDITION TO ANY SPECIAL MARKING REQUIRED BY CONTRACT OR ORDER, THE UNIT LOAD SHALL BE MARKED IN ACCORDANCE WITH MIL-STD-129 (NAVY).



THREAD STRAPPING BETWEEN THE 5th AND 6th WIRES. 2 PL

DETAIL A

NOTE:

ALL MATERIALS SHALL BE IN ACCORDANCE WITH THE GENERAL DOCUMENT, MIL-STD-1323 (NAVY).

DEUNITIZING PROCEDURE

- (A) CUT AND REMOVE STRAPS.
- (B) REMOVE EDGE PROTECTORS.
- (C) REMOVE CONTAINERS.

4	5	EDGE PROTECTOR	STEEL	
7	4	SEAL	STEEL	3/4
5	3	LATERAL STRAP	STEEL	3/4 X .035 X 12 FT
2	2	LONGITUDINAL STRAP	STEEL	3/4 X .035 X 14 FT
1	1	PALLET, MK 12 MOD 1	2645217	35 X 45 1/2 X 4 3/4
REQ'D	ITEM	DESCRIPTION	MAT'L/DWG	DIMENSIONS

LIST OF MATERIALS

PREPARING ACTIVITY:
NAVY-OS
(PROJECT NO. 8140-0118)