

# MILITARY STANDARD

MIL-STD-1323-373  
(NAVY)

## UNIT LOAD

20 MARCH 1991

### FOR UNDERWAY REPLENISHMENT

DECOY, TRANSPONDER, COUNTERMEASURES RT-1489/ALE  
GENERIC EXPENDABLE DECOY ( GEN-X )  
IN CONTAINER, CNU-487/E

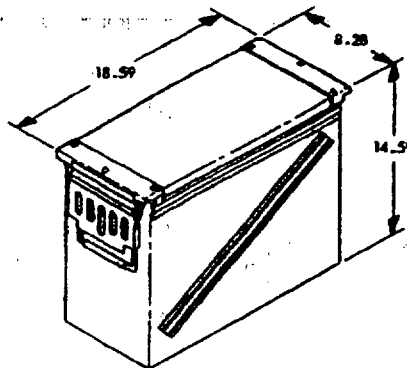
#### UNIT LOAD DATA

NUMBER OF DECOYS PER CONTAINER..... 20  
NUMBER OF CONTAINERS PER UNIT LOAD..... 24  
NUMBER OF DECOYS PER UNIT LOAD..... 720  
GROSS WEIGHT OF ONE CONTAINER..... 46 LBS  
WEIGHT OF WOOD FRAMES ..... 24 LBS  
WEIGHT OF STEEL STRAPPING..... 6 LBS  
WEIGHT OF PALLET..... 96 LBS  
GROSS WEIGHT OF UNIT LOAD..... 1230 LBS Δ  
CUBE ..... 39.3 CU FT

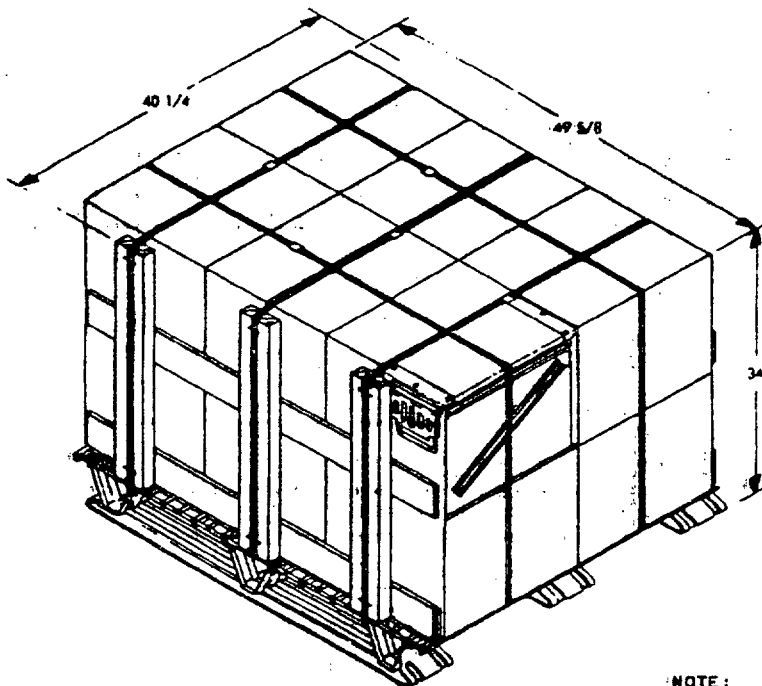
Δ DO NOT USE FOR SHIPPING WEIGHT

DO NOT STACK MORE THAN 5 UNIT LOADS HIGH IN STORAGE.

HAZARD CLASSIFICATION: NONE



CNU-487/E  
DL 1995AS200



AMSC NO. - N/A

**DISTRIBUTION STATEMENT A**  
APPROVED FOR PUBLIC RELEASE:  
DISTRIBUTION IS UNLIMITED.

**NOTE:**

UNLESS OTHERWISE SPECIFIED, DIMENSIONS ARE IN INCHES.

FOR CROSS REFERENCE TO ASSOCIATED TRUCKLOADING,  
CONTAINERLOADING AND CARLOADING MILITARY  
STANDARDS, REFER TO INDEX TO STANDARDS,  
MIL-HDBK-236 (NAVY).

FSC 8140

REV LTR	REVISION DESCRIPTION	DATE	TDA	SYSCOM
			APPROVAL	

THIS UNIT LOAD IS AUTHORIZED AND RELEASED FOR SHIPPING, HANDLING, STORAGE AND TRANSFER-AT-SEA. IT MAY ALSO BE USED FOR DOMESTIC SHIPMENT IN COMPLIANCE WITH DOT REGULATIONS.

REQUIREMENTS FOR CONSTRUCTION OF THIS UNIT LOAD SHALL CONSIST OF THIS DOCUMENT AND THE LATEST ISSUE OF MIL-STD-1323 (NAVY).

Signature: *[Signature]* 3/20/91 DATE  
TDA: WPNSTA EARLE  
Signature: *[Signature]* 3/20/91 DATE  
AIR SYSCOM BY DIRECTION

ORIGINATOR: *[Signature]* 3/20/91 DATE

WPNSTA EARLE, NEW JERSEY

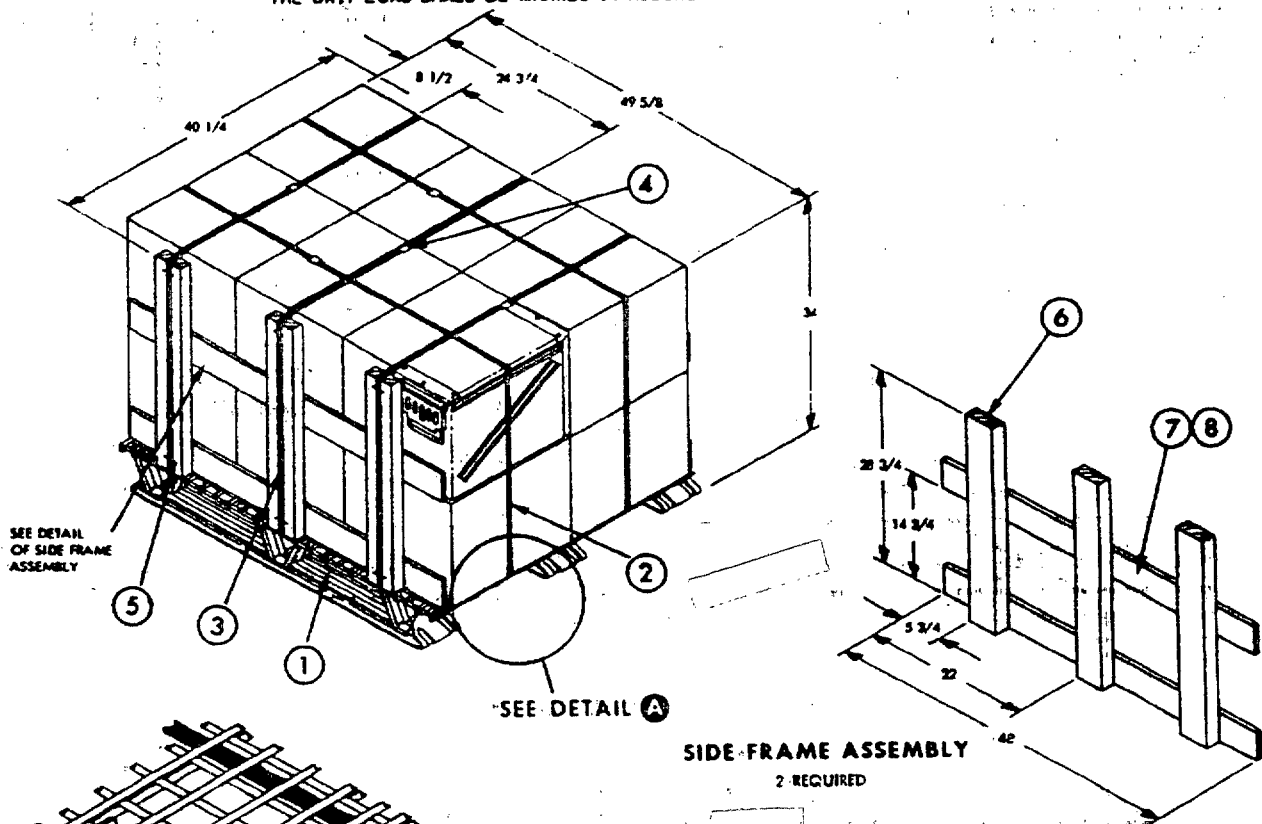
MIL-STD-1323-373 (NAVY)

### PALLETIZING PROCEDURE

- (A) THREAD STRAPPING, ITEM 2, BETWEEN DECK WIRES OF PALLET, ITEM 1, AS SHOWN IN DETAIL A.
- (B) POSITION CONTAINERS ON PALLET DECK WITH EQUAL UNDERHANG ON BOTH SIDES AND EQUAL OVERHANG ON BOTH ENDS.
- (C) POSITION STRAPPING, ITEM 2, AROUND THE UNIT LOAD, TENSION AND DOUBLE NOTCH THE SEAL, ITEM 4.
- (D) POSITION STRAPPING ITEM 3, UNDER THE PALLET DECK AND AROUND THE PREFABRICATED SIDE FRAME ASSEMBLIES, TENSION AND DOUBLE NOTCH THE SEAL, ITEM 4.
- (E) SECURE STRAPPING TO VERTICAL BATTENS OF THE SIDE FRAMES WITH STAPLES ITEM 5 AS SHOWN.

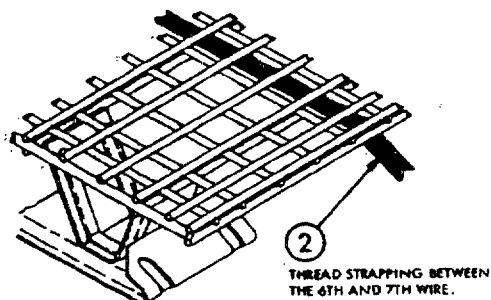
**MARKING:**

IN ADDITION TO ANY SPECIAL MARKING REQUIRED BY CONTRACT OR ORDER, THE UNIT LOAD SHALL BE MARKED IN ACCORDANCE WITH MIL-STD-1323 (NAVY).



**NOTES:**

- 1. ALL MATERIALS SHALL BE IN ACCORDANCE WITH THE BASIC DOCUMENT, MIL-STD-1323 (NAVY).
- 2. DO NOT USE TYPE I STRAPPING WITH POWER TOOLS.



**DETAIL A**

### DEPALLETIZING PROCEDURE

- (A) REMOVE STAPLES.
- (B) CUT AND REMOVE STRAPPING.
- (C) REMOVE SIDE FRAMES.
- (D) REMOVE CONTAINERS.

REQ'D	ITEM	DESCRIPTION	MAT'L/DWG	DIMENSIONS
3 PER JOINT	8	NAIL, BOX	SEE NOTE 1	6D
4	7	HORIZONTAL BATTEN, PLYWOOD	SEE NOTE 1	1/2 X 4 X 48
6	6	VERTICAL BATTEN, DRESSED WOOD	SEE NOTE 1	2 X 4 X 28 3/4
12	5	STAPLES	SEE NOTE 1	3/4
5	4	SEAL	SEE NOTE 1	3/4
3	3	STRAPPING, STEEL	SEE NOTES 1 & 2	3/4 X .035 X 13 FT
2	2	STRAPPING, STEEL	SEE NOTES 1 & 2	3/4 X .035 X 14 FT 6
1	1	PALLET, MK 3 MOD 0	564200	40 X 48 4 3/4

### LIST OF MATERIALS

REVIEW ACTIVITY:  
NAVY-05

PREPARING ACTIVITY:  
NAVY-05  
(PROJECT NO. 8140-N968)

