

MILITARY STANDARD

MIL-STD-1322-114

UNIT LOAD

(NAVY)

FOR DOMESTIC AND OVERSEAS SHIPMENT
AN/SSQ-110 SONOBUOY (IN SONOBUOY LAUNCH CONTAINER)
PACKED IN 36 UNIT BAYONET PALLET DL #1458AS100

12 OCTOBER 1993

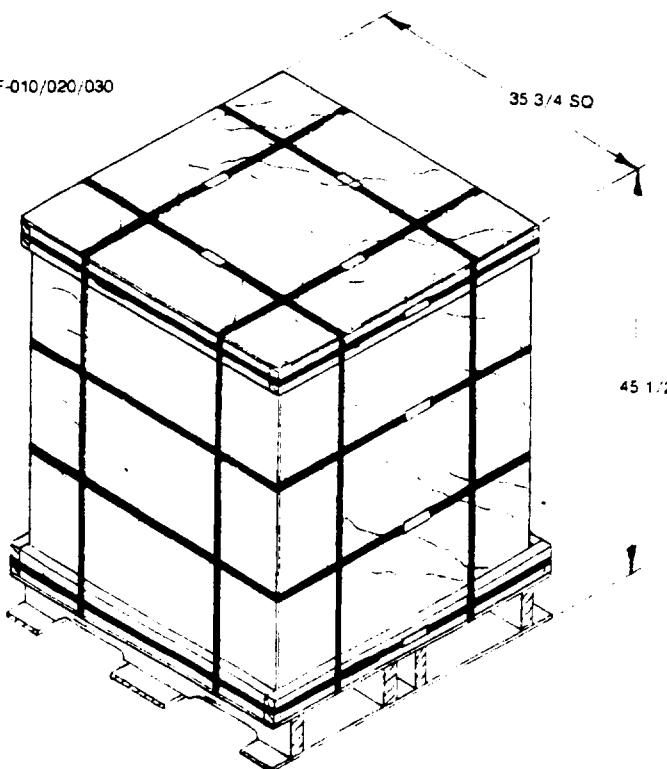
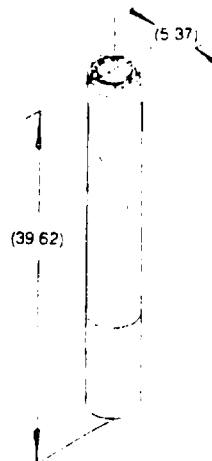
UNIT LOAD DATA

NO OF SONOBUOY/PALLET _____ 36
 WEIGHT OF ONE SONOBUOY _____ 45 LBS
 WEIGHT OF BAYONET BASE PALLET _____ 110 LBS
 WEIGHT OF STEEL STRAPPING _____ 2.5 LBS
 GROSS WEIGHT OF UNIT LOAD _____ 1733 LBS Δ
 CUBE _____ 33.7 CU FT

Δ DO NOT USE FOR SHIPPING WEIGHT

DO NOT STACK MORE THAN
4 UNIT LOADS HIGH IN STORAGE

FOR HAZARD CLASSIFICATION SEE SW020-AC-SAF-010/020/030



AMSC NO. - N/A

DISTRIBUTION STATEMENT A
APPROVED FOR PUBLIC RELEASE:
DISTRIBUTION IS UNLIMITED.

NOTES:

- UNLESS OTHERWISE SPECIFIED DIMENSIONS ARE IN INCHES.
- FOR CROSS REFERENCE TO ASSOCIATED TRUCKLOADING, CONTAINERLOADING AND CARLOADING MILITARY STANDARDS, REFER TO INDEX TO STANDARDS, MIL-HDBK 236 (NAVY).

REV	DATE	BY	DESCRIPTION
1	93 10 12	W.A. ABLE	INITIALS
2	93 10 12	W.A. ABLE	INITIALS

THIS UNIT LOAD IS AUTHORIZED AND RELEASED FOR DEPOT HANDLING AND STORAGE AND FOR SHIPMENT BY COMMON CARRIER.

REQUIREMENTS FOR CONSTRUCTION OF THIS UNIT LOAD SHALL CONSIST OF THIS DOCUMENT AND THE LATEST ISSUE OF MIL-STD-1322 (NAVY).

ORIGINATOR

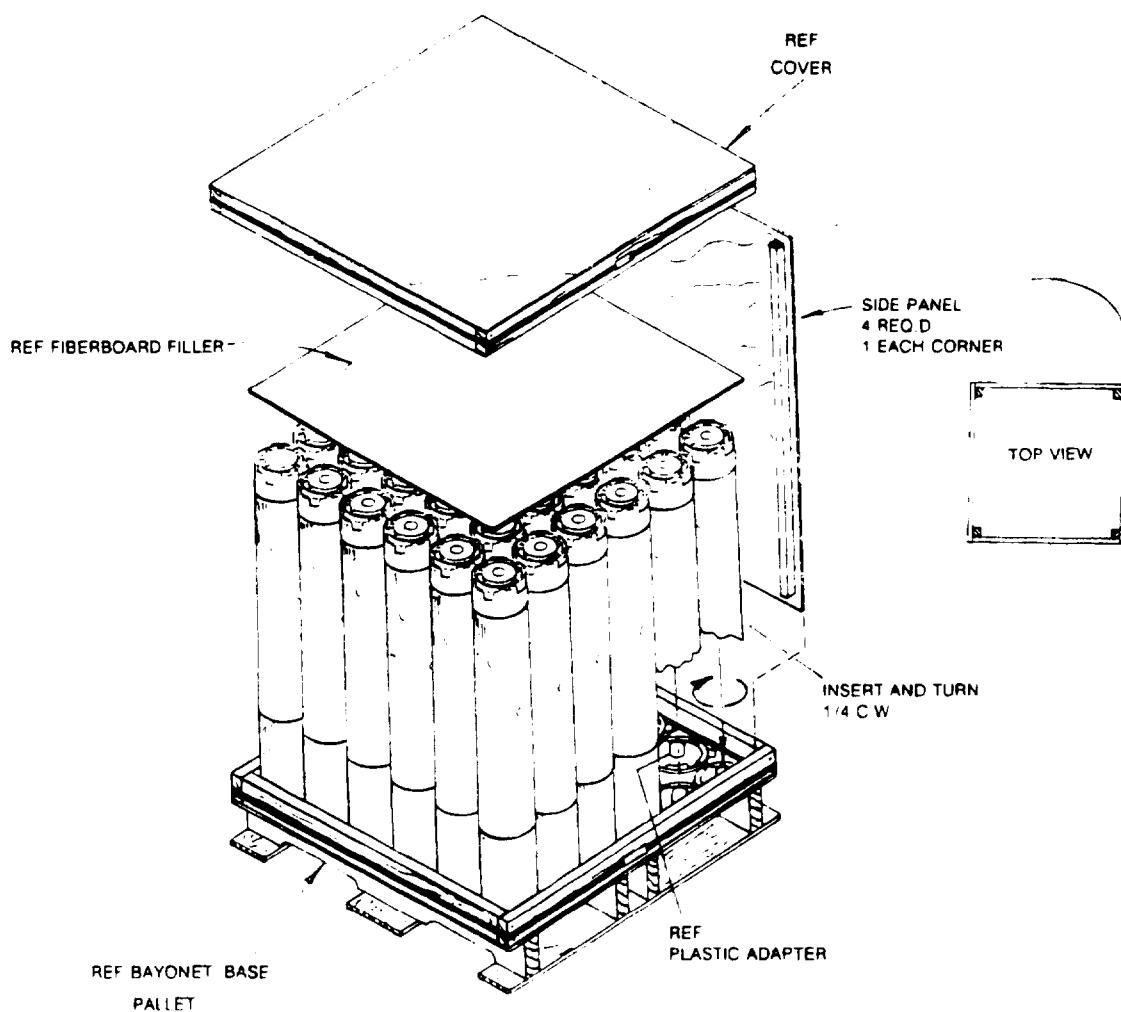
93-10-12

WPNSTA EARLE, NEW JERSEY

PACKING PROCEDURE

- a PLACE 36 SONOBOUYS IN PLASTIC ADAPTER AT BOTTOM OF BAYONET BASE PALLET BY INSERTING BOUY INTO PROTRUSION OF ADAPTER AND TURNING 1/4 TURN CLOCKWISE AS SHOWN
- b PLACE (4) SIDE PANELS AROUND BOUYS AND INSIDE FRAME OF PALLET IN ORIENTATION AS SHOWN
- c TO INSURE A TIGHT PACK PLACE (1) FIBERBOARD SHEET OVER BOUYS AS SHOWN
- d PLACE COVER OVER LOAD

FOR UNITIZING PROCEDURE
SEE PAGE 3

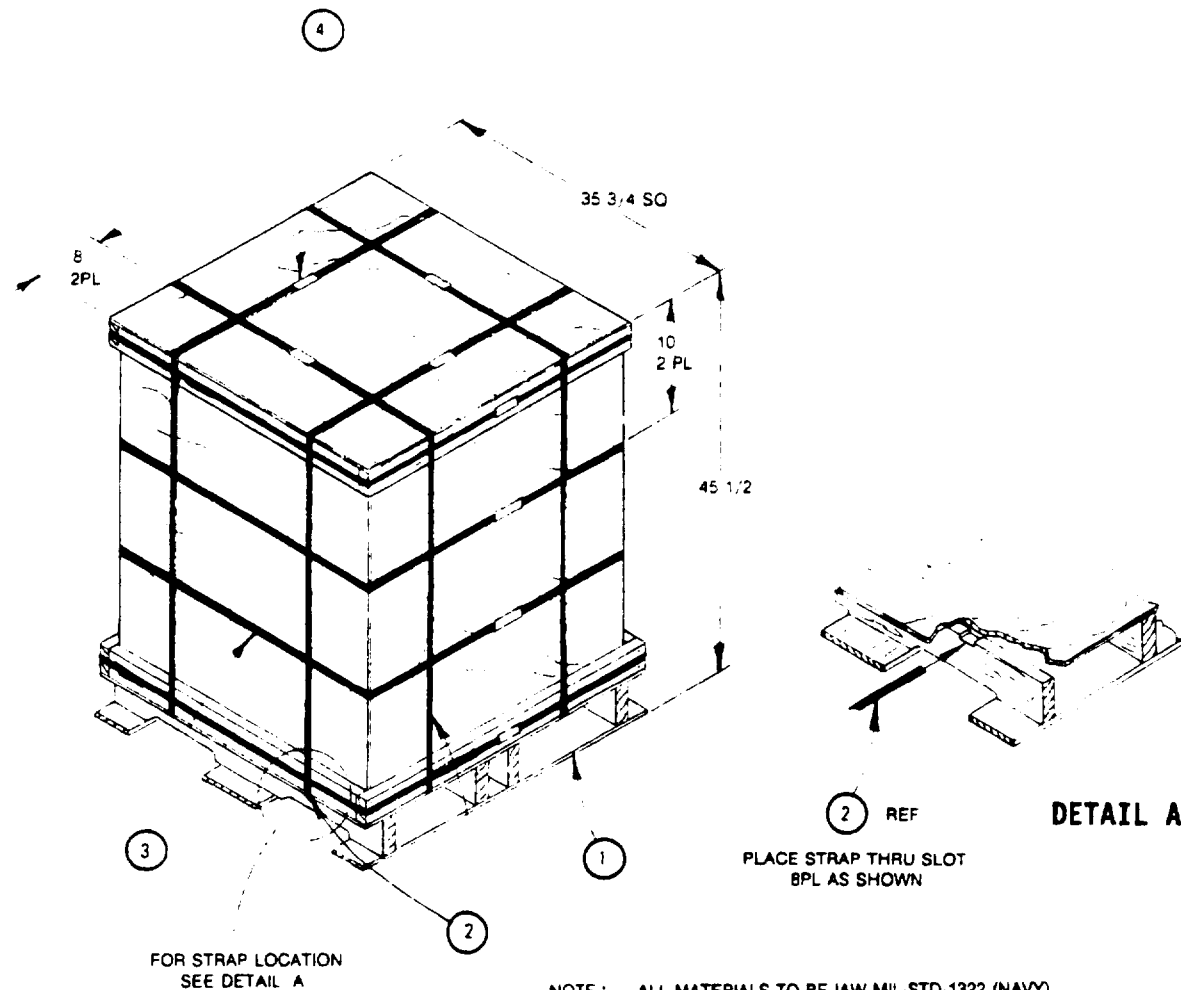


UNITIZING PROCEDURE

- A PLACE (2) PCS OF GIRTHWISE STRAPPING, ITEM 3, AROUND LOAD WITHIN DIMENSIONS SHOWN
- B TENSION GIRTHWISE STRAPPING ITEM 3, AND DOUBLE NOTCH SEALS ITEM 4
- C PLACE (2) PCS OF VERTICAL STRAPPING, ITEM 2, THRU SLOT IN PALLET LEGS AS SHOWN IN DETAIL A, AND ON OVER LOAD AS SHOWN. PLACE REMAINING (2) PCS OF VERTICAL STRAPPING UNDER PALLET DECK AND OVER LOAD WITHIN DIMENSIONS SHOWN
- D TENSION VERTICAL STRAPPING, ITEM 2, AND DOUBLE NOTCH SEALS, ITEM 4

MARKING

IN ADDITION TO ANY SPECIAL MARKING REQUIRED BY CONTRACT OR ORDER, THE UNIT LOAD SHALL BE MARKED IAW MIL-STD-129



DEUNITIZING PROCEDURE

- 1 CUT AND REMOVE ALL STRAPPING
- 2 REMOVE COVER AND FIBERBOARD PC
- 3 REMOVE SIDE PANELS
- 4 REMOVE SONOBOUYS BY TURNING 1/4 TURN C C W AND LIFT UP

REQ	ITEM	DESCRIPTION	MAT'L/DWG	DIMENSIONS
6	4	SEAL	STEEL	FOR 3/4 STRAPPING
2	3	STRAPPING GIRTHWISE	STEEL	(031 OR 035) X 3/4 X 13 FT 6
4	2	STRAPPING VERTICAL	STEEL	(031 OR 035) X 3/4 X 15 FT
	1	BAYONET BASE PALLET	1458AS100	

LIST OF MATERIALS

REVIEW AND SIGN

NAVTAS

PREPARED BY

NAVY OS